



# MODEL SPECIFIC GUIDE

## Hidden Hinge Version

**Model 1090 GMC Sierra Std/Ext/Crew Cab**  
**6.5' Short Bed 2007-2013 (also fits 2014 Sierra 2500hd)**

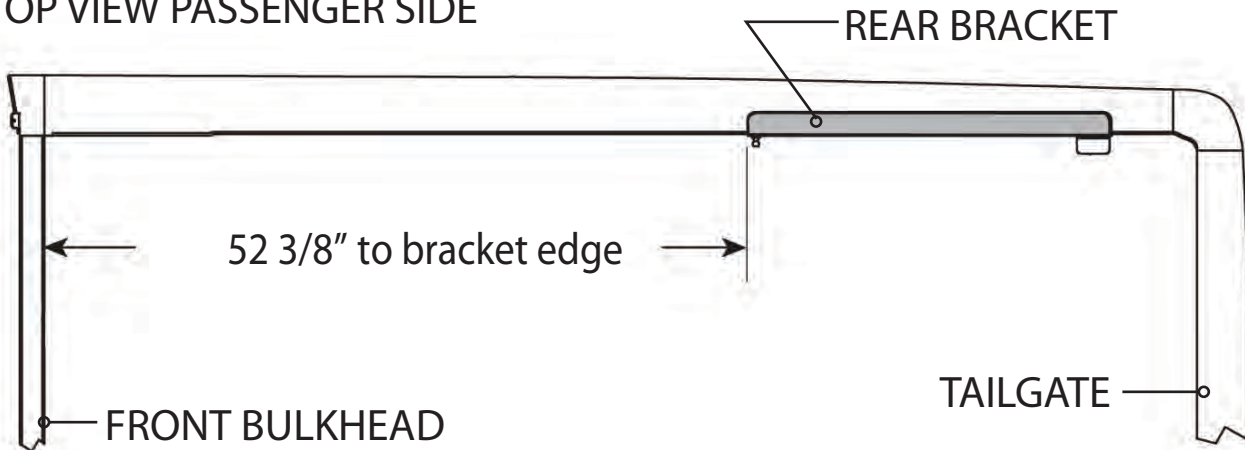


Note: If your truck is equipped with a spoiler style tailgate piece, you will need to replace it with a standard smooth style tailgate piece like the photo to the left.

### RE: Step 2 on the Quick Start Guide

Measurement for the rear mounting bracket is  $52\frac{3}{8}$ " from the back side of the bulkhead to the front edge of the bracket.

#### TOP VIEW PASSENGER SIDE

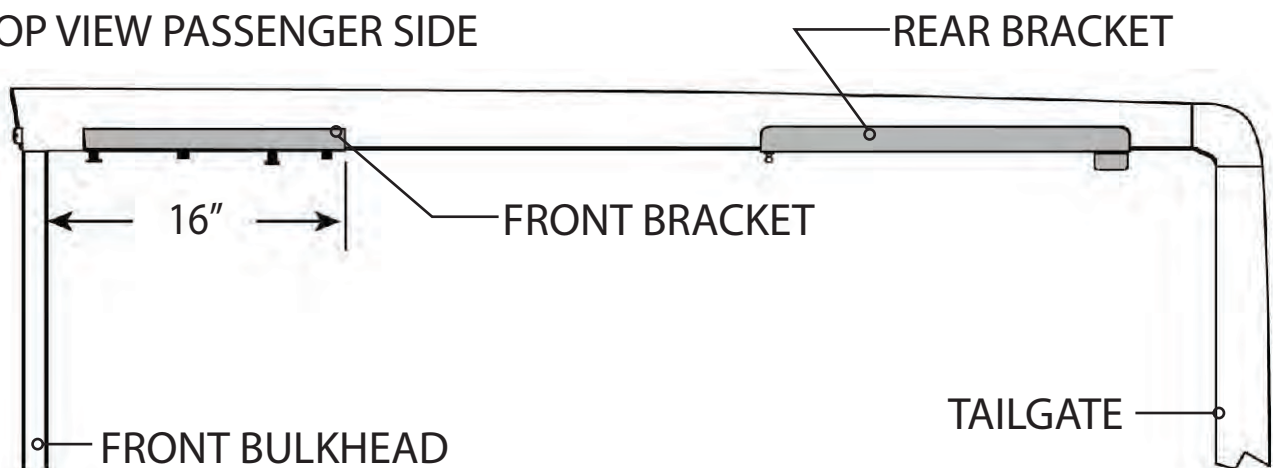


### RE: Step 3 on the Quick Start Guide

Measurement for the front mounting bracket is  $16$ " from the back side of the bulkhead to the end of the bracket.

The fit of the cover to the truck bed is determined by the front mounting brackets. This measurement is a good starting point. Unfortunately not all truck beds are assembled 100% square, so some adjustments may be necessary after the cover is set on the truck.

#### TOP VIEW PASSENGER SIDE



UnderCover, Inc.  
P.O. Box 620  
Rogersville, MO 65742  
(417) 753-8000  
(866) 900-8800

www.undercoverinfo.com  
sales@undercoverinfo.com