



MODEL SPECIFIC GUIDE

Hidden Hinge Version

Model 1010 Chevy Silverado / GMC Sierra Std/Ext/Crew Cab
6.5' Short Bed 1999-2007 *(will not fit 2007 new body style)*

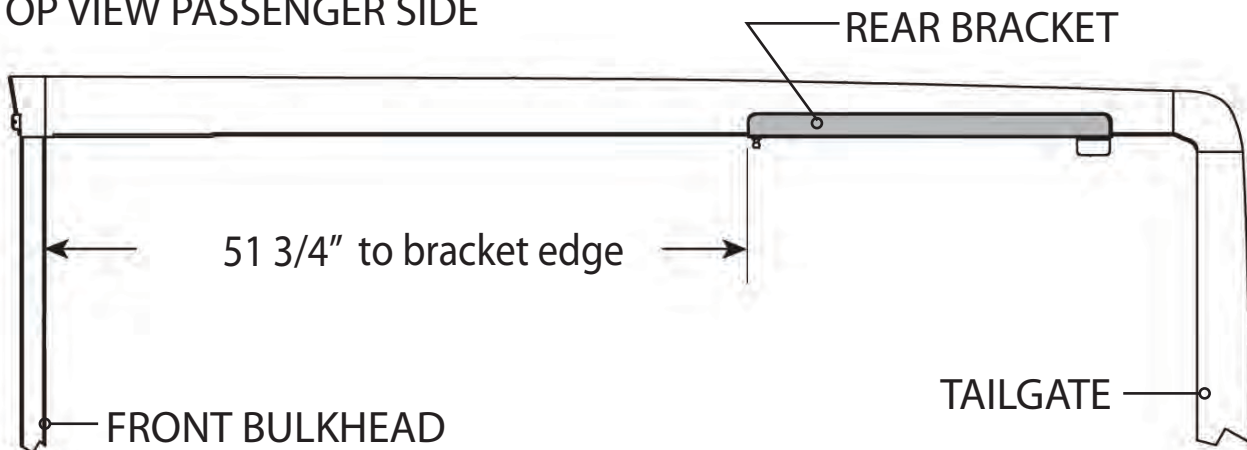


Note: If your truck is equipped with a spoiler style tailgate piece, you will need to replace it with a standard smooth style tailgate piece like the photo to the left.

RE: Step 2 on the Quick Start Guide

Measurement for the rear mounting bracket is 51 3/4" from the back side of the bulkhead to the front edge of the bracket.

TOP VIEW PASSENGER SIDE

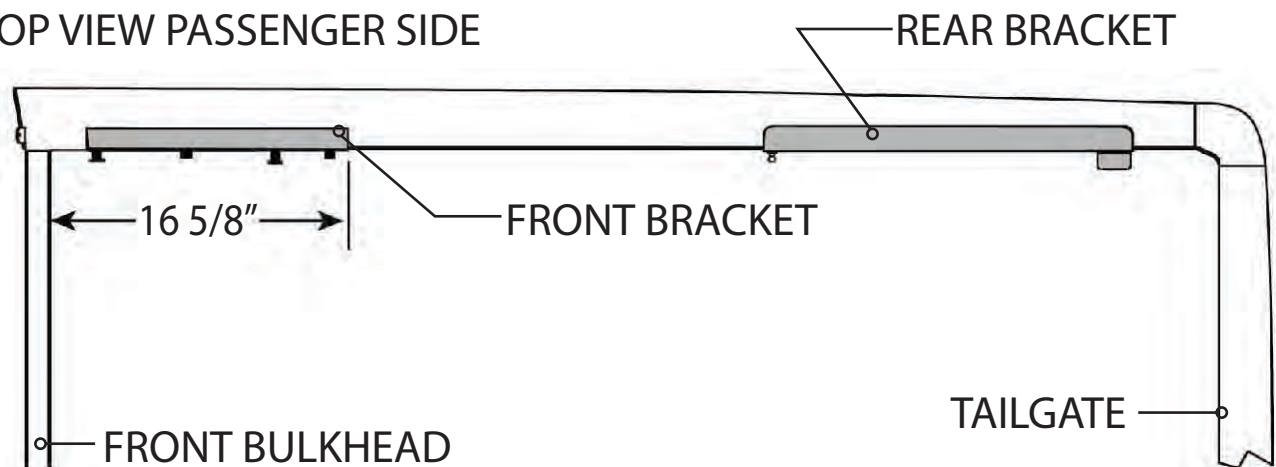


RE: Step 3 on the Quick Start Guide

Measurement for the front mounting bracket is 16 5/8" from the back side of the bulkhead to the end of the bracket.

The fit of the cover to the truck bed is determined by the front mounting brackets. This measurement is a good starting point. Unfortunately not all truck beds are assembled 100% square, so some adjustments may be necessary after the cover is set on the truck.

TOP VIEW PASSENGER SIDE



UnderCover, Inc.
P.O. Box 620
Rogersville, MO 65742
(417) 753-8000
(866) 900-8800

www.undercoverinfo.com
sales@undercoverinfo.com