



INSTALLATION INSTRUCTIONS

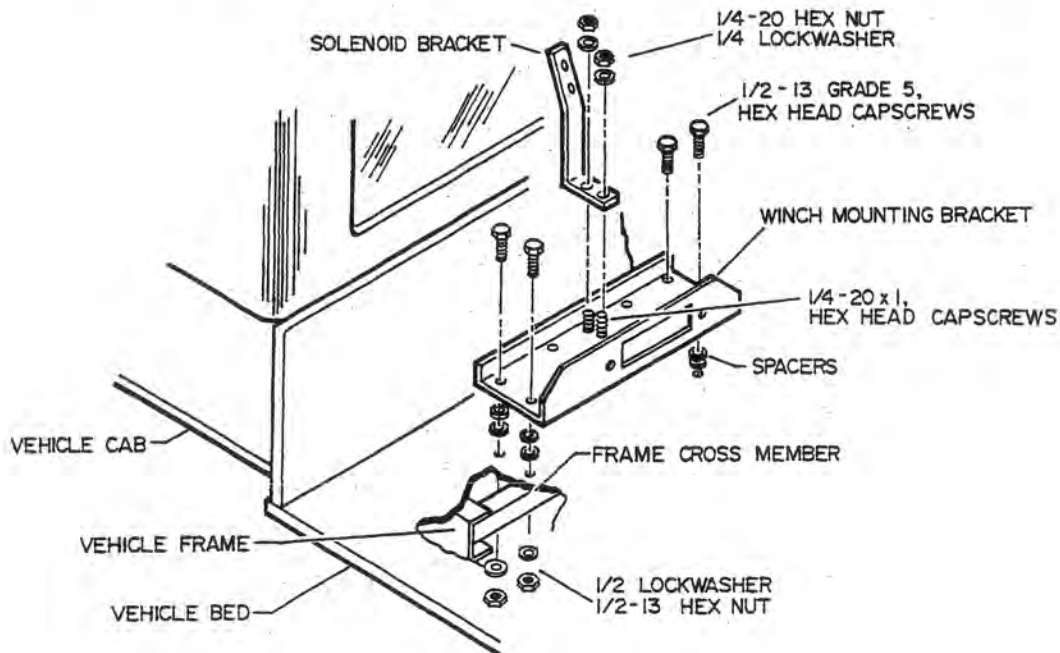
UNIVERSAL WINCH MOUNT BRACKET 5000 lb. WINCH & Kit No. 13942

PARTS LIST

PART NO.	QUANTITY	DESCRIPTION
13588	1	BRACKET, WINCH MOUNT
13557	1	BRACKET, CONTROL PACK

NOTE: ATTACH THE WARN M5000 WINCH AND FAIRLEAD TO THE WINCH MOUNTING BRACKET BEFORE ASSEMBLING THE WINCH MOUNTING KIT. SEE WINCH INSTALLATION INSTRUCTIONS. DO NOT CONNECT ELECTRICAL CABLES.

1. Attach the solenoid bracket to the winch mounting bracket with two 1/4 - 20 x 1" hex head capscrews, lockwashers and hex nuts. Torque to 9 lb. ft. (12.2 N-m)
2. Locate the winch in the desired position on the bed of the vehicle. The location should be in such a position that the mounting bolts will go thru the cross member of the frame, otherwise additional cross members should be installed for support of the winch.
3. Drill four 1/2 inch holes thru the vehicle bed and cross member using the winch mounting bracket as a guide.
4. Place two spacers at each of the four mounting holes between the winch mounting bracket and the vehicle bed. Secure mounting bracket and spacers to vehicle bed with four 1/2 - 13 hex head capscrews (grade 5 minimum), lockwashers and 1/2 - 13 hex nuts. Torque to 75 lb. ft. (101.7 N-m) See figure 1.



5. Complete the winch installation as described in the Warn Model 5000 Installation Instructions.



WARN® ATV/ UTILITY/ MOUNTING SYSTEM/ ACCESSORY PRODUCTS

LIMITED ONE (1) YEAR WARRANTY STATEMENT

Warn Industries, Inc. (WARN) warrants to the original purchaser that the mechanical components and electrical components of the "WARN" Products specified below will be free of defects in material and workmanship for a period of one (1) year from the original date of purchase. This Warranty applies only to the original purchaser of the Products. To obtain any warranty service, you must provide WARN with proof of purchase and date of purchase acceptable to WARN, such as a copy of your purchase receipt. This warranty does not cover the removal or reinstallation of the Product. WARN will, at its option, repair, replace or refund the purchase price of a defective Product or component, provided you return the defective Product or component during the warranty period, transportation charges prepaid, to Warn Industries' Service Department or a Factory Authorized Service Center. Attach your name, address, telephone number, a description of the problem, and a copy of your receipt and original bill of sale bearing the WARN serial number of the defective Product and date of purchase.

This warranty does not apply (i) to parts or components excluded below, or (ii) if the Product has been damaged by accident, abuse, misuse, collision, overloading, modification, misapplication, improper installation, or improper service. This warranty is void if any WARN serial number has been removed or defaced. Commercial or industrial use or application, or any hoisting application of the Product voids the warranty.

THE WARRANTY SET FORTH ABOVE IS THE ONLY WARRANTY. THERE ARE NO OTHER WARRANTIES, EXPRESS OR IMPLIED, INCLUDING BUT NOT LIMITED TO IMPLIED WARRANTIES OF MERCHANTABILITY OR FITNESS FOR A PARTICULAR PURPOSE.

ANY IMPLIED WARRANTY WHICH BY LAW MAY NOT BE EXCLUDED IS LIMITED IN DURATION TO ONE (1) YEAR FROM THE DATE OF ORIGINAL RETAIL PURCHASE OF THE PRODUCT.

WARN SHALL NOT BE LIABLE FOR SPECIAL, INDIRECT, INCIDENTAL OR CONSEQUENTIAL DAMAGES (INCLUDING, BUT NOT LIMITED TO, LOST PROFITS, DOWN TIME OR LOSS OF USE) UNDER ANY LEGAL THEORY, EVEN IF WARN WAS ADVISED OF THE POSSIBILITY OF SUCH DAMAGES.

Some states do not allow the exclusion of implied warranties or the exclusion or limitation of liability for incidental or consequential damages, or limitations on how long an implied warranty lasts, so the above limitation or exclusion may not apply to you. This warranty gives you specific legal rights. You may also have other rights that vary from state to state.

WARN reserves the right to change Product design without notice. In situations in which WARN has changed a Product design, WARN shall have no obligation to upgrade or otherwise modify previously manufactured Products.

No WARN dealer, agent or employee is authorized to make any modification, extension or addition to this warranty.

Warranty inquiries and Products returned for warranty service should be sent to:

WARN INDUSTRIES, INC
Customer Service Department
12900 SE Capps Road
Clackamas, OR 97015
1-800-543-WARN (1-800-543-9276)
1-503-722-3005 International Fax

Products covered by this Warranty

ATV Winch Products
Utility Winch Products
Winch Mounting Systems, Bumpers, Body Armor
ATV Mounting Systems & Bumpers
ATV Disconnect
All Accessories
ATV Plows, Lifts & Mounting Systems

Products Not Covered by this Warranty

Finish and Wire Rope for ATV Winch Products
Finish and Wire Rope for Utility Winch Products
Finish to Winch Mounting Systems, Bumpers & Body Armor
Finish to ATV Mounting Systems & Bumpers
Finish to ATV Disconnect
Finish to all accessories and Light Bulbs
Finish to ATV Plows & Mounting Systems
Synthetic Rope