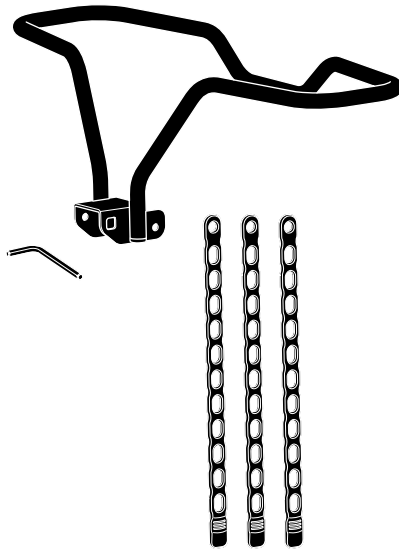
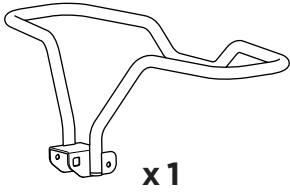


➤ Instructions

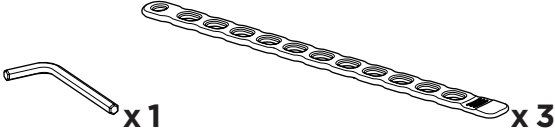
Thule ReVert fatbike wheel basket 9020540



i



x1



x3

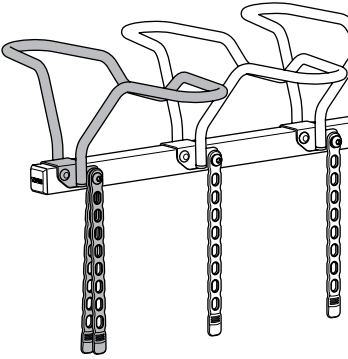


x1

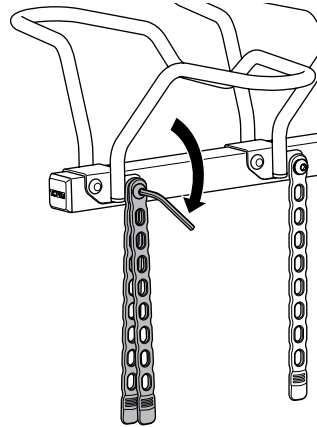


4.4 lbs. (2 kg)

1

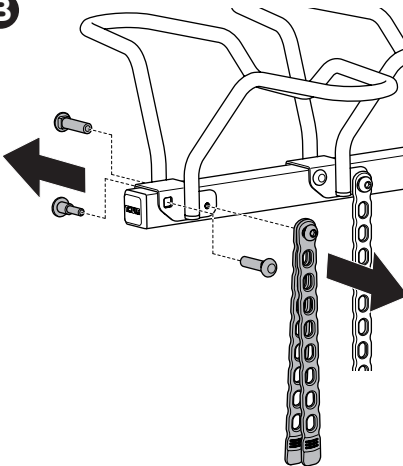


A

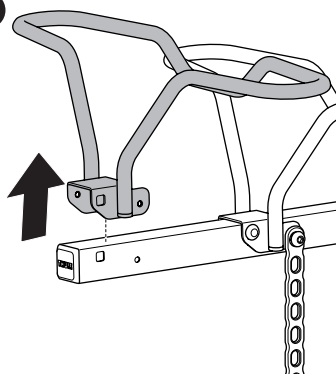


x 2

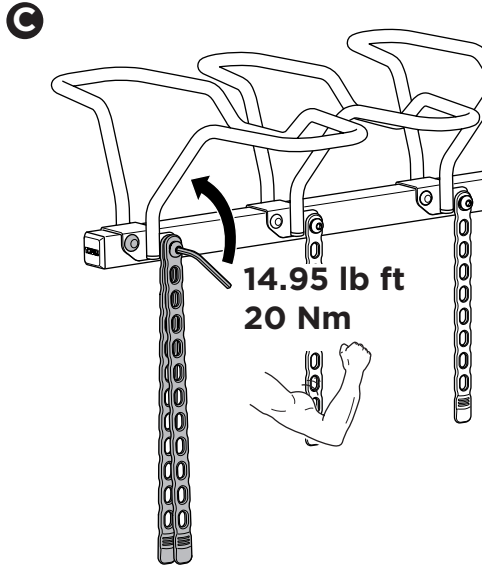
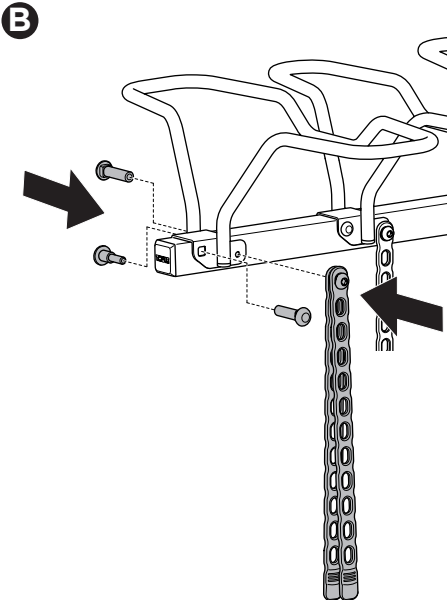
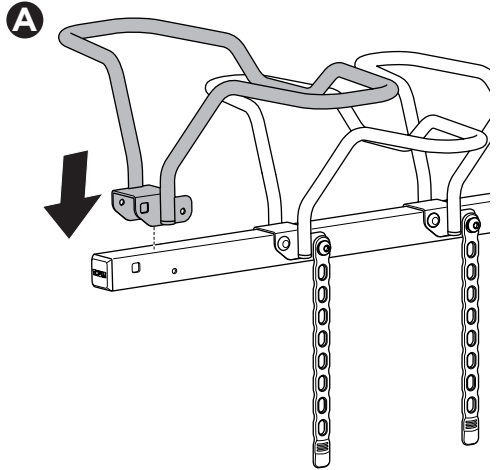
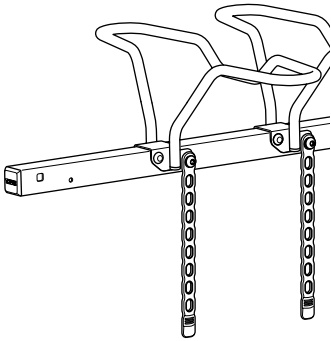
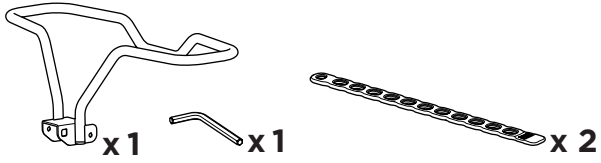
B



C

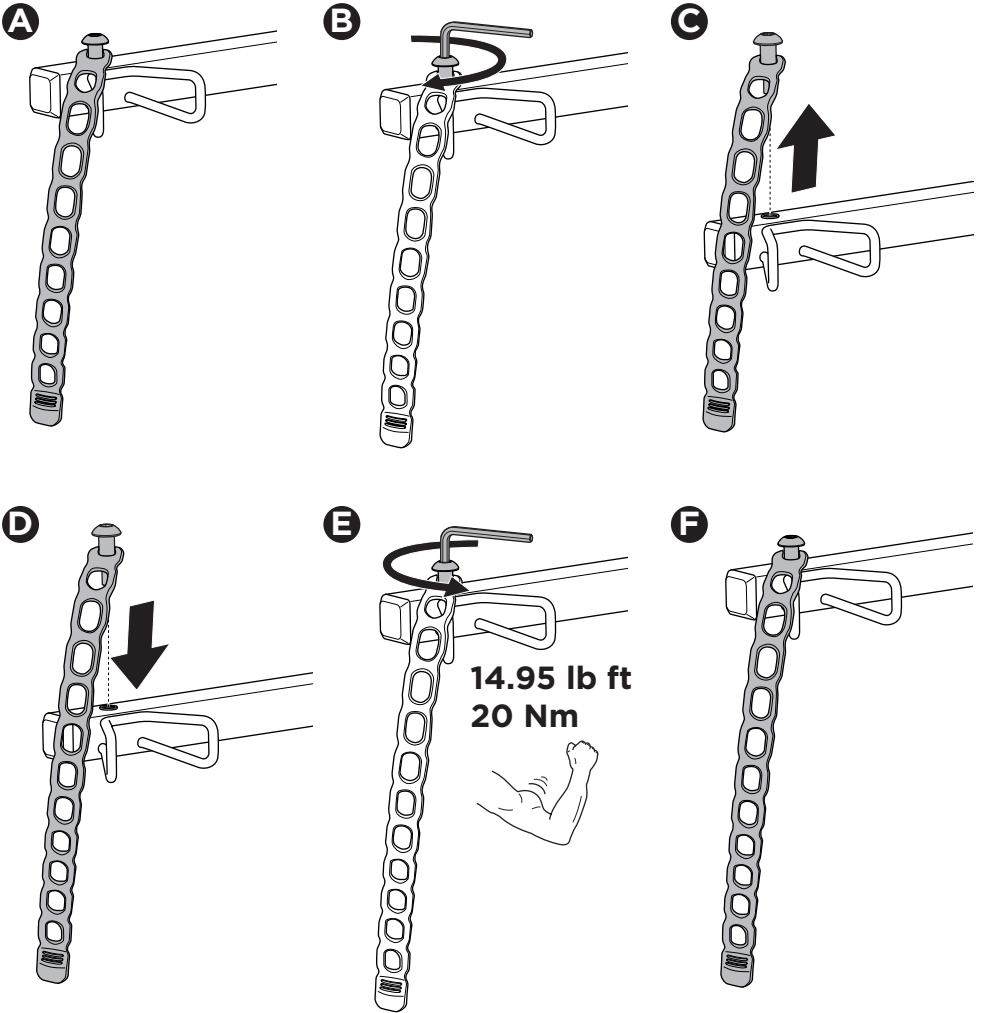


2



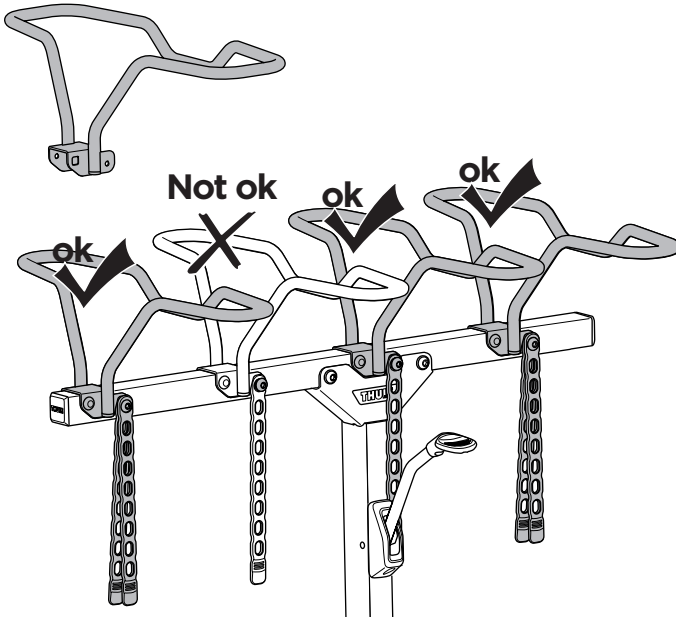
x 2

3

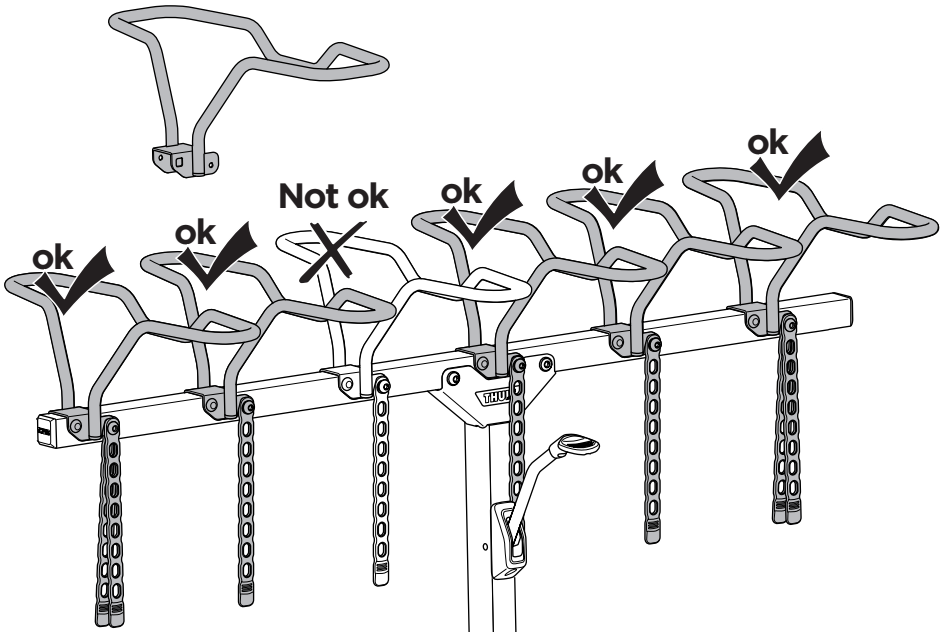




9024500



9026500





Thule Inc. • 42 Silvermine Road • Seymour, CT 06483

Thule Canada Inc. • 710 Bernard • Granby QC J2J 0H6

North American Consumer Service: Toll Free 800-238-2388 / Fax 450-777-3615 • www.thule.com

Register online at
www.thule.com/register