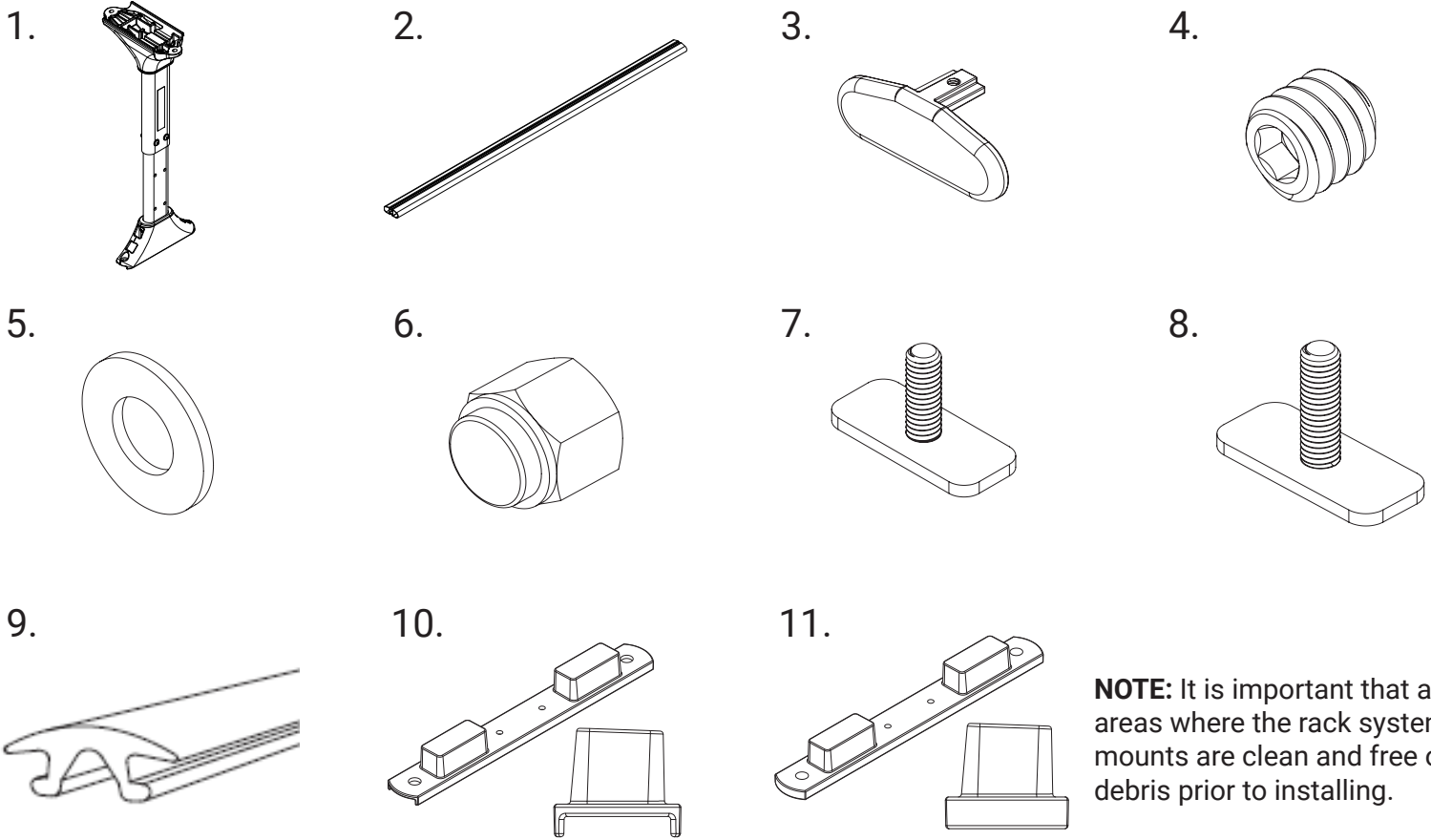


## Components and Hardware:



**NOTE:** It is important that all areas where the rack system mounts are clean and free of debris prior to installing.

## Components and Hardware:

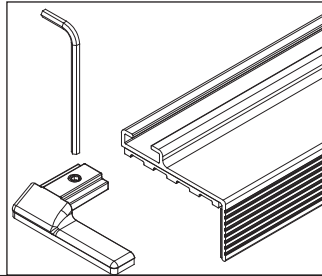
1. Upright Assembly.....	(4)
2. Crossbar .....	(2)
3. Crossbar End Plug .....	(4)
4. Set Screw, 1/4"-20 x .25" .....	(8)
5. Washer, 5/16" .....	(16)
6. Cap Nut, 5/16"-18 .....	(16)
7. T-Bolt, 1" .....	(16)
8. T-Bolt, 1.25" (Used when installing on flat top rail system).....	(8)
9. Channel Guards.....	(2)
10. Support Base Inserts(Used when installed w/ raised t-slot rails)(4)	(4)
11. Support Base Inserts(Used on flush mount rails/covers).....	(4)

## Tools for Installation:

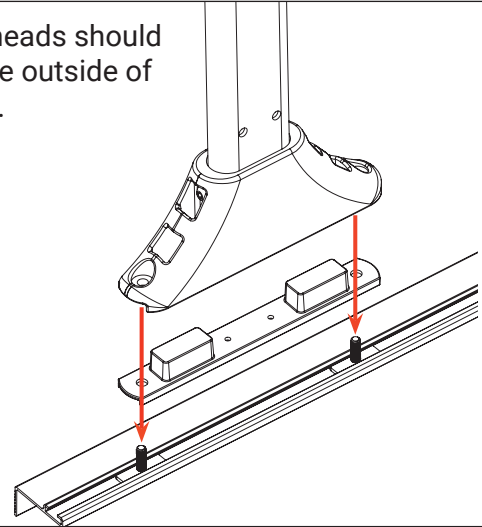
- 3/16" Allen Key (Provided)
- 1/8" Allen Key (Provided)
- 1/2" Wrench or Socket
- Scissors or Cutting Tool

# RealTruck Elevate FS & CS Rack Systems

1. Install Uprights Assemblies (#1) onto t-slot compatible rails. Remove t-slot compatible rail end plug. Slide 2 T-bolts (#7) into each adapter rail. Space the T-bolts (#7) so they align with the holes on the base of the Upright Assembly (#1). Place Support Base Insert (#10 or 11) in between the Upright Assembly (#1) and the rail. **Use T-bolts (#8) if installing on a flush mount rail.**

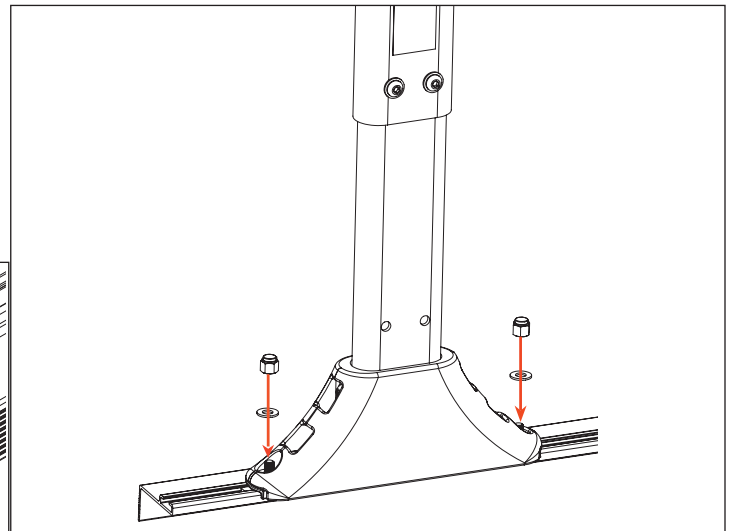
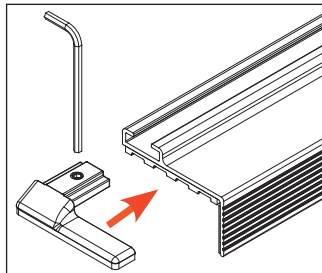


Screw heads should be to the outside of the bed.

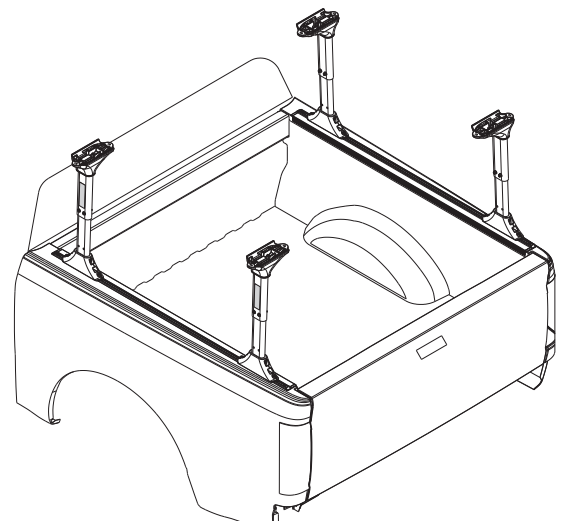
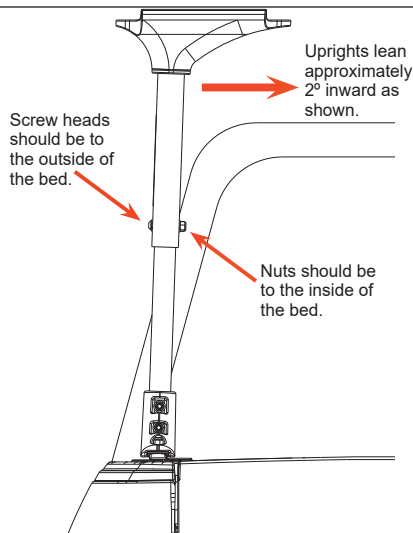


2. Reinstall the rail end plugs. Install Washers (#5) and Cap Nuts (#6) for the Upright Assemblies (#1). Finger tighten for now.

End plugs may vary depending on t-slot rail manufacturer.

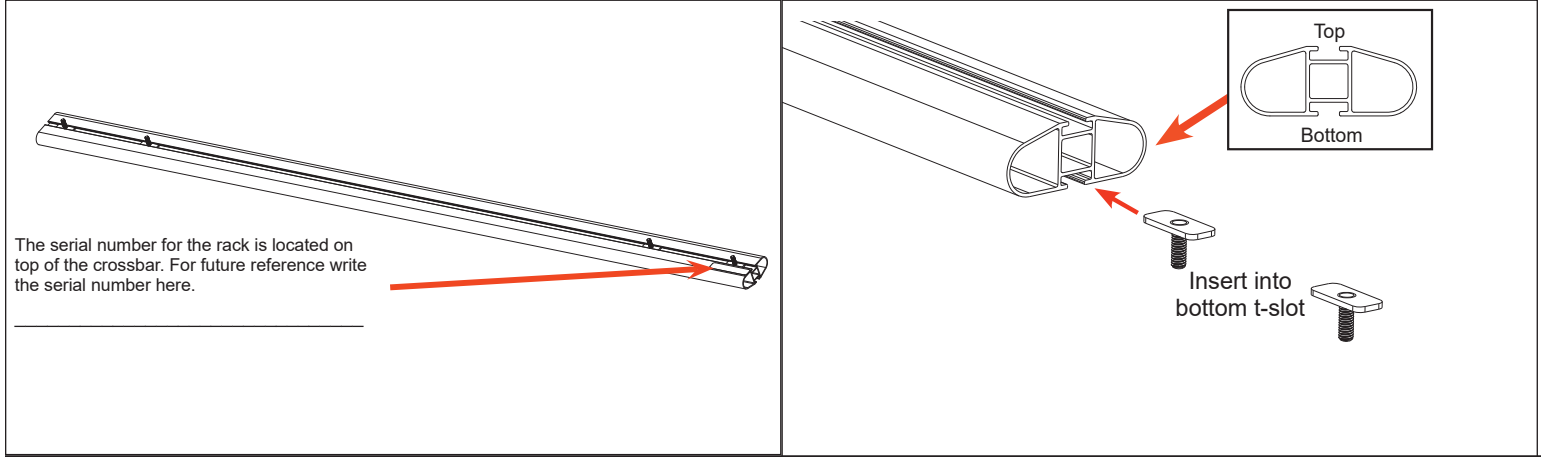


3. After installation is complete, Upright Assemblies (#1) in the correct position will lean slightly to the inside of the truck bed. However, at this time they should move freely. Position Upright Assembly (#1) in the desired location and hand tighten the Washers (#5) and Cap Nuts (#6). **Space front and rear Upright Assemblies (#1) as far apart as possible to support the load.**

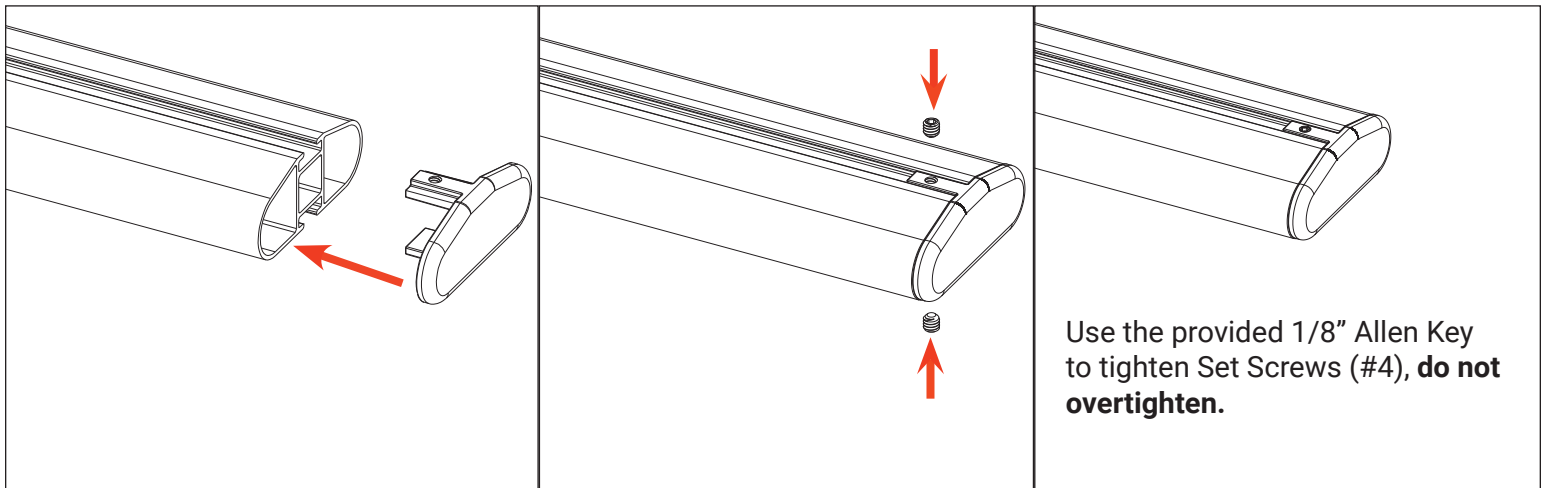


# RealTruck Elevate FS & CS Rack Systems

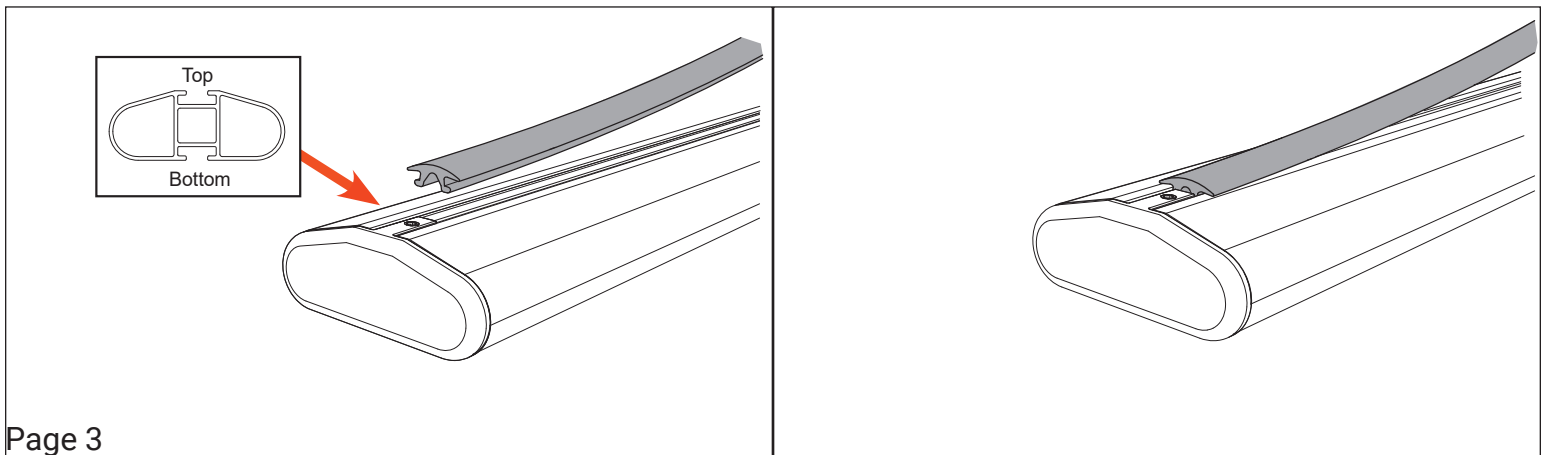
4. Insert 2 T-bolts (#7) into the bottom t-slot of each end of the Crossbar (#2). Repeat on the second Crossbar (#2).



5. Install any t-slot compatible accessories. Then install all 4 Crossbar End Plugs (#3) with Set Screws (#4).

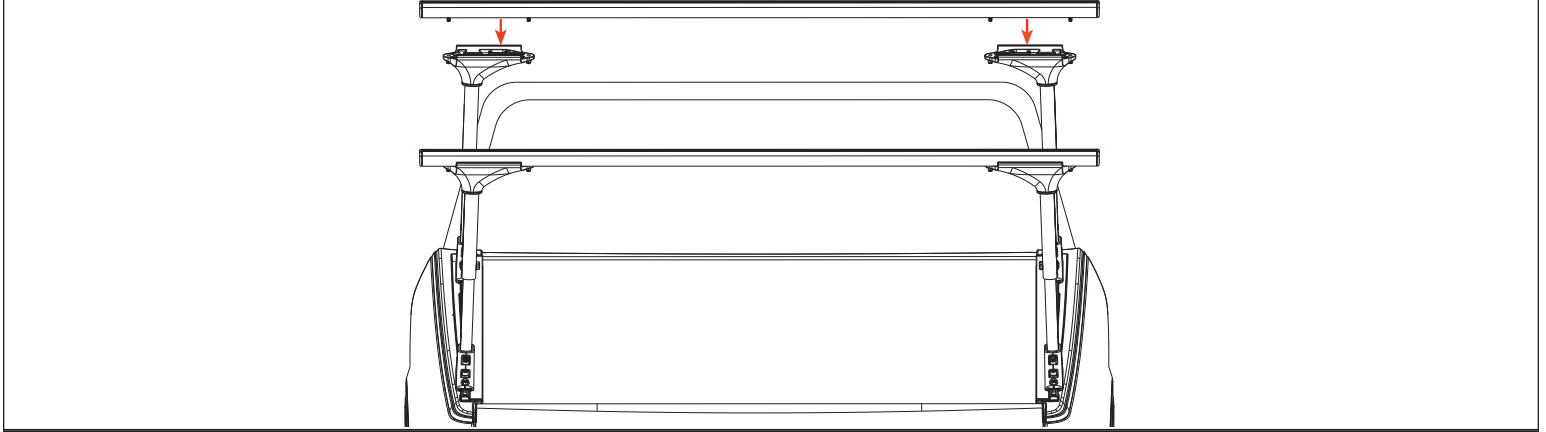


6. Start the Channel Guard (#9) at one end of the Crossbar (#2), once started you should be able to press the Channel Guard (#9) down the channel to the other end plug. Install Channel Guard (#9) into the t-slot channel of both Crossbars (#2). Cut off any excess Channel Guard (#9). If no accessories are installed, the Channel Guard (#9) can reduce wind noise.

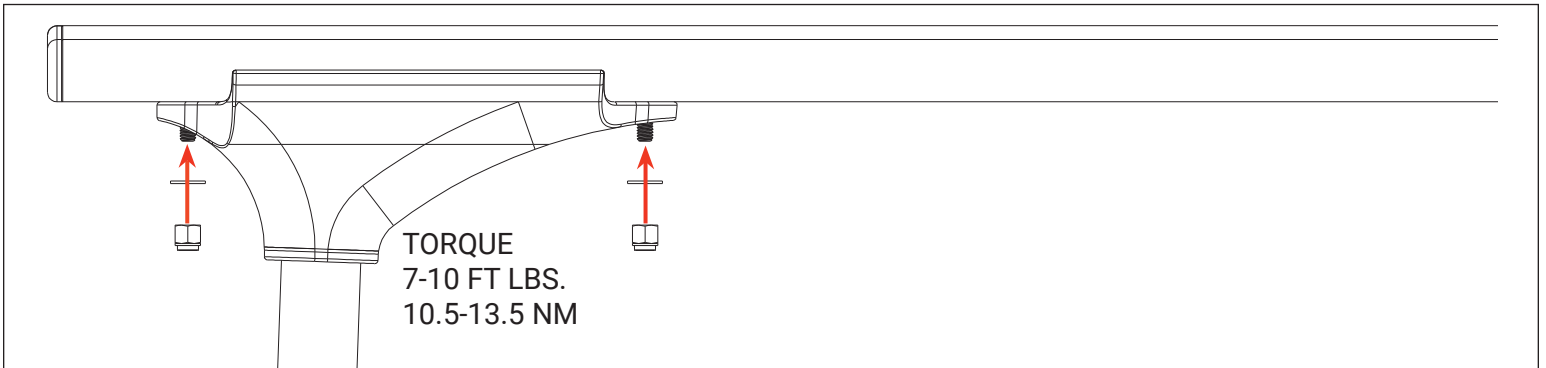


## RealTruck Elevate FS & CS Rack Systems

7. Align the T-bolts (#7) with the holes in the Upright Assembly (#1) support, carefully set the Crossbar (#2) down and adjust as needed. Center the Crossbar (#2) left to right with the 2 Upright Assemblies (#1). Repeat step with other Crossbars (#2).

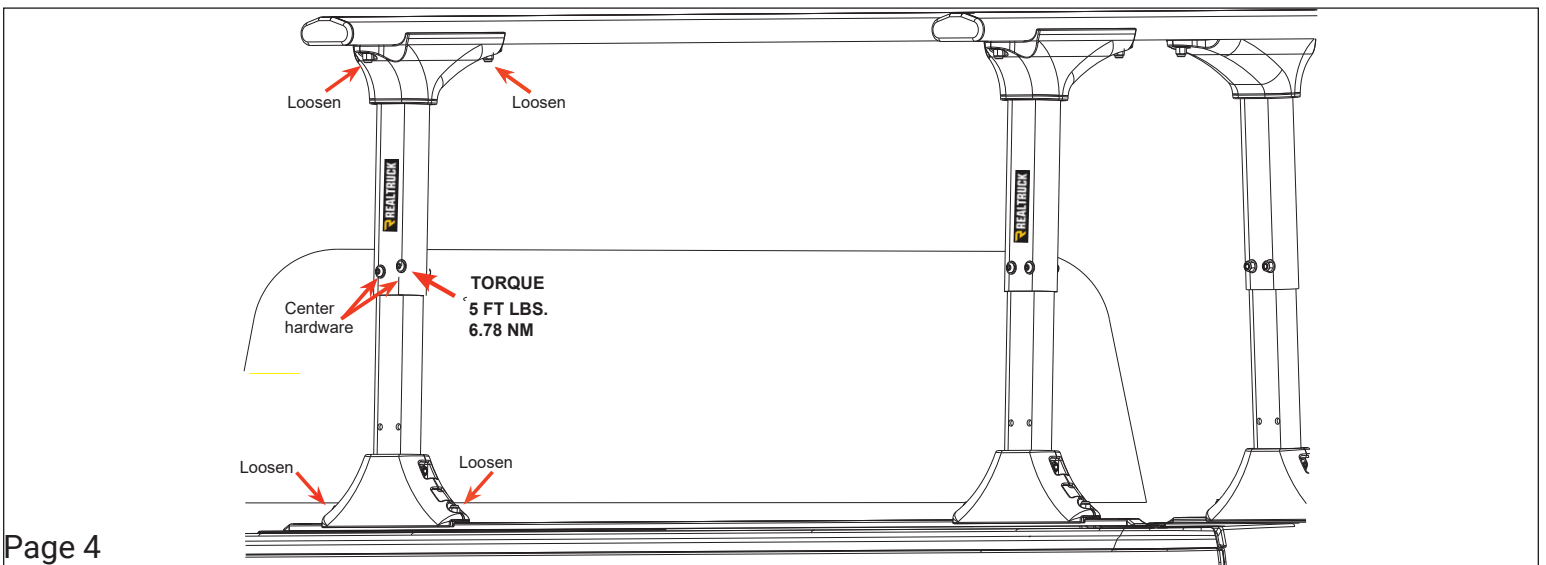


8. Once you have centered the Crossbars (#2) with the Upright Assemblies (#1), use the Washers (#5) and Cap Nuts (#6) to secure the Crossbars (#2) to the Upright Assemblies (#1). Try to make sure the Crossbars (#2) move as little as possible left to right when securing the hardware. **Do Not Overtighten.**



### Adjusting and moving the RealTruck Elevate Rack System

To reposition the rack on the t-slot rail, loosen the 4 Cap Nuts (#6) and each Upright Assembly (#1) to assist in moving the rack. Once repositioned, retighten the nuts. **To adjust the height of the rack, remove the center hardware, adjust as needed, then replace center hardware.**



## RealTruck Elevate FS & CS Rack Systems

### SYSTEM GUIDELINES FOR REALTRUCK ELEVATE RACK SYSTEMS

- Review all instructions, guidelines, and warranty information before installing or using RealTruck Elevate Rack Systems
- Check state and local laws for compliance with oversized loads.
- Adapt speed and care of the vehicle to the load being carried.
- Be conscious of load weight, a high center of gravity is a rollover risk.
- All loads change the vehicle's driving behavior and responsiveness.
- Do not use RealTruck Elevate Rack Systems for anything other than its intended purpose.
- Do not exceed the maximum load capacity (load capacity does change by terrain).
- Do not drive without the rails properly installed and fasteners torqued to specification.
- Know the overall height of every load. Be vigilant of low clearances.
- RealTruck Elevate Rack Systems works with most inside mount truck bed covers.
- RealTruck Elevate Rack Systems do NOT increase the load rating of the vehicle.

### REALTRUCK ELEVATE RACK SYSTEM LOAD RATING

The RealTruck Elevate Rack Systems are rated for 750 lbs. static weight capacity (max. load in a fixed or stationary position), 500 lbs. on-road weight capacity and 250 lbs. off-road weight capacity.