



Windshield Light Mount Bracket 40", Bronco

Part # HFB-05-007

Components and Hardware:



Components and Hardware:

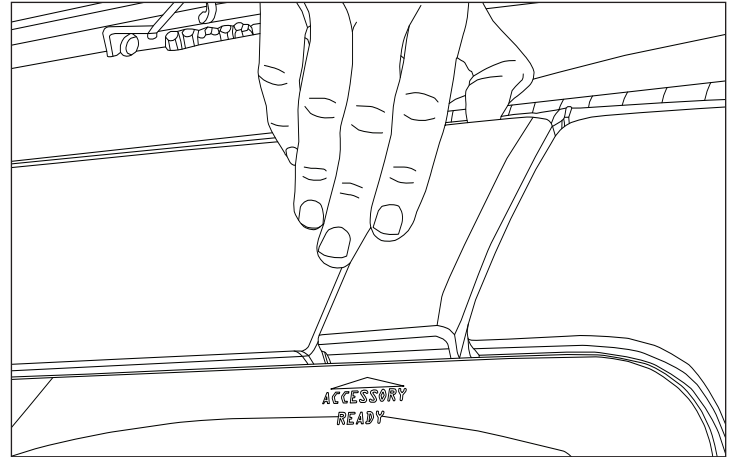
- 1. Light Bar Bracket RH (1)
- 2. Light Bar Bracket LH..... (1)
- 3. L Shaped Bracket RH..... (1)
- 4. L Shaped Bracket LH..... (1)
- 5. Limb Riser Bracket RH..... (1)
- 6. Limb Riser Bracket LH..... (1)
- 7. M6 Barrel Nut..... (4)
- 8. M8 Hex Head Screw..... (2)
- 9. M8 Serrated Flange Nut (2)
- 10. M8 Flat Washer (2)

Tools for Installation:

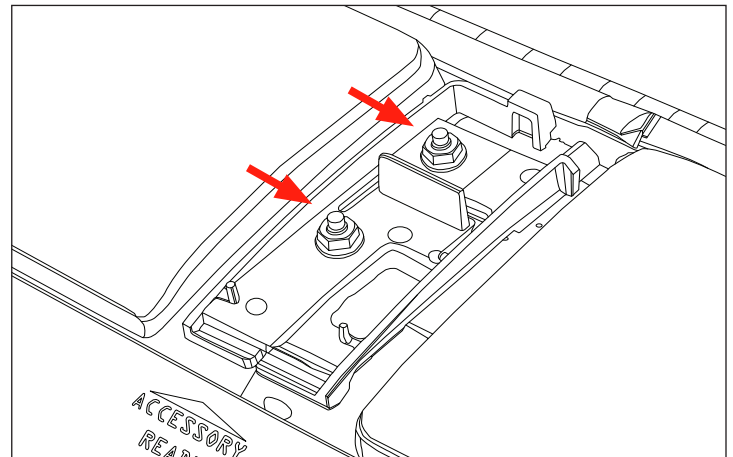
- 10mm Socket Wrench
- 13mm Socket Wrench
- 4mm Allen Wrench

Windshield Light Mount Bracket 40", Bronco

1. Remove the window accessory clip cover on both sides of the vehicle.

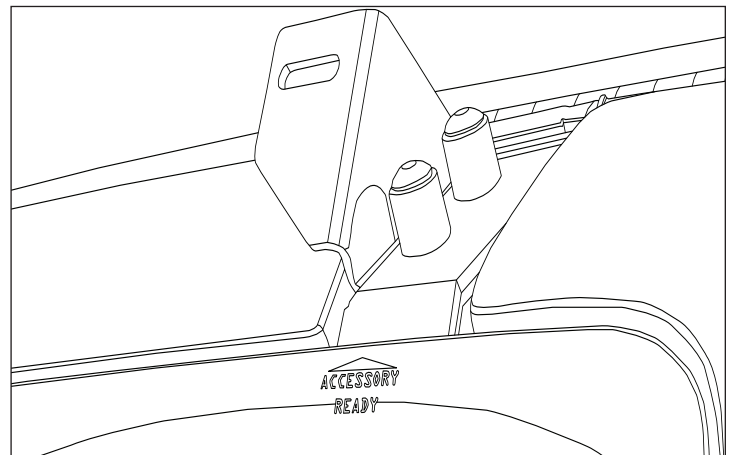


2. Remove the OE nuts with 10mm socket wrench then remove the OE mounting part. Repeat on other side of the vehicle.



3. Install Light Bar Bracket (#1-RH & #2-LH) with provided M6 Barrel Nut (#7) using an allen wrench. Repeat on other side of the vehicle.

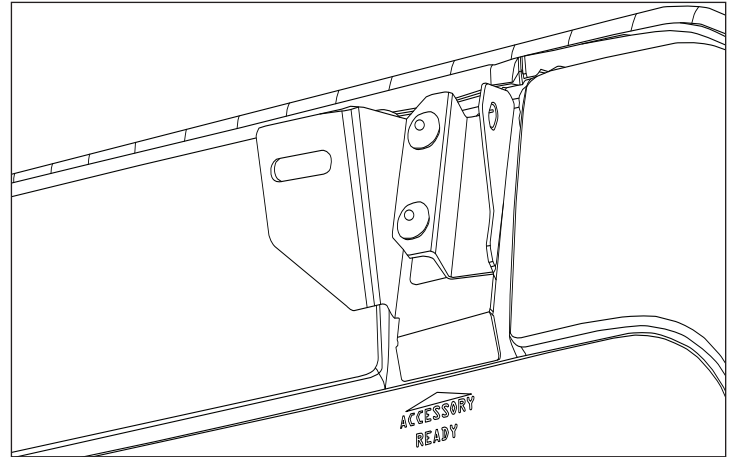
NOTE: If you want to use the Limb Riser bracket, DO NOT install the Barrel Nut until Step 4.



Windshield Light Mount Bracket 40", Bronco

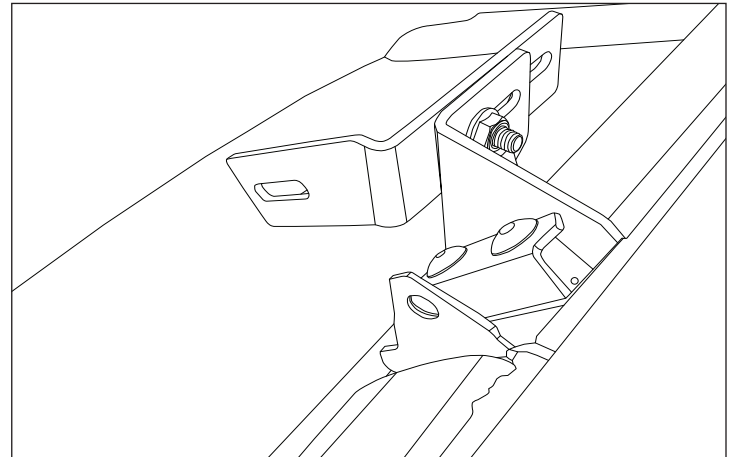
4. If you want to use the Limb Riser, mount the Limb Riser Bracket (#5-RH & #6-LH) over the light bar bracket and secure with M6 Barrel Nut (#7). Repeat on the other side of the vehicle.

NOTE: If you do not wish to use the Limb Riser, skip to Step 5.

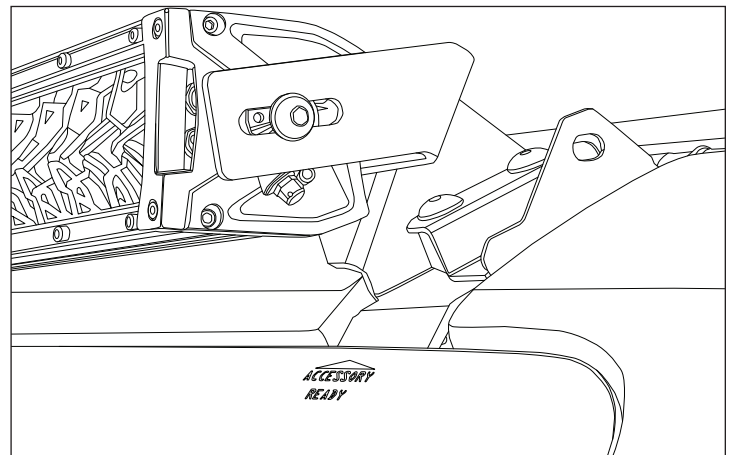


5. Install the L-Shaped bracket (#3-RH & #4-LH) over the light bar bracket using a 13mm socket. Repeat on the other side of the vehicle.

NOTE: It is recommended to leave loose until desired position is chosen.



6. With assistance, install the Light Bar over the L Shaped bracket using the hardware provided with the Light Bar you have purchased. Repeat on the other side of the vehicle.



Windshield Light Mount Bracket 40", Bronco

7. Center the light bar left to right, then tighten all hardware.

