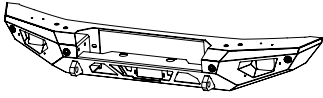
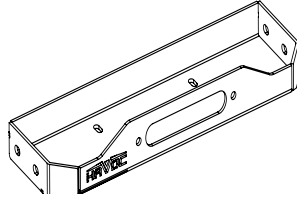


Components and Hardware:

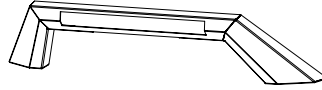
1.



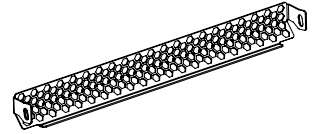
2.



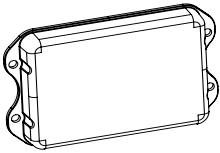
3.



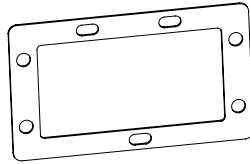
4.



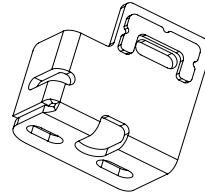
5.



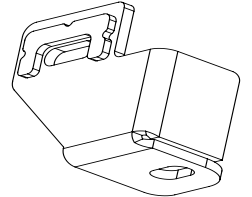
6.



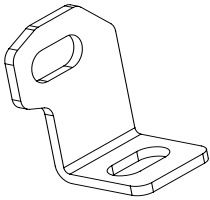
7.



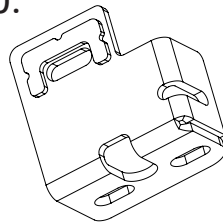
8.



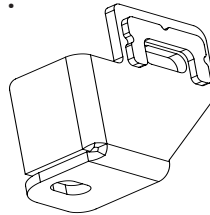
9.



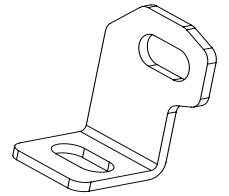
10.



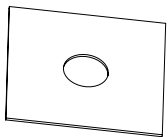
11.



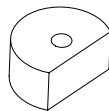
12.



13.



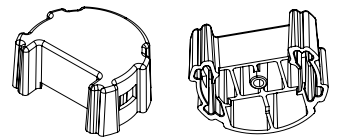
14.



15.



16.



17.



18.



19.



20.



Components and Hardware:

21.



22.



23.



24.



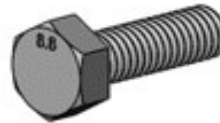
25.



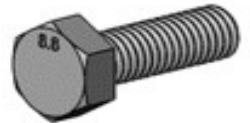
26.



27.



28.



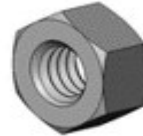
29.



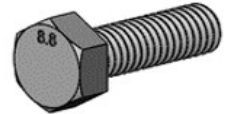
30.



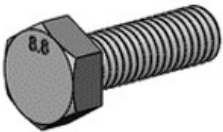
31.



32.



33.



34.



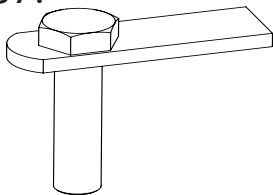
35.



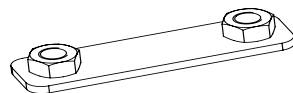
36.



37.



38.





Steel Bender Winch Ready Bumper, Front

Part # HFB-02-003

Components and Hardware:

Components and Hardware:

1. Steel Bender Winch Ready Bumper (1)
2. Winch Plate (1)
3. Override (1)
4. Light Bar Delete Panel (1)
5. ACC Cover Plate (1)
6. ACC Relocation Bracket (1)
7. Driver Side Inner Frame Bracket (1)
8. Driver Side Outer Frame Bracket (1)
9. Driver Side LED Light Bracket (1)
10. Passenger Side Inner Frame Bracket (1)
11. Passenger Side Outer Frame Bracket (1)
12. Passenger Side LED Light Bracket (1)
13. Plastic Retainer (2)
14. Foam Washer (4)
15. Plastic Plug (4)
16. Retaining Cap (4)
17. Zip Tie (10)
18. M6x25 Button Head Allen Bolt (7)
19. M6 Flat Washer (10)
20. M6 Lock Washer (7)
21. M6 Hex Nut (7)
22. M8x16 Button Head Allen Bolt (2)
23. M8x25 Button Head Allen Bolt (4)
24. M8 Flat Washer (6)
25. M8 Lock Washer (4)
26. M8 Hex Nut (2)
27. M10x30 Hex Head Bolt (4)
28. M10x110 Hex Head Bolt (2)
29. M10 Flat Washer (8)
30. M10 Lock Washer (6)
31. M10 Hex Nut (2)
32. M12x35 Hex Head Bolt (4)
33. M12x45 Hex Head Bolt (4)
34. M12 Flat Washer (14)
35. M12 Lock Washer (10)
36. M12 Hex Nut (6)
37. M12 Bolt Plate (2)
38. M10 Double Nut Plate (2)

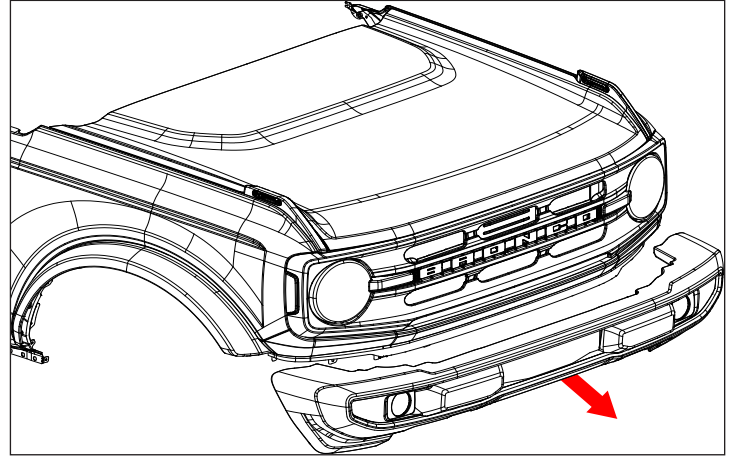
Tools for Installation:

- Allen Wrench
- 10mm Socket Wrench
- 13mm Socket Wrench
- 15mm Socket Wrench
- 16mm Socket Wrench
- 18mm Socket Wrench
- 19mm Socket Wrench

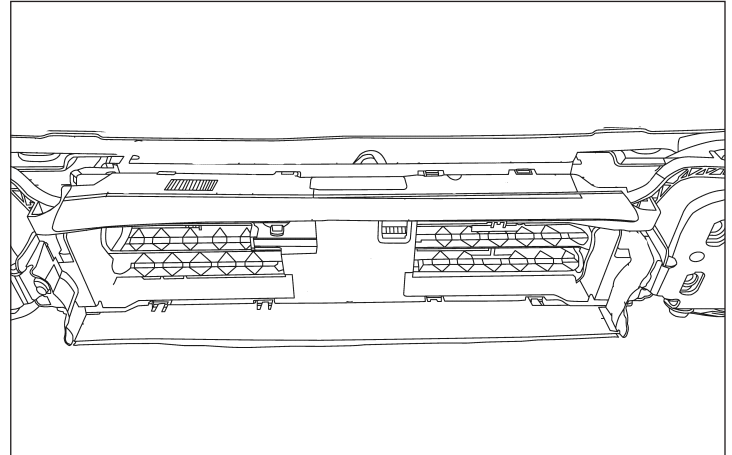
Steel Bender Winch Ready Bumper, Front

1. Unplug fog lights and parking sensors from harness. Remove the OE front bumper from the frame horns.

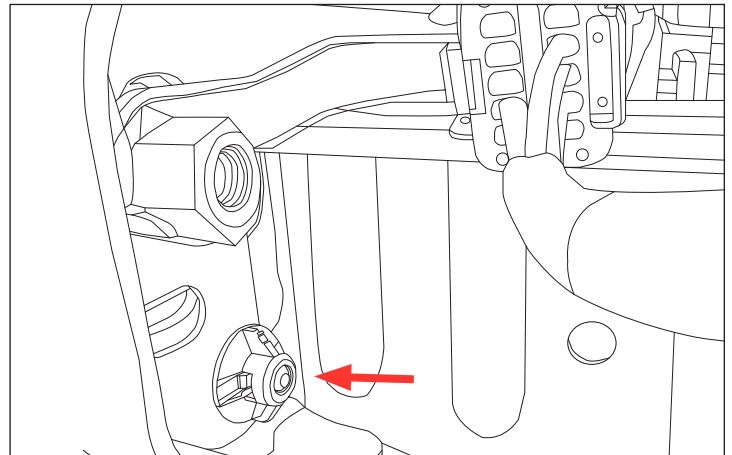
Optional: Remove outer crash bar.



2. Remove the inner cooler valiance.



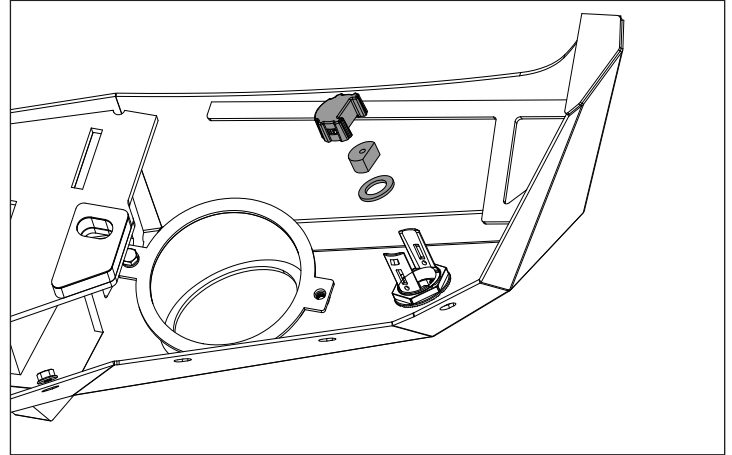
3. Remove the OE bumper nut plates from both sides by removing the plastic thumb screws. Remove skid plate.



Steel Bender Winch Ready Bumper, Front

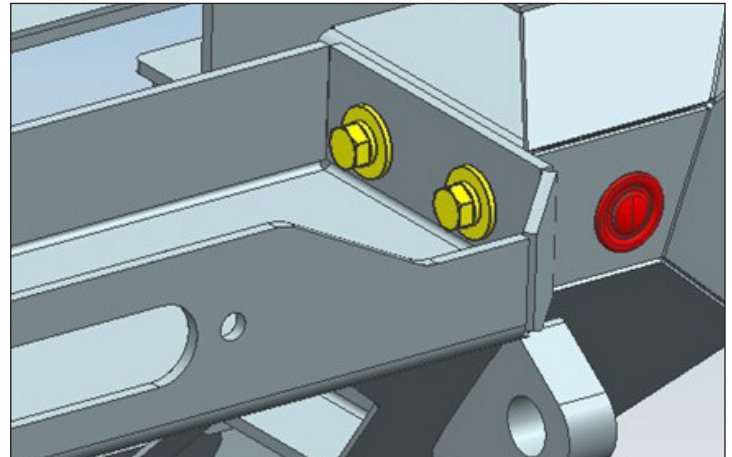
Note: If not re-using factory parking sensors, skip to step 5.

4. Remove parking sensors and wiring harness from OE front bumper. Align parking sensors to sensor mounts on the Front Bumper. Stack sensor spacers and then snap Sensor Cap to secure the parking sensor to bumper.



5. It is recommended to assemble the bumper before installing on vehicle. Start by installing the Winch Plate(#2) using M12x35 Hex Head Bolt (#32), M12 Flat Washer(#34) and M12 Lock Washer(#35). Repeat for passenger side.

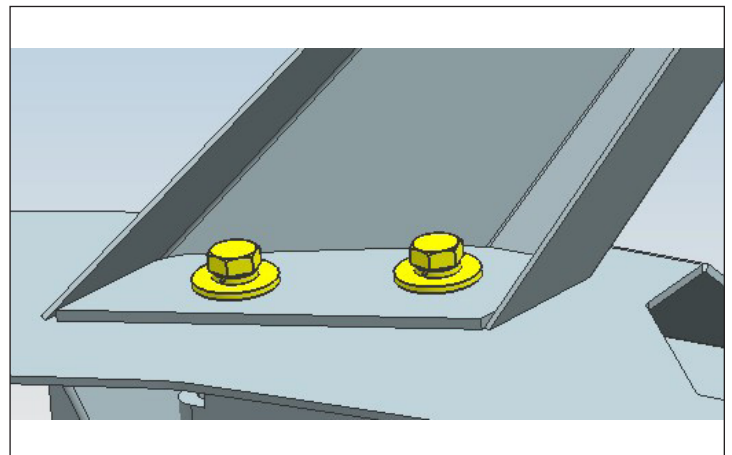
If you have already purchased a Winch, install now using instructions provided with the Winch.



NOTE: All images shown are the Driver's Side.

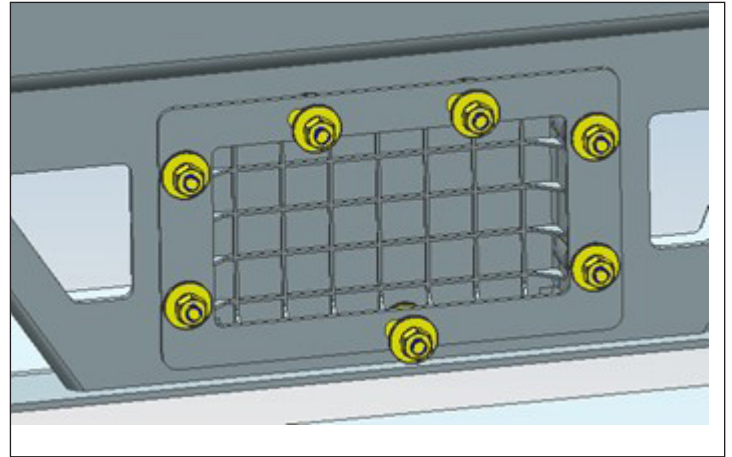
6. **OVERRIDER OPTIONAL:** If installing Override(#3), remove the rubber grommets from bumper. Install Override using M10 Double Bolt Plate(#38), M10 Flat Washer(#29) and M10 Lock Washer(#30). Repeat for passenger side.

If not installing Override, leave rubber grommets in place and skip to step 7.

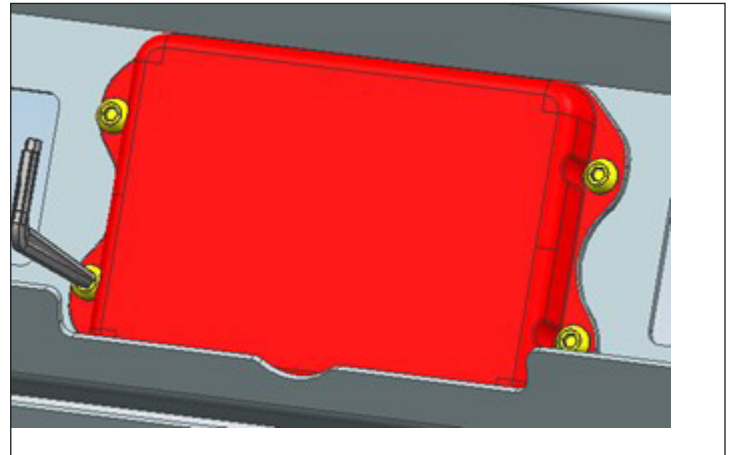


Steel Bender Winch Ready Bumper, Front

7. If equipped, relocate Adaptive Cruise Control. Install ACC Relocation Bracket(#6) using M6x25 Button Head Allen Bolt(#23), M6 Flat Washer(#19), M6 Lock Washer(#20) and M6 Hex Nut(#21).

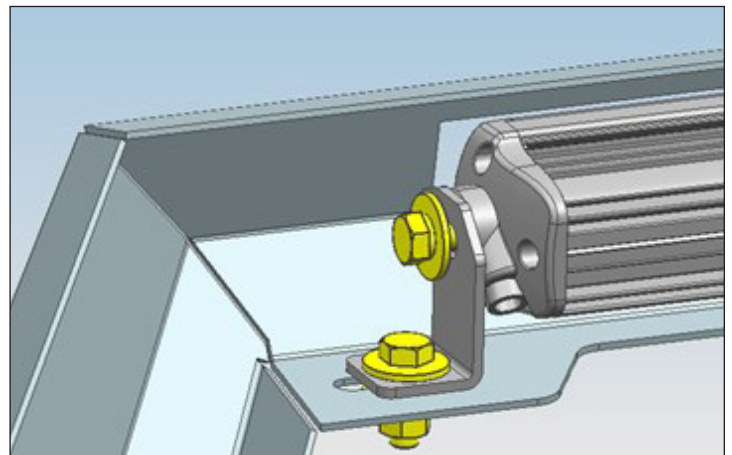


8. If not equipped, install the Adaptive Cruise Control Cover(#5) using M6x25 Button Head Allen Bolt(#18), M6 Flat Washer(#19), M6 Lock Washer(#20) and M6 Hex Nut(#21).



9. LED LIGHT BAR OPTIONAL: If installing a LED Light Bar, use hardware and instructions provided with purchased Light Bar.

If not, install the provided Light Bar Delete Panel(#4) using supplied L Bracket(#9). Install M8x16 Button Head Allen Bolt(#22), M8 Flat Washer(#24) and M8 Lock Washer(#25) through bracket into Delete Panel. Attach to Over-rider with provided M8x25 Button Head Allen Bolt(#23), M8 Flat Washer(#24), M8 Lock Washer(#25) and M8 Hex Nut(#26). Repeat on passenger side.



Steel Bender Winch Ready Bumper, Front

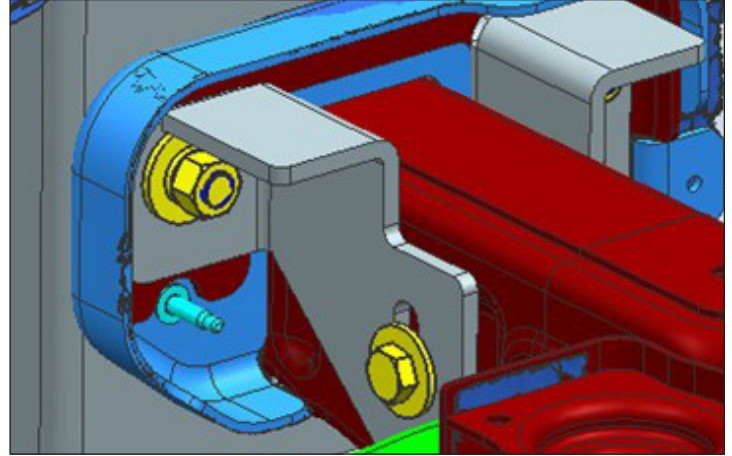
10. Identify driver side Inner Frame Bracket(#7) and Outer Frame Bracket(#8) then align to frame plate. Install M10x110 Hex Bolt(#28) with M10 Flat Washer(#29) from Outer Bracket through to the Inner Bracket. **Loosely** affix the M10 Flat Washer(#29), M10 Lock Washer(#30) and M10 Hex Nut(#31) to the M10x110 Hex Bolt. Repeat on passenger side.

11. Align bumper to mounting locations.

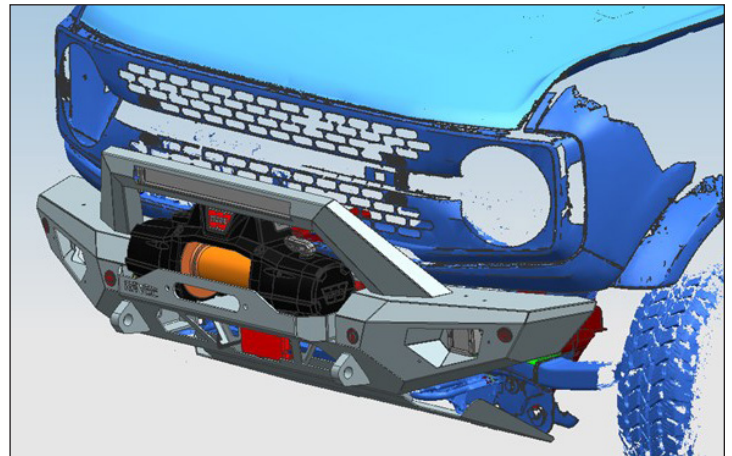
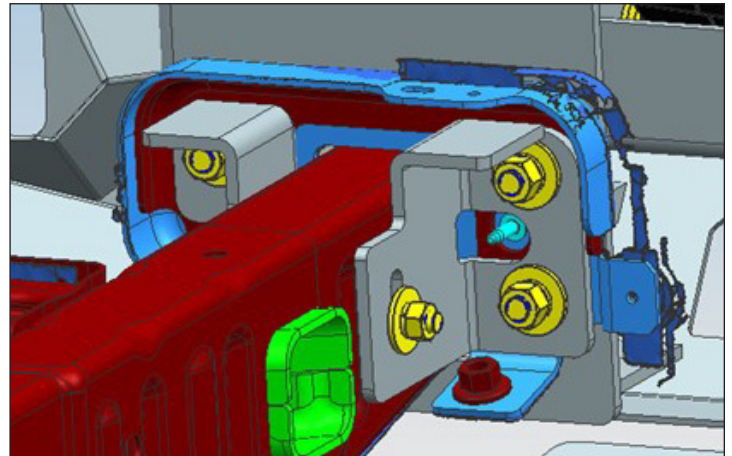
12. Secure Inner Frame Bracket to bumper using M12x45 Hex Bolt(#33), M12 Flat Washer,(#34) M12 Lock Washer (#35)and M12 Hex Nut(#36). Repeat on passenger side.

13. Secure Outer Frame Bracket to bumper using M12 Bolt Plate(#37), M12 Flat Washer(#34), M12 Lock Washer(#35), M12 Hex Nut(#36) and Plastic Retainer(#13). Repeat on passenger side.

OUTER FRAME BRACKET - DRIVER SIDE



INNER FRAME BRACKET - DRIVER SIDE



Steel Bender Winch Ready Bumper, Front

14. Re-install OE Metal Skid Plate or Plastic Air Dam with OE hardware. Re-attach the OE D-Rings.

NOTE: Havoc Skid Plate is available separately - **Part Number HFB-02-004**. See instructions provided with purchase for install.

