

Part # HFB-02-001

## Components and Hardware:

1.



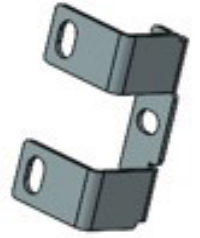
2.



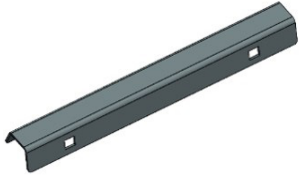
3.



4.



5.



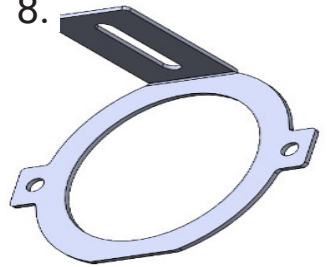
6.



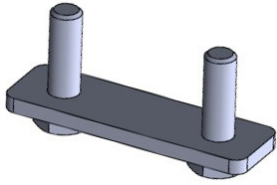
7.



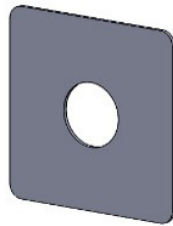
8.



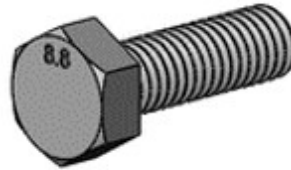
9.



10.



11.



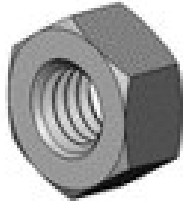
12.



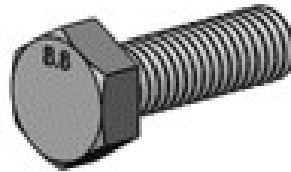
13.



14.



15.



16.



17.



18.



19.

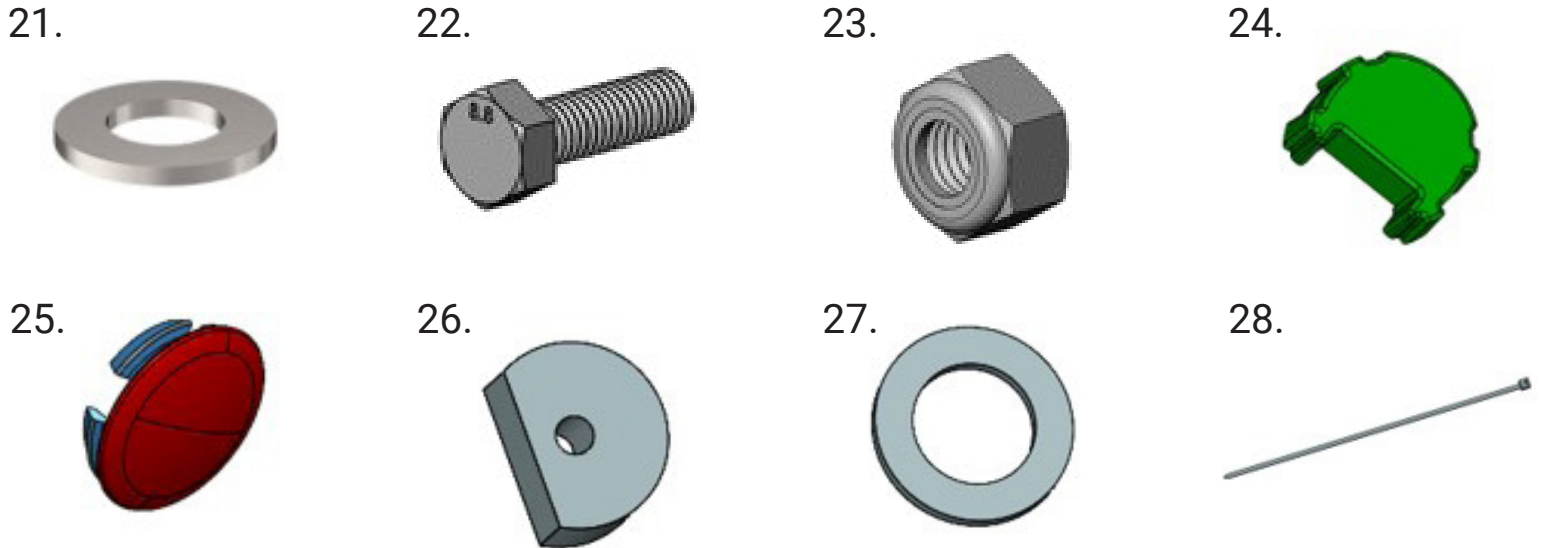


20.



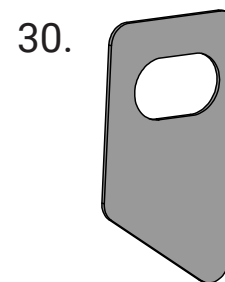
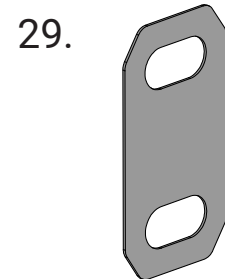
Part # HFB-02-001

## Components and Hardware:



## Components and Hardware:

1. Steel Bender Front Bumper .....	(1)
2. Left Extension.....	(1)
3. Right Extension .....	(1)
4. Fog Light Bracket .....	(4)
5. License Plate Bracket .....	(1)
6. Finishing Plate.....	(1)
7. LED L-Bracket .....	(2)
8. LED Mount .....	(2)
9. Bolt Plate .....	(2)
10. Plastic Washer.....	(6)
11. M12 Bolt .....	(2)
12. M12 Flat Washer .....	(6)
13. M12 Lock Washer .....	(6)
14. M12 Nut .....	(6)
15. M6 Hex Head Bolt .....	(14)
16. M6 Button Head Bolt.....	(12)
17. M6 Washer.....	(40)
18. M6 Lock Washer.....	(12)
19. M6 Lock Nut .....	(14)
20. M6 Flange Nut .....	(8)
21. M8 Flat Washer .....	(8)
22. M8 Bolt.....	(4)
23. M8 Lock Nut .....	(4)
24. Sensor Cap .....	(4)
25. Sensor Plug .....	(4)
26. Sensor D-shaped Spacer .....	(4)
27. Sensor Ring Spacer.....	(4)
28. Zip Ties .....	(4)
29. Inner Spacer Plate.....	(2)
30. Outer Spacer Plate .....	(2)



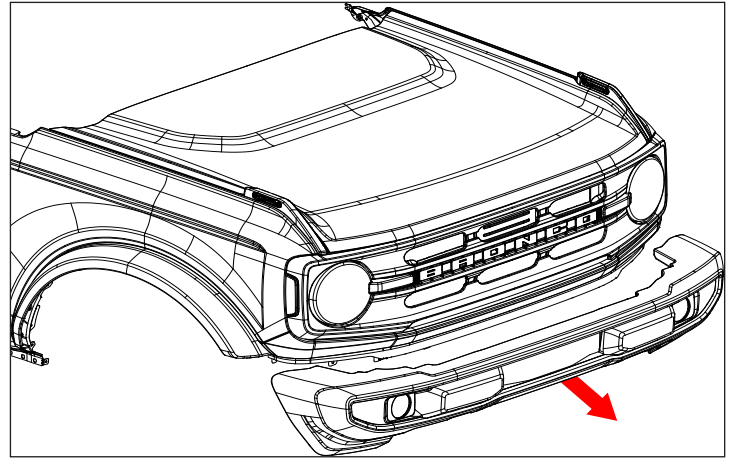
## Tools for Installation:

- 19mm Socket Wrench
- 18mm Socket Wrench
- 13mm Socket Wrench
- 10mm Socket Wrench
- 8mm Socket Wrench
- 4mm Allen Wrench
- Side Cutters

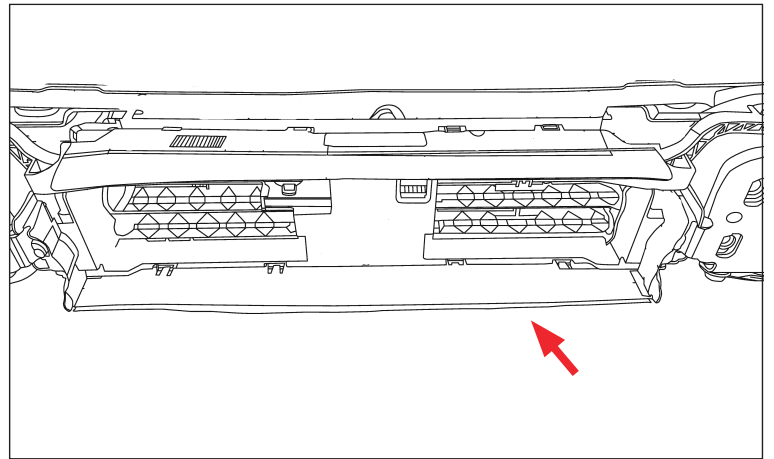
# Steel Bender Front Bumper

1. Unplug fog lights and parking sensors from harness.  
Remove the OE front bumper from the frame horns.

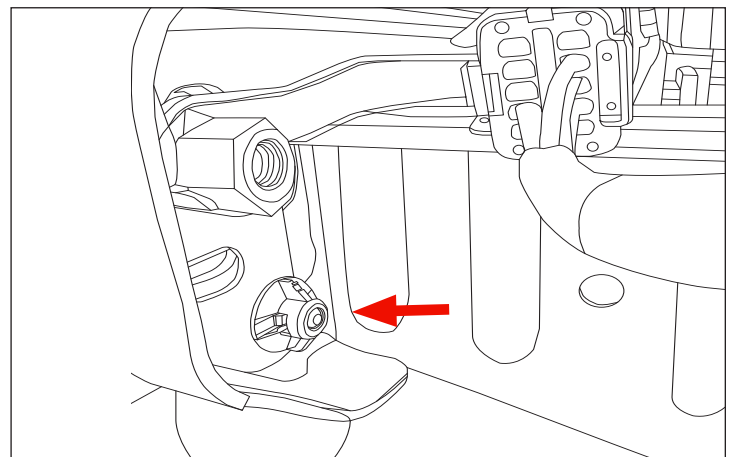
Optional: Remove outer crash bar.



2. Remove the inner cooler valiance.



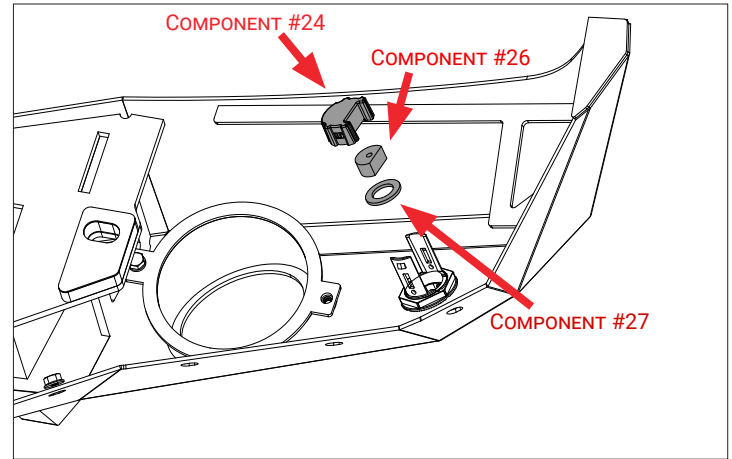
3. Remove the OE bumper nut plates from both sides by removing the plastic thumb screws.



# Steel Bender Front Bumper

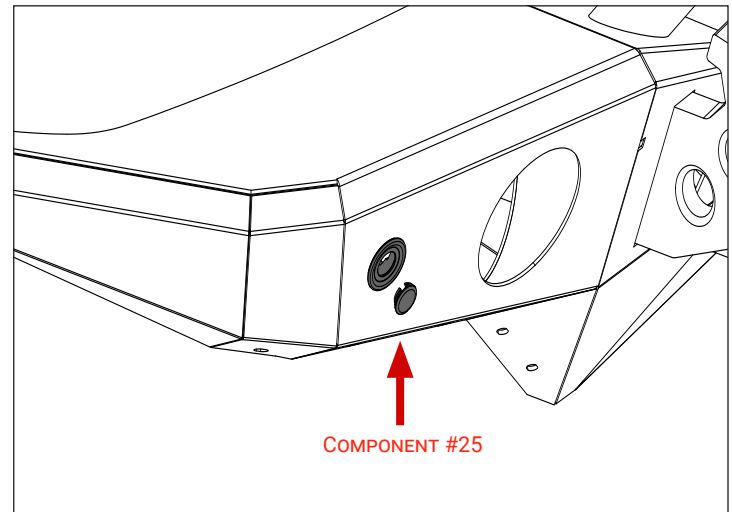
Note: If not re-using factory parking sensors, skip to step 5.

4. Remove parking sensors and fog lights from OE front bumper. Align parking sensors to sensor mounts on the Front Bumper. Stack sensor spacers and then snap Sensor Cap to secure the parking sensor to bumper.



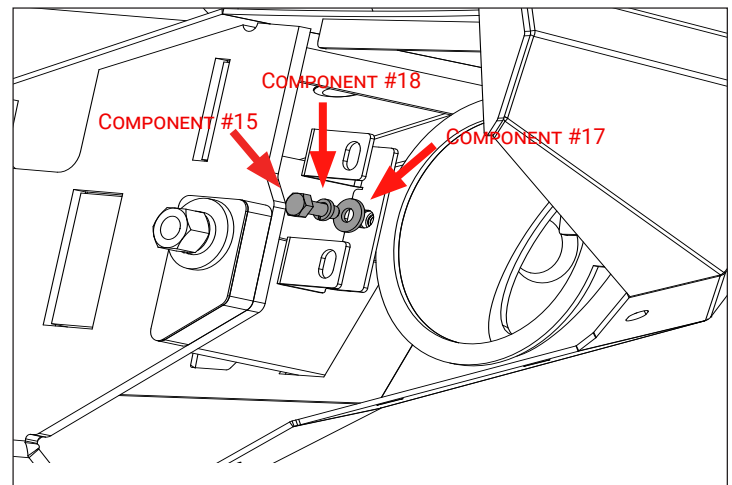
Note: If re-using factory parking sensors, skip to step 6.

5. Gently press sensor plug into bumper.



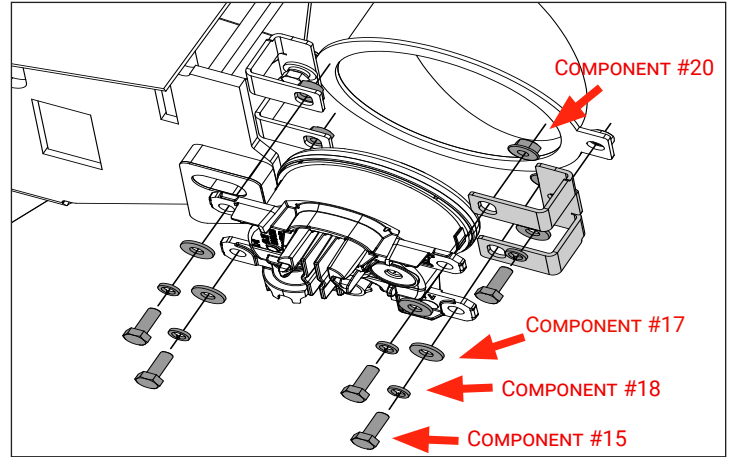
Note: If installing aftermarket 3" LED skip to step 8.

6. Loosely attach inner fog light bracket to bumper using the supplied M6 Hex Head Bolts and hardware.



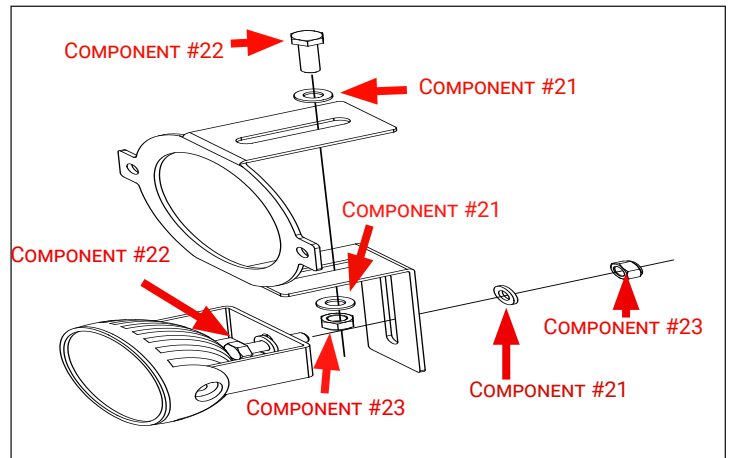
# Steel Bender Front Bumper

7. Align outer fog light bracket and OE fog light to bumper and inner bracket. Tighten inner fog light bracket. Then, attach outer bracket and OE fog light to bumper using supplied M6 Hex Head Bolts and hardware.

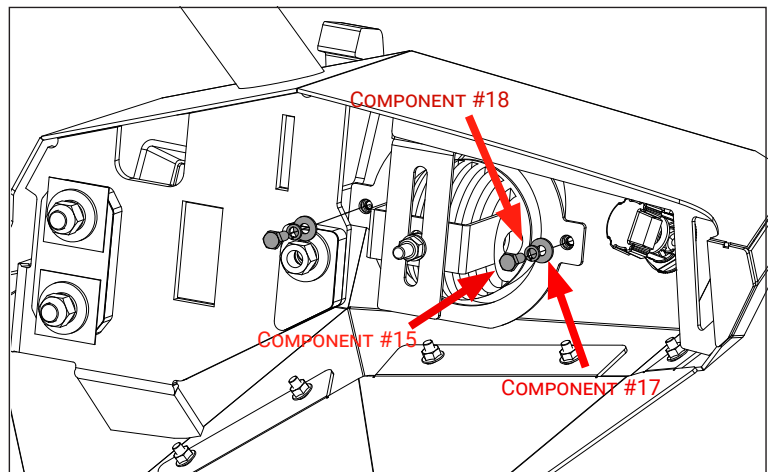


Note: Skip to step 8 if you installed factory fog lights.

8. Loosely attach aftermarket LED to L-Bracket and LED mount using the supplied M8 hardware.

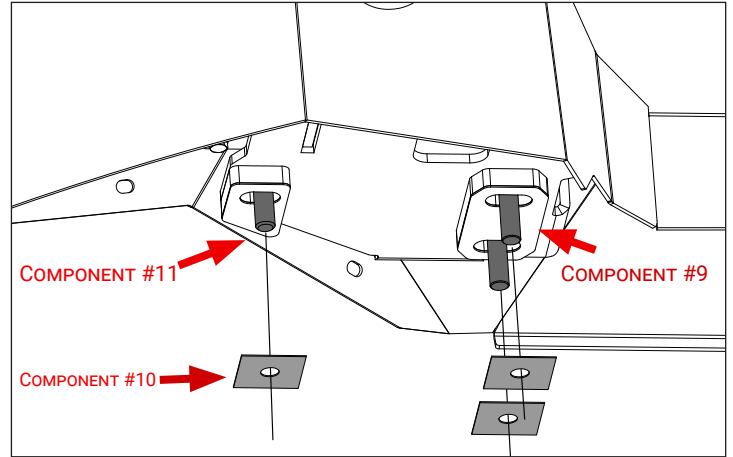


9. Loosely attach LED assembly to bumper. Align light in bumper recess and then tighten hardware.

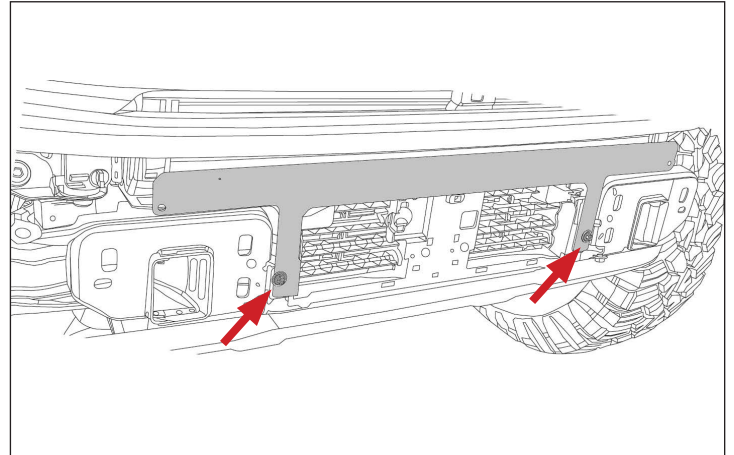


## Steel Bender Front Bumper

10. Position bolt plate, plastic slip washers, and M12 hardware on bumper.

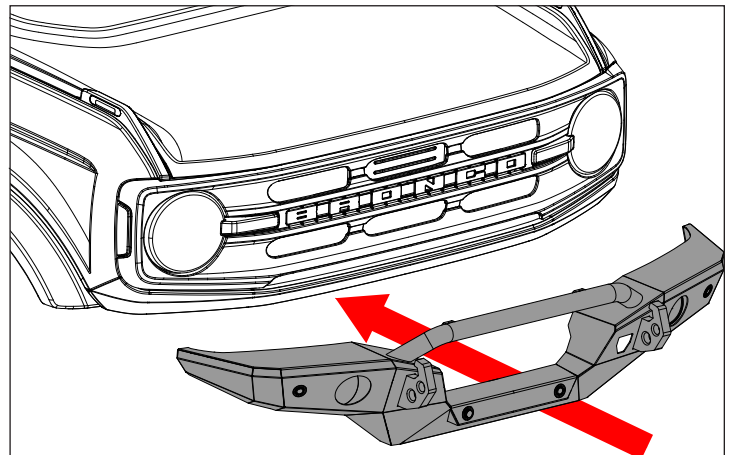


11. Using 8mm socket, remove OE bolts on inner cooler mounts. Install finishing plate, using OE hardware, to inner cooler mounts.



12. Using supplied M12 hardware, loosely attach bumper to frame horn.

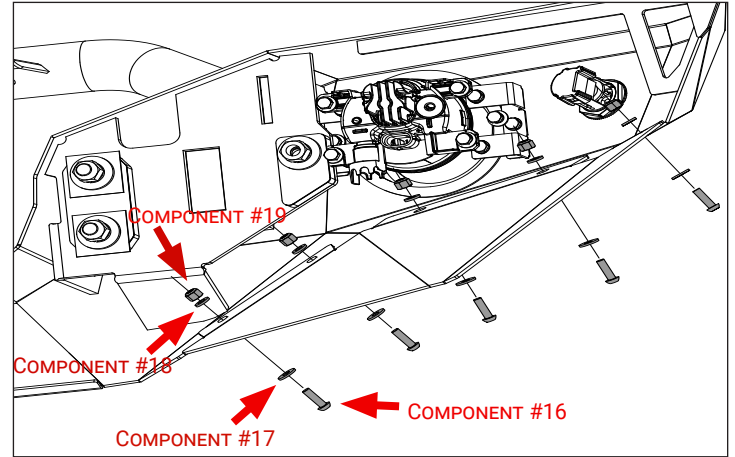
**Note:** If the bumper does not sit flush to the frame horns, please use Inner and Outer Spacer plates.



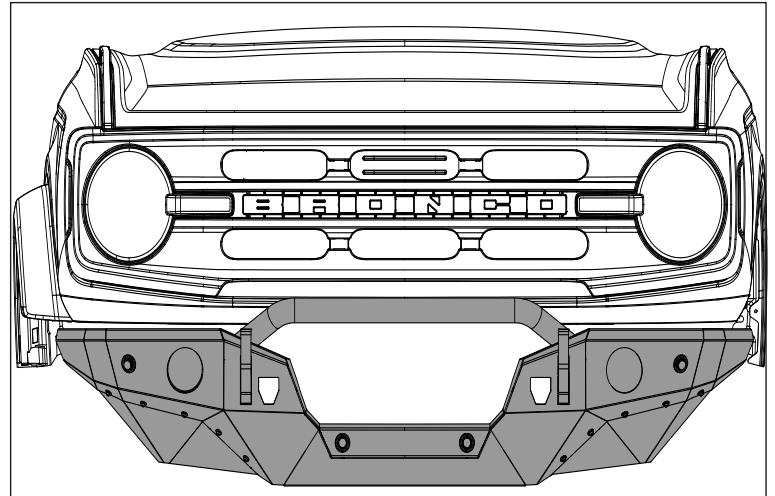
# Steel Bender Front Bumper

Note: Skip to step 14 if not installing optional bumper extensions.

13. Using M6 hardware, attach bumper extensions.



14. Center the bumper to the vehicle and tighten M12 hardware.



15. If required by state law, attach license plate bracket to bumper using M6 hardware. Reinstall OE wire harness if needed, use provided zip ties.

