

# GO RHINO®

## INSTALLATION INSTRUCTIONS

PART NO.

- 758CHSCW



PRODUCT DESCRIPTION:

- Xplor Lighting 8 Channel Switch

### PRODUCT SAFETY & LEGAL DISCLAIMER

- **IMPORTANT READ ALL INSTRUCTIONS CAREFULLY BEFORE INSTALLING, FAILURE TO DO SO MAY CAUSE PERSONAL INJURY OR DAMAGE TO PRODUCT AND/OR PROPERTY.**
- **Review the product package and contents prior to beginning the installation.** Take care when opening the packaging and removing items. If a return is needed you will want to return the product in its original packaging if possible.
- This instruction guide is provided as a GENERAL installation guide, some vehicles vary dimensionally and may require additional steps.
- Test fit the product on the vehicle prior to any third party modifications and or finishing. The manufacturer and/or distributors do not accept responsibility for third party charges, labor and or third part replacement modifications. Some modifications may void the factory warranty.
- Exercise due-diligence when installing this product. The manufacturer and distributors of this product do not accept any responsibility for vehicle damage or personal injury resulting from the installation of this product. Careless installation and operation can result in serious injury or equipment damage.
- This product is for general off-road use. All liability for installation and use rests with the owner/operator.
- **INSTALLER:** Once installation is complete, please return this guide along with other documentation included in this product back to the consumer for future reference. The manufacturer/distributors of this product do not guarantee this particular version will be available at a later date.

© 2016 Go Rhino Products. All rights reserved

[www.gorhino.com](http://www.gorhino.com)

589 W. Apollo St., Brea, CA 92821

P: 888 427 4466



## INSTALLATION INSTRUCTIONS

### INJURY HAZARD

Please complete a shop and tool inspection prior to beginning the installation.

- Always make sure you have a clean, dry and well lit work area.
- Always remove jewelry, loose fitting clothing and wear protective gloves and eye protection.
- Always use extreme caution when jacking or raising a vehicle for work. Set the emergency brake and use tire/wheel blocks and jack stands. Refer to the vehicle manufacturer hand book. Utilize the vehicle manufacturers designated lifting points.
- Always use appropriate and adequate care in lifting parts during disassembly and installation. Seek help in lifting heavy or large items into place. Utilize jacks and or lifting devices when available.
- Always insure products are secure during disassembly and installation.
- Always wear eye protection and take steps to protect any exposed skin during the installations. Drilling, cutting and grinding plastic and metal may create flying particles that can cause injury.
- Always use extreme caution when drilling, cutting and or grinding on a vehicle. Thoroughly inspect the area to be drilled, on both sides of material, prior to modification and relocate any objects that may become damaged.
- Always assemble and tighten all fasteners per the installation instructions.
- Always route electrical cables carefully. Avoid moving parts, parts that may become hot and rough or sharp edges.
- Always insulate and protect all exposed wiring and electrical connections.

### MAINTENANCE AND CARE

- Always perform regular inspections and maintenance on mounts and related fasteners.
- Periodically check and tighten all fasteners.
- Stripped, fractured, or bent fasteners must be replaced.
- After washing the vehicle make sure to fully dry all surfaces.
- In areas with cold temperatures make sure to wash the product often to remove harmful materials used on road ways.
- Never use abrasive cleaners or polish compounds. Clean with a gentle soap and water. If you use wax use a non-abrasive automotive wax such as pure carnauba wax.

### WARNING

Some products have been designed to work together with factory rear sensor systems, factory forward facing sensor systems and factory air bags.

- Installation of some of these products may alter the factory sensor system performance.
- Factory sensors may read shackles or hooks protruding from the fairlead and or tow hooks.
- All sensor testing is completed by Go Rhino Products and or third party testing labs on modified vehicles.
- Sensor sensitivity, factory sensor housing, orientation, and operating conditions are all variables that will influence functionality of the sensors.
- Installation of some product may effect the factory air bag systems.
- Some products allow the use of third party products such as winches, shackles, hooks, etc. Follow the respective manufacturers operating instructions for use with our products.
- Make sure to fully understand the product, it's intended use and operation prior to use.
- Above all... be safe!

# GO RHINO®

## INSTALLATION INSTRUCTIONS

PARTS INCLUDED IN THIS LIST:



Item	QTY	Item	QTY
Circuit Breaker	1	Zip Ties	1
Circuit Board	1	Switch Panel Wiring Harness	1
Circuit Board Mount	1	Accessory Harness	1
Positive Wire	1	Sticker Sheet	1
Negative Wire	1	Hardware Pack	1
Switch Panel	1	Switch Panel Mounting	1
Adjustable Mount	1		

Go Rhino recommends you, the installer, read this installation instruction manual from front to back before installing the product. You may also [click here](#) to view an installation video or visit <http://www.gorhino.com/Installation-Videos>.

### TOOLS NEEDED FOR INSTALLATION:

- Phillips Screw Driver
- 11MM Socket/ Wrench
- 10MM Socket/ Wrench

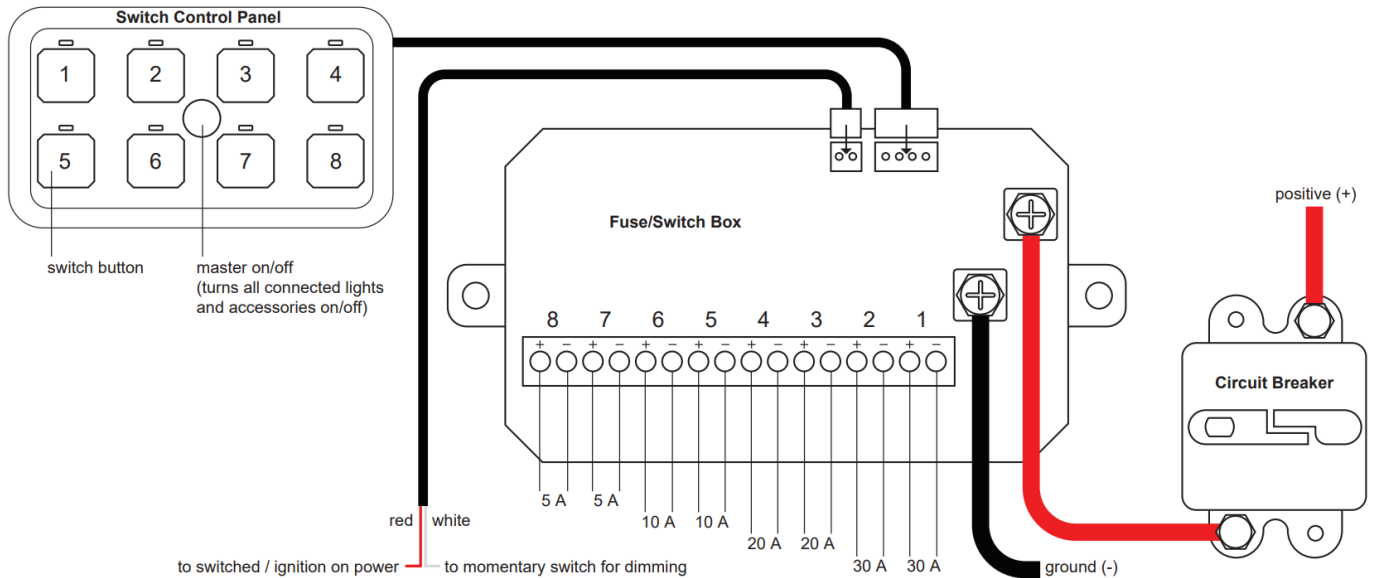
**ESTIMATED TIME FOR INSTALLATION:**

**1-2 Hour**

If you need installation service for your new product, call the authorized distributor from whom you purchased the product or an authorized installation service company which can be found by calling toll free 1-888-427-4466

# GO RHINO®

## INSTALLATION INSTRUCTIONS



### Button Setting

When the fuse/switch box and switch control panel are connected and powered on, the default setting for each button will be to function as a simple on/off switch for the connected light or accessory. Buttons on the switch panel can also be set to a momentary setting or a strobe setting. This can be done by first holding down the master on/off button, then holding any button until the light above that button illuminates. This process can be repeated to cycle through the three settings as needed.

### Wire Connections

This switch panel control system has eight switch circuits, each has a maximum current rating. The total operating amperage of the connected accessories cannot exceed 60 amps (600 watts). You may have multiple electrical devices or auxiliary LED lights connected that total more than 60 amps, but you cannot have them turned on at the same time. Otherwise, the control box will be damaged. The switch panel comes configured with the following fuses: Circuit 1 30A, Circuit 2 30A, Circuit 3 20A, Circuit 4 20A, Circuit 5 10A, Circuit 6 10A, Circuit 7 5A, Circuit 8 5A.

### Spare Fuses

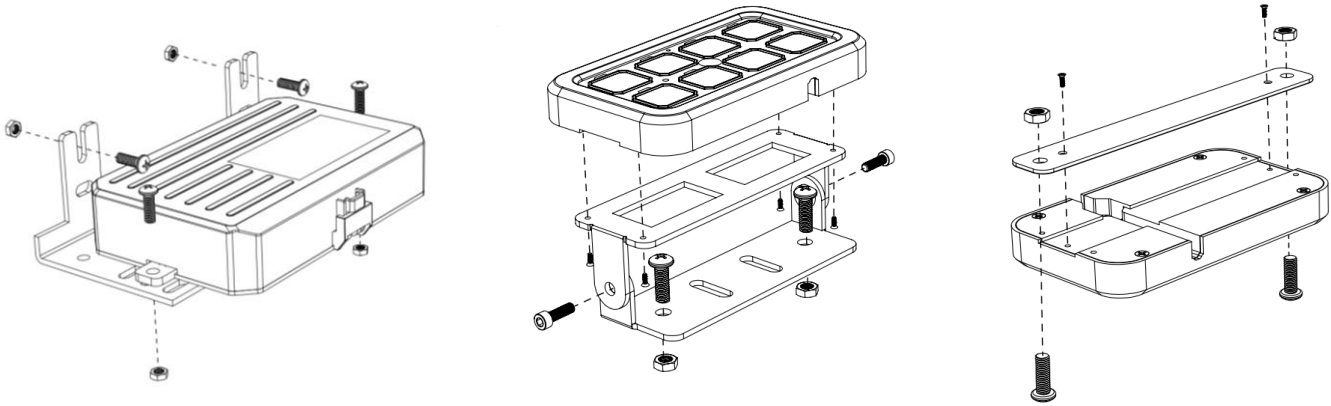
Spare fuses and fuse removal / install tool are supplied under the circuit breaker cover.

### Dimmable Feature

Connecting the 'White Wire' to the ACC / Factory dimmer switch will allow the backlit brightness to be incrementally adjusted.

# GO RHINO®

## INSTALLATION INSTRUCTIONS



1. Locate the Circuit board mounting bracket. Secure the bracket to the desired location in an unobstructed area to safely route the wiring. Use the supplied hardware to secure.
2. Place the Circuit board onto the mounting bracket. Route the supplied positive and negative wiring, accessory switch wire and the switch panel wiring through the right side of bracket and the circuit board.
3. Connect the switch wire connector and the switch panel connector wires onto the circuit board.
4. Connect the white wire to ACC / Factory dimmer switch and the red wire to a Positive power source.
5. Connect the Positive and Negative wires to the circuit board. Remove the screw from the circuit board and place the wire onto the terminal, place the screw into the terminal and tighten using a Phillips head bit.
6. Install the circuit breaker in a accessible location. Secure using (2) of the supplied screws. Tighten using a Phillips bit driver.
7. Secure the positive cables on each terminal of the circuit breaker.
8. Tighten using an 11mm socket. Place the clear cover over the circuit breaker.
9. Connect the Positive and Negative wires to the battery.
10. Secure the circuit breaker to the mounting bracket using (2) of the supplied nuts and bolts. Tighten using a Phillips head bit and an 10mm wrench.
11. Locate the Switch panel and choose the mounting bracket that is best for your application and install the control panel using the supplied screws.
12. Mount the control panel into the desired location and connect the wiring harness together. Tighten the threaded nut to secure and seal the connectors.
13. Connect the wiring from the products that will be used by the switch panel. Choose from the fused 5A, 10A, 20A, 30A slots for your application.
14. Press each button on the switch panel to confirm the switched product is working properly. Install the circuit breaker cover.
15. Choose the appropriate sticker for each switched application and apply onto the switch panel. Apply 8 of the stickers that closely matches the switched application onto the buttons of the switch panel.



# INSTALLATION INSTRUCTIONS

## LIMITED WARRANTY

Go Rhino warrants to Buyer that for a period of five (5) years from the date of shipment of the product(s) ("Warranty Period") for black finishes and chrome finishes, that such products will materially conform to the specifications set forth in Go Rhino's specifications in effect as of the date of shipment(s) and will be free from material defects in material workmanship.

Go Rhino warrants to Buyer that for the life of the product(s) from the date of shipment of the product(s) ("Warranty Period") for polished stainless steel finished products purchased after April 2004, that such products will materially conform to the specifications set forth in Go Rhino's specifications in effect as of the date of shipments and will be free from material defects in material workmanship.

Warranty claims must be accompanied with the original invoice and photos of the product. It is the customer's responsibility to clean regularly and protect finish with regular applications of a nonabrasive polish that is compatible with the product's finish.

This warranty covers the cost of the product only and does not include the cost of removal, installation, third party modifications or shipping of the product. In no event shall Go Rhino be liable to buyer or any third party for any damage or harm caused by the product or use thereof, regardless of weather such damages were foreseeable and whether or not Go Rhino has been advised of the possibility of such damages, not withstanding the failure of any agreed or other remedy of its essential purpose. This warranty is void if the product shows signs of alteration, misuse, mishandling, improper care, neglect, improper application and/or damage due to improper installation.

With respect to any such product(s) during the limited warranty period, Go Rhino shall, in its sole discretion, either: (i) provide a one-time repair or replacement of such products (or the defective part) or (ii) credit or refund the price of such products at the pro rata contract rate provided that, if Go Rhino so requests, Buyer shall, at Go Rhino's expense, return such product(s) to Go Rhino. The remedies shall be the Buyer's sole and exclusive remedy and Go Rhino's entire liability for any breach of the limited warrant(ies).

Go Rhino disclaims all other warranties except to the extent that any such warranty cannot be validly disclaimed under applicable law.

### **Finish Limited Warranty:**

Limited lifetime on stainless steel products (after April 2004)  
5 year warranty on black powder coat products  
5 year warranty on chrome products  
This warranty does not cover exposed welds

Finish warranty covers peeling, flaking, or cracking. Washing all finishes regularly with car wash soap and rinsing well with water is the best method for maintaining the finish on your products. You must also protect the finish with nonabrasive automotive wax on a regular basis. The use of any compound which contains abrasives becomes a self-defeating exercise as the compound scratches the finish and opens it to corrosion. The use of harsh chemicals used to remove bugs and tar may also cause the finish to fail and should be avoided.

If you are unsatisfied with your purchase please contact the establishment you purchased the product from.

If you need to place a warranty claim or need assistance, the Go Rhino customer service team will answer any questions you may have. Please contact the Go Rhino customer service team at 1-888-427-4466 during normal business hours Monday thru Friday 7 am to 5 pm PST. You may also email [warranty@gorhino.com](mailto:warranty@gorhino.com). In order to better serve you please provide a copy of the original invoice / receipt, a photo of the issue you are experiencing and a photo of the vehicle the product is installed on.

All warranty returns must have an approved RGA number. The RGA number must be clearly marked on the exterior of the return package. All approved warranty returns must be shipped to Go Rhino Products, 1002 Carriers Drive, Laredo, Texas 78045.

## PRODUCT REGISTRATION

Please remember to register your new purchase. You may register your product at [www.gorhino.com](http://www.gorhino.com). Registering your product may help speed any future warranty or customer service inquiries.

**Thank you again for purchasing from Go Rhino Products**

Please take a few minutes to view additional products for your vehicle and more at [GORHINO.com](http://GORHINO.com)  
These installation instructions are available on the Go Rhino web site along with installation videos for many of our products.

[www.gorhino.com](http://www.gorhino.com)

[www.bigcountryauto.com](http://www.bigcountryauto.com)

[www.gorhinopd.com](http://www.gorhinopd.com)