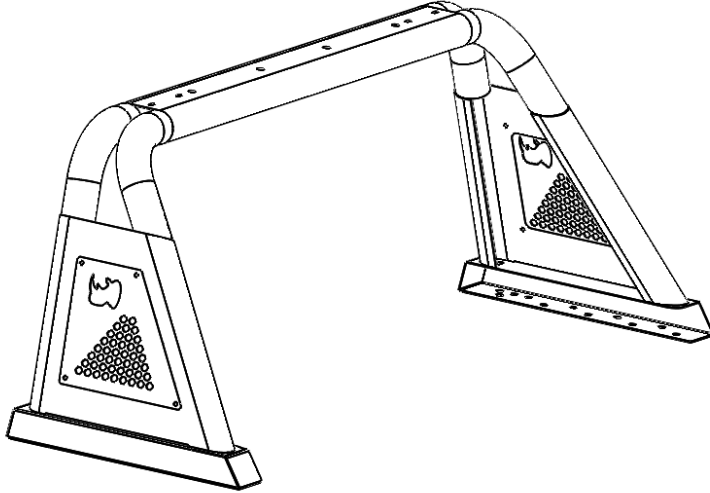


GORRHINO®

INSTALLATION INSTRUCTIONS



PART NO.

- 911003T
- 911003PS

PRODUCT DESCRIPTION:

- Sport Bar 3.0 Textured Black (Full size)
- Sport Bar 3.0 Polished Stainless Steel (Full size)

PRODUCT SAFETY & LEGAL DISCLAIMER

- **IMPORTANT READ ALL INSTRUCTIONS CAREFULLY BEFORE INSTALLING, FAILURE TO DO SO MAY CAUSE PERSONAL INJURY OR DAMAGE TO PRODUCT AND/OR PROPERTY.**
- **Review the product package and contents prior to beginning the installation.** Take care when opening the packaging and removing items. If a return is needed you will want to return the product in its original packaging if possible.
- This instruction guide is provided as a GENERAL installation guide, some vehicles vary dimensionally and may require additional steps.
- Test fit the product on the vehicle prior to any third party modifications and or finishing. The manufacturer and/or distributors do not accept responsibility for third party charges, labor and or third part replacement modifications. Some modifications may void the factory warranty.
- Exercise due-diligence when installing this product. The manufacturer and distributors of this product do not accept any responsibility for vehicle damage or personal injury resulting from the installation of this product. Careless installation and operation can result in serious injury or equipment damage.
- This product is for general off-road use. All liability for installation and use rests with the owner/operator.
- **INSTALLER:** Once installation is complete, please return this guide along with other documentation included in this product back to the consumer for future reference. The manufacturer/distributors of this product do not guarantee this particular version will be available at a later date.

© 2016 Go Rhino Products. All rights reserved

www.gorhino.com

589 W. Apollo St., Brea, CA 92821

P: 888 427 4466



INSTALLATION INSTRUCTIONS

INJURY HAZARD

Please complete a shop and tool inspection prior to beginning the installation.

- Always make sure you have a clean, dry and well lit work area.
- Always remove jewelry, loose fitting clothing and wear protective gloves and eye protection.
- Always use extreme caution when jacking or raising a vehicle for work. Set the emergency brake and use tire/wheel blocks and jack stands. Refer to the vehicle manufacturer hand book. Utilize the vehicle manufacturers designated lifting points.
- Always use appropriate and adequate care in lifting parts during disassembly and installation. Seek help in lifting heavy or large items into place. Utilize jacks and or lifting devices when available.
- Always insure products are secure during disassembly and installation.
- Always wear eye protection and take steps to protect any exposed skin during the installations. Drilling, cutting and grinding plastic and metal may create flying particles that can cause injury.
- Always use extreme caution when drilling, cutting and or grinding on a vehicle. Thoroughly inspect the area to be drilled, on both sides of material, prior to modification and relocate any objects that may become damaged.
- Always assemble and tighten all fasteners per the installation instructions.
- Always route electrical cables carefully. Avoid moving parts, parts that may become hot and rough or sharp edges.
- Always insulate and protect all exposed wiring and electrical connections.

MAINTENANCE AND CARE

- Always perform regular inspections and maintenance on mounts and related fasteners.
- Periodically check and tighten all fasteners.
- Stripped, fractured, or bent fasteners must be replaced.
- After washing the vehicle make sure to fully dry all surfaces.
- In areas with cold temperatures make sure to wash the product often to remove harmful materials used on road ways.
- Never use abrasive cleaners or polish compounds. Clean with a gentle soap and water. If you use wax use a non-abrasive automotive wax such as pure carnauba wax.

WARNING

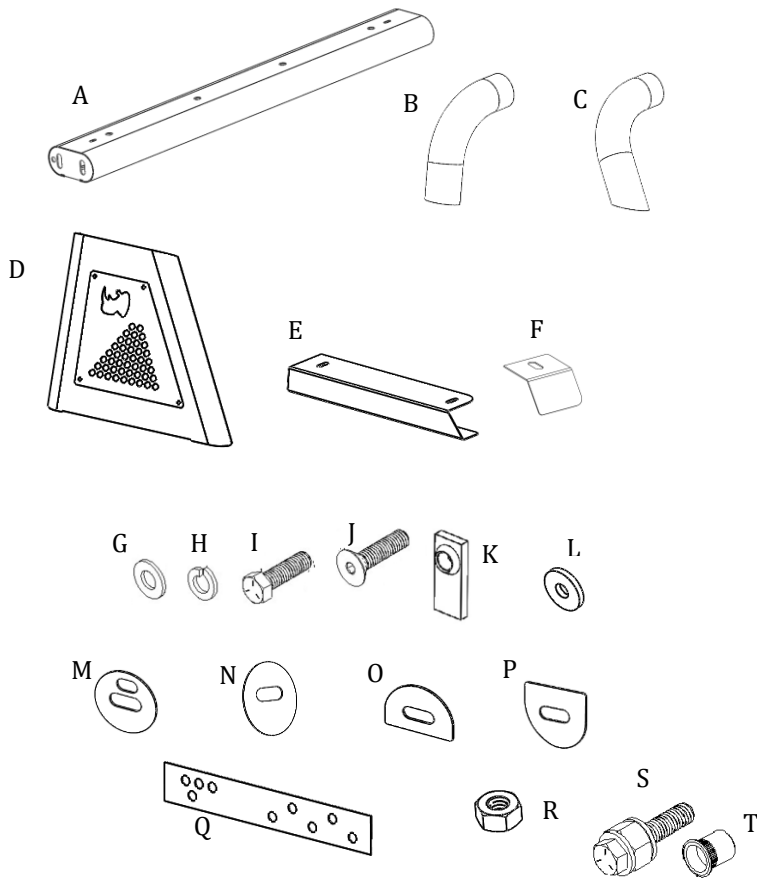
Some products have been designed to work together with factory rear sensor systems, factory forward facing sensor systems and factory air bags.

- Installation of some of these products may alter the factory sensor system performance.
- Factory sensors may read shackles or hooks protruding from the fairlead and or tow hooks.
- All sensor testing is completed by Go Rhino Products and or third party testing labs on modified vehicles.
- Sensor sensitivity, factory sensor housing, orientation, and operating conditions are all variables that will influence functionality of the sensors.
- Installation of some product may effect the factory air bag systems.
- Some products allow the use of third party products such as winches, shackles, hooks, etc. Follow the respective manufacturers operating instructions for use with our products.
- Make sure to fully understand the product, it's intended use and operation prior to use.
- Above all... be safe!

GO RHINO®

INSTALLATION INSTRUCTIONS

PARTS INCLUDED IN THIS LIST:



SPORTBAR 3.0		
ITEM	QTY	DESCRIPTION
A	1	CENTRAL BODY
B	2	FRONT TUBE
C	2	REAR TUBE
D	2	LATERAL BODY
E	2	MOUNTING BASE
F	2	COVER PLATE
G	12	3/8 " FLAT WASHER
H	16	3/8" LOCK WASHER
I	12	3/8" HEX HEAD BOLT
J	4	3/8" FLAT HEX BOLT
K	4	3/8" BOLT PLATE
L	8	1/4" METAL SPACER
M	6	CENTRAL BODY SPACER
N	2	REAR TUBE SPACER
O	2	LOWER FRONT SPACER
P	2	LOWER REAR SPACER
Q	2	MOUNTING BASE SPACER
R	4	3/8" NUT
S	1	RIVET NUT INSTALL TOOL
T	4	3/8" RIVET NUT

Go Rhino recommends you, the installer, read this installation instruction manual from front to back before installing the product. You may also [click here](#) to view an installation video or visit <http://www.gorhino.com/Installation-Videos>.

TOOLS NEEDED FOR INSTALLATION:

- 5/32" Hex Driver
- 7/32" Hex Driver
- 9/16" and 3/4" Wrench
- Power drill
- 17/32" Drill bit

ESTIMATED TIME FOR INSTALLATION:

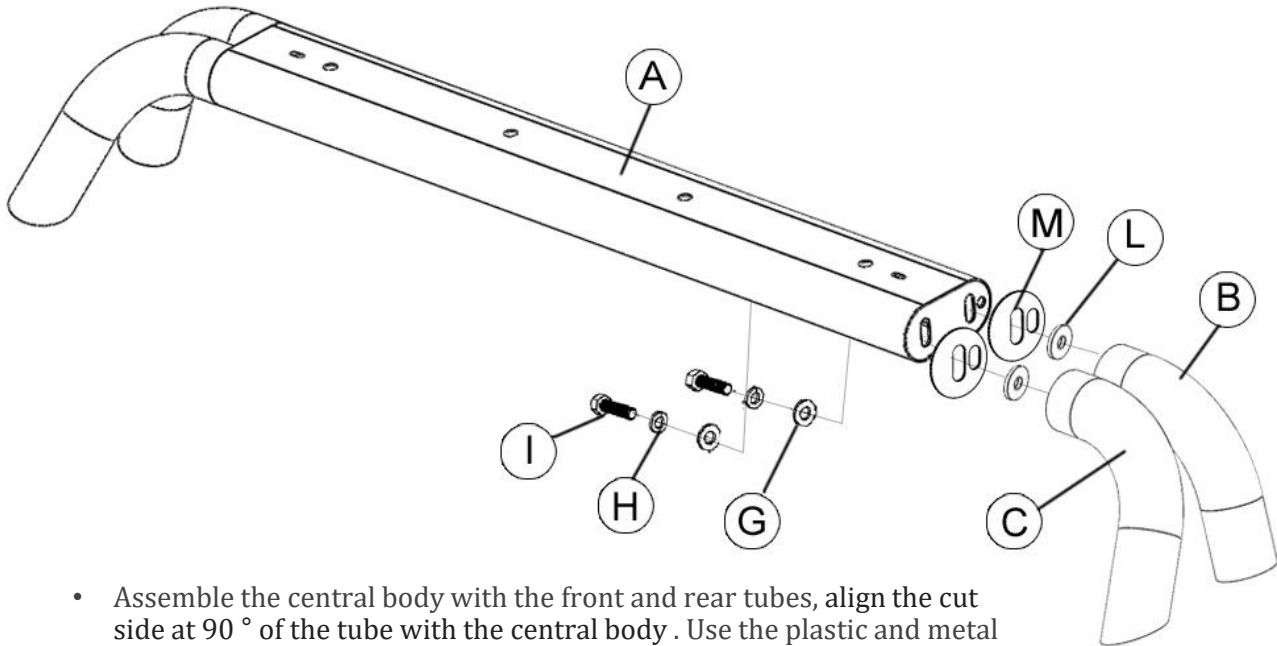
1 hour

If you need installation service for your new product, call the authorized distributor from whom you purchased the product or an authorized installation service company which can be found by calling toll free 1-888-427-4466

GO RHINO®

INSTALLATION INSTRUCTIONS

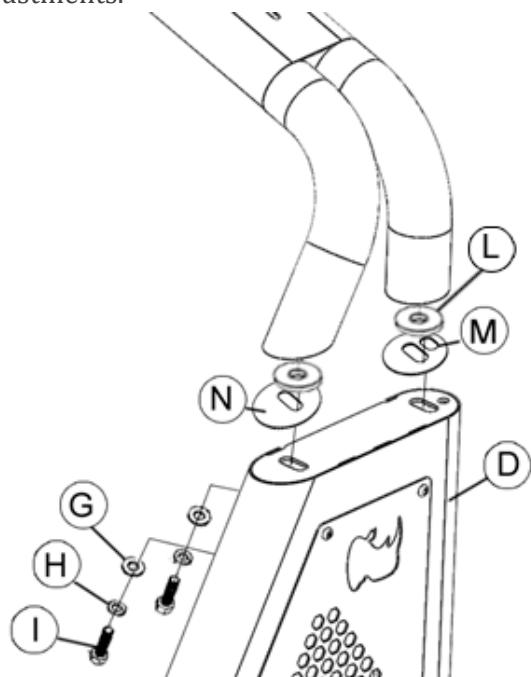
STEP #1



- Assemble the central body with the front and rear tubes, align the cut side at 90 ° of the tube with the central body . Use the plastic and metal spacers specified with the front and rear tube.
- Attach each tube to the body using (2) ¼" metal spacers, (2) 3/8" flat washers, (2) 3/8" lock washers and (2) 3/8" hex bolts per side.
- Do not fully tighten bolts, leave loose for final adjustments.

STEP #2

- Assemble the Lateral bodies with the front and rear tubes as shown. Use the plastic and metal spacers specified with the front and rear tube.
- Attach each tube to the body using (2) ¼" metal spacers, (2) 3/8" flat washers, (2) 3/8" lock washers and (2) 3/8" hex bolts per side.
- Do not fully tighten bolts, leave loose for final adjustments.

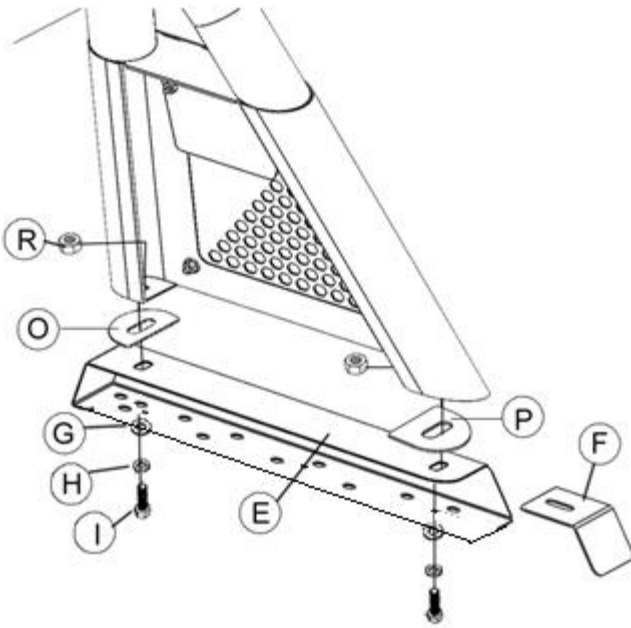


GO RHINO®

INSTALLATION INSTRUCTIONS

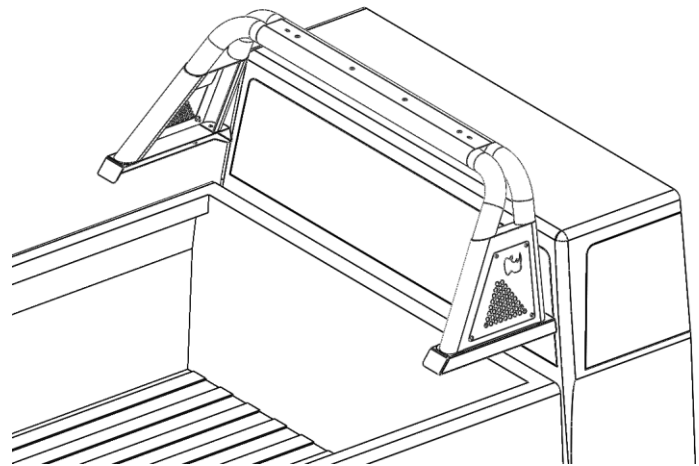
STEP # 3

- Assemble the mounting base with the lateral bodies. Use the spacer specified.
- Attach the lateral bodies using (2) 3/8" flat washers, (2) 3/8" lock washers (3) 3/8" hex bolts and (2) 3/8" nuts.
- Do not install the cover plates (F) if a bed cover is going to be used.
- Do not fully tighten bolts, leave loose for final adjustment.



STEP #4

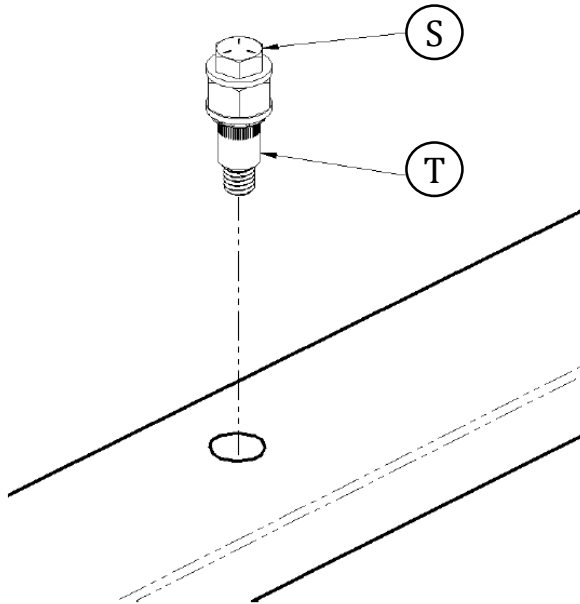
- Place sport bar on bed and align to desired position.
- Mark the two holes along mounting bracket (per side) to attach sport bar, making sure the underside of the bed rail is free from any obstruction if possible.
- Remove sport bar and drill 13/32" holes through bed rails.
- If holes can not be drill through top and bottom of bed rail proceed to step #4.1.



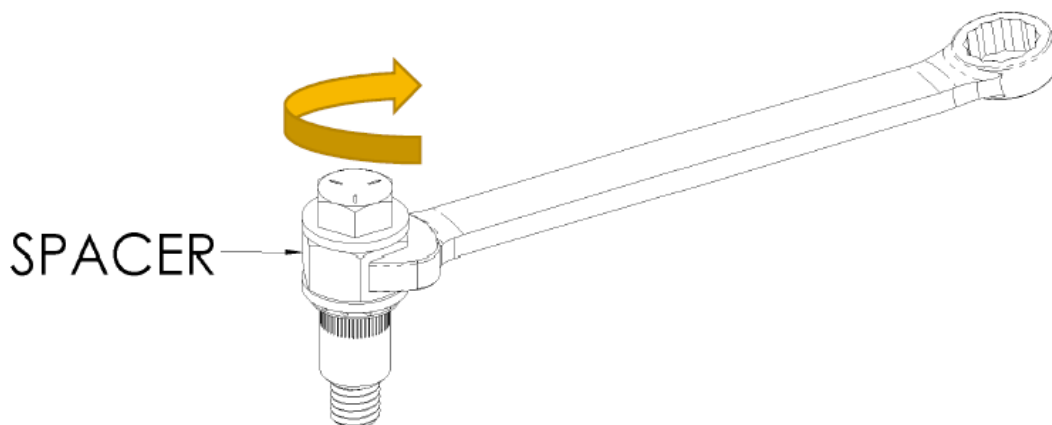
GORRHINO®

INSTALLATION INSTRUCTIONS

STEP # 4.1



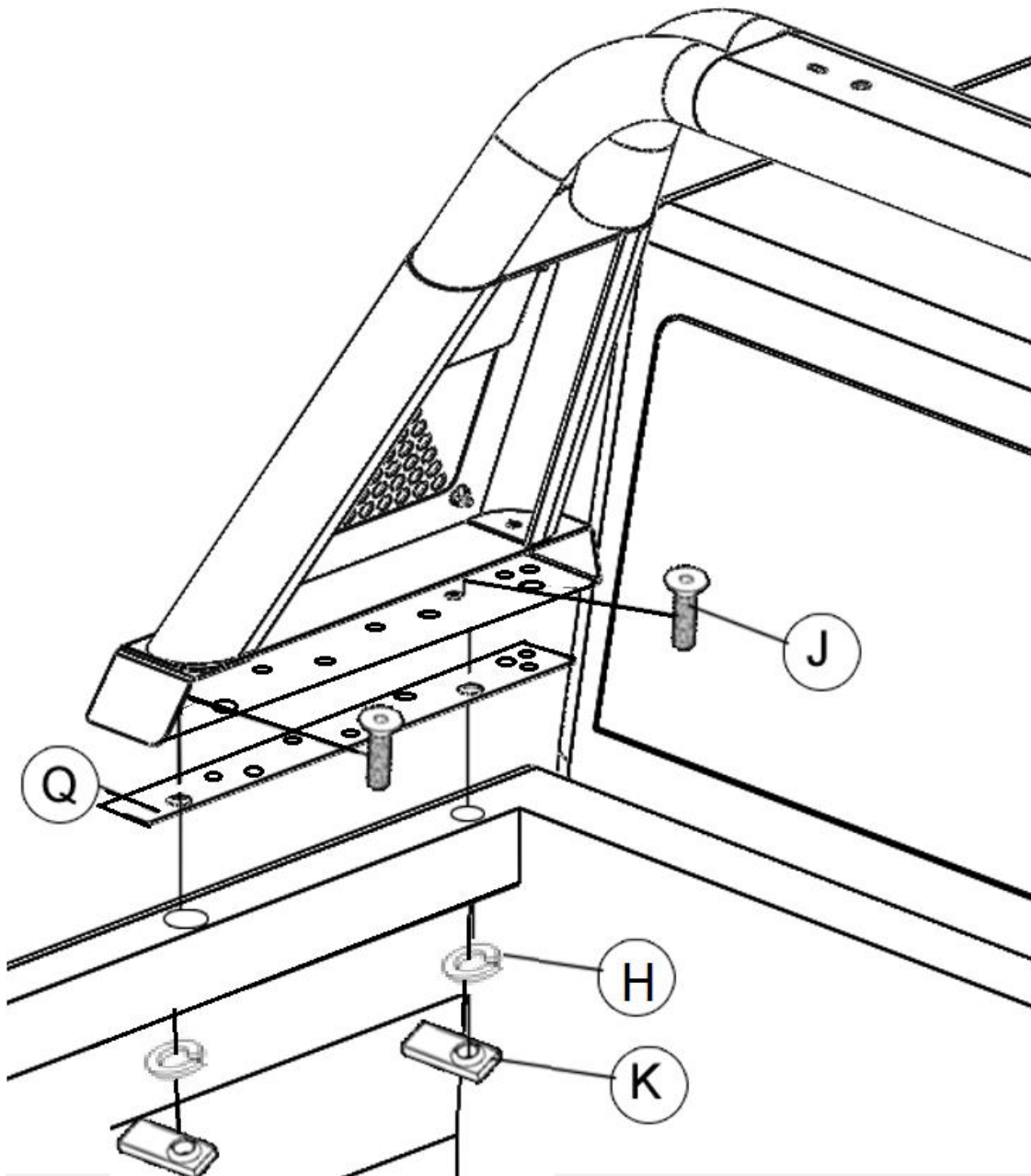
- Drill 17/32" holes through top side of bed rails.
- Apply automotive primer to any exposed metal.
- Hand tighten Rivet nut, Item T to rivet nut install Tool, Item S
- Insert Rivet Nut into 17/32" hole.
- Hold spacer with 3/4" wrench.
- Tighten bolt with 9/16" wrench or socket and ratchet, this will compress the rivet nut.
- Once tight, unscrew the bolt and rivet nut will be installed



INSTALLATION INSTRUCTIONS

STEP #5

- Apply automotive primer to any exposed metal.
- Place the sport bar over drilled mounting holes using the mounting base spacer as shown, both sides
- Attach the sport bar using (2) 3/8" bolt plates, (2) 3/8" lock washers and (2) 3/8" x 1 1/4" flat head bolts, per side





INSTALLATION INSTRUCTIONS

LIMITED WARRANTY

Go Rhino warrants to Buyer that for a period of five (5) years from the date of shipment of the product(s) ("Warranty Period") for black finishes and chrome finishes, that such products will materially conform to the specifications set forth in Go Rhino's specifications in effect as of the date of shipment(s) and will be free from material defects in material workmanship.

Go Rhino warrants to Buyer that for the life of the product(s) from the date of shipment of the product(s) ("Warranty Period") for polished stainless steel finished products purchased after April 2004, that such products will materially conform to the specifications set forth in Go Rhino's specifications in effect as of the date of shipments and will be free from material defects in material workmanship.

Warranty claims must be accompanied with the original invoice and photos of the product. It is the customer's responsibility to clean regularly and protect finish with regular applications of a nonabrasive polish that is compatible with the product's finish.

This warranty covers the cost of the product only and does not include the cost of removal, installation, third party modifications or shipping of the product. In no event shall Go Rhino be liable to buyer or any third party for any damage or harm caused by the product or use thereof, regardless of weather such damages were foreseeable and whether or not Go Rhino has been advised of the possibility of such damages, not withstanding the failure of any agreed or other remedy of its essential purpose. This warranty is void if the product shows signs of alteration, misuse, mishandling, improper care, neglect, improper application and/or damage due to improper installation.

With respect to any such product(s) during the limited warranty period, Go Rhino shall, in its sole discretion, either: (i) provide a one-time repair or replacement of such products (or the defective part) or (ii) credit or refund the price of such products at the pro rata contract rate provided that, if Go Rhino so requests, Buyer shall, at Go Rhino's expense, return such product(s) to Go Rhino. The remedies shall be the Buyer's sole and exclusive remedy and Go Rhino's entire liability for any breach of the limited warrant(ies).

Go Rhino disclaims all other warranties except to the extent that any such warranty cannot be validly disclaimed under applicable law.

Finish Limited Warranty:

Limited lifetime on stainless steel products (after April 2004)
5 year warranty on black powder coat products
5 year warranty on chrome products
This warranty does not cover exposed welds

Finish warranty covers peeling, flaking, or cracking. Washing all finishes regularly with car wash soap and rinsing well with water is the best method for maintaining the finish on your products. You must also protect the finish with nonabrasive automotive wax on a regular basis. The use of any compound which contains abrasives becomes a self-defeating exercise as the compound scratches the finish and opens it to corrosion. The use of harsh chemicals used to remove bugs and tar may also cause the finish to fail and should be avoided.

If you are unsatisfied with your purchase please contact the establishment you purchased the product from.

If you need to place a warranty claim or need assistance, the Go Rhino customer service team will answer any questions you may have. Please contact the Go Rhino customer service team at 1-888-427-4466 during normal business hours Monday thru Friday 7 am to 5 pm PST. You may also email warranty@gorhino.com. In order to better serve you please provide a copy of the original invoice / receipt, a photo of the issue you are experiencing and a photo of the vehicle the product is installed on.

All warranty returns must have an approved RGA number. The RGA number must be clearly marked on the exterior of the return package. All approved warranty returns must be shipped to Go Rhino Products, 1002 Carriers Drive, Laredo, Texas 78045.

PRODUCT REGISTRATION

Please remember to register your new purchase. You may register your product at www.gorhino.com. Registering your product may help speed any future warranty or customer service inquiries.

Thank you again for purchasing from Go Rhino Products

Please take a few minutes to view additional products for your vehicle and more at GORHINO.com
These installation instructions are available on the Go Rhino web site along with installation videos for many of our products.

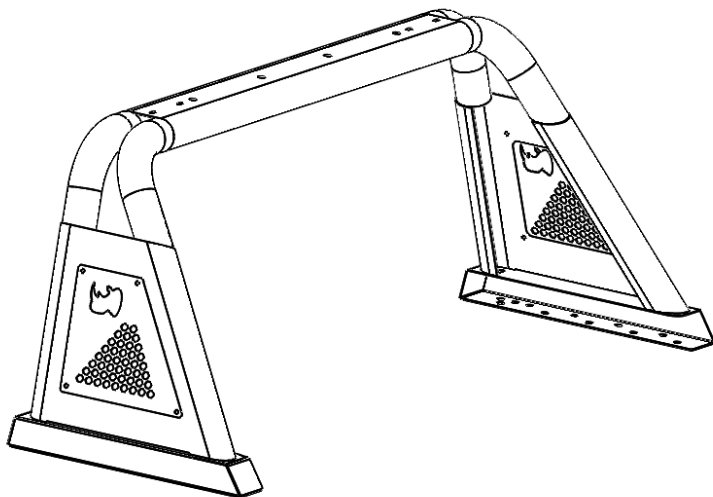
www.gorhino.com

www.bigcountryauto.com

www.gorhinopd.com

GORRHINO®

INSTRUCCIONES DE INSTALACION



NUMERO DE PARTE.

- 911003T
- 911003PS

DESCRIPCION DE PRODUCTO:

- Sport Bar 3.0 Negro texturizado(Tamaño grande)
- Sport Bar 3.0 Acero inoxidable pulido(Tamaño grande)

SEGURIDAD DEL PRODUCTO Y RENUNCIA LEGAL

IMPORTANTE LEA TODAS LAS INSTRUCCIONES CUIDADOSAMENTE ANTES DE INSTALAR, DE NO HACER ESTO PUEDE CAUSAR LESIONES PERSONALES O DAÑAR EL PRODUCTO Y / O LA PROPIEDAD

- **Revise** el paquete y el contenido del producto antes de comenzar la instalación. Tenga cuidado al abrir el embalaje y retirar los artículos. Si una vuelta es necesaria usted deseará volver el producto en su empaquetado original si es posible.
- Esta guía de instrucciones se proporciona como guía de instalación GENERAL, algunos vehículos varían dimensionalmente y pueden requerir pasos adicionales.
- Pruebe el ajuste del producto en el vehículo antes de cualquier modificación de terceros y / o el acabado. El fabricante y / o los distribuidores no se hacen responsables de los cargos de terceros, mano de obra y modificaciones de reemplazo de terceros. Algunas modificaciones pueden anular la garantía de fábrica.
- Ejerza la debida diligencia al instalar este producto. El fabricante y los distribuidores de este producto no aceptan ninguna responsabilidad por daños al vehículo o lesiones personales resultantes de la instalación de este producto. La instalación y operación descuidadas pueden ocasionar lesiones graves o daños al equipo.
- Este producto es para uso general fuera de carretera. Toda responsabilidad por la instalación y el uso recae en el propietario / operador.
- **INSTALADOR:** Una vez que la instalación esté completa, por favor devuelva esta guía junto con la otra documentación incluida en este producto al consumidor para referencia futura. Los fabricantes / distribuidores de este producto no garantizan que esta versión en particular estará disponible en una fecha posterior.

© 2016 Go Rhino Products. All rights reserved

www.gorhino.com

589 W. Apollo St., Brea, CA 92821

P: 888 427 4466



INSTRUCCIONES DE INSTALACION

RIESGO DE LESION

Por favor realice una inspección de piezas y antes de comenzar la instalación.

- Siempre asegúrese de que tiene un área de trabajo limpia, seca y bien iluminada.
- Quítese las joyas, suelta prendas ajustadas y siempre use guantes protectores y protección para los ojos.
- Siempre tenga mucho cuidado cuando eleve un vehículo para el trabajo.
- Ajuste el freno de emergencia y use bloques de neumático. Consulte el manual del fabricante de vehículo. Y Utilice los puntos de elevación señalados por los fabricantes de vehículos
- Siempre tenga cuidado apropiado y adecuado en partes elevación durante el desmontaje e instalación.
- Busque ayuda para levantar objetos pesados o grandes.
- Utilice conectores y dispositivos de elevación cuando sean necesarios.
- Siempre asegúrese de que los productos son seguros durante el desmontaje e instalación.
- Siempre use protección para los ojos y tome medidas para proteger cualquier piel expuesta durante las instalaciones.
- Siempre tenga mucho cuidado al taladrar y corta. La Perforación, corte y pulido de metal y plástico pueden crear partículas voladoras que pueden causar lesiones.

MANTENIMIENTO Y CUIDADO

- Siempre Realice inspecciones regulares y mantenimiento en montajes y fijaciones.
- Periódicamente Compruebe y apriete todos los tornillos.
- Deben ser reemplazados sujetadores pelados, fracturados o doblados.
- Después de lavar el vehículo, asegúrese de secar completamente todas las superficies.
- En áreas con temperaturas frías Asegúrese de lavar el producto con frecuencia para eliminar materiales nocivos usados en maneras del camino.
- Nunca use limpiadores abrasivos o compuestos para pulir.
- Limpie con un jabón suave y agua.
- Si utilizas cera, use una cera automotriz no abrasiva como pura cera de carnauba.

ADVERTENCIA

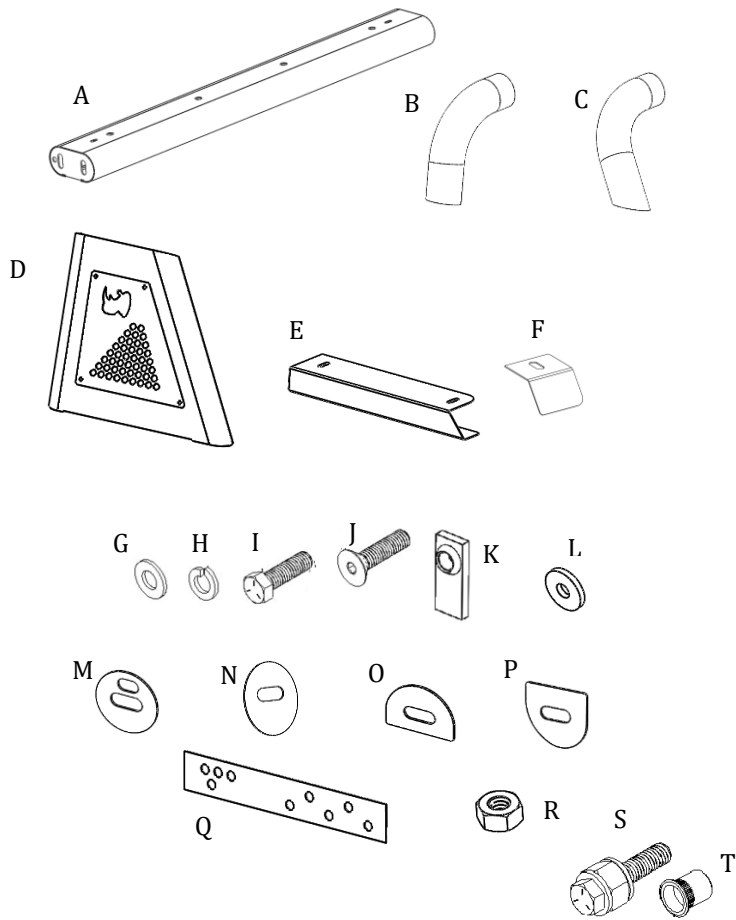
Algunos productos han sido diseñados para trabajar conjuntamente con sistemas de sensor traseros, delanteros y de bolsas de aire.

- La instalación de algunos de estos productos puede alterar el funcionamiento del sistema de sensor fábrica.
- Los sensores de fábrica pueden leer los ganchos que sobresalen del producto.
- Todas las prueba de sensores se hace por Go Rhino Products y o por un laboratorio externo.
- La sensibilidad del sensor, las conexiones de los sensores, las condiciones de funcionamiento son todas las variables que influyen en la funcionalidad de los sensores.
- La instalación de algunos productos pueden afectar los sistemas de bolsas de aire de fábrica.
- Algunos productos permiten el uso de productos de terceros como malacates, ganchos, grilletes, etcétera. Siga las instrucciones de los fabricantes respectivos para su uso con nuestros productos.
- Asegúrese de entender completamente el producto, uso y operación antes de usar.
- Sobre todo... Cúidate!

GO RHINO®

INSTRUCCIONES DE INSTALACION

PARTES INCLUIDAS:



SPORTBAR 3.0		
ITEM	CANT.	DESCRIPCION
A	1	CUERPO CENTRAL
B	2	TUBO FRONTAL
C	2	TUBO TRASERO
D	2	CUERPO LATERAL
E	2	BASE DE MONTAJE
F	2	PLACA DE CUBIERTA
G	12	RONDANA PLANA 3/8"
H	12	RONDANA DE PRESION 3/8"
I	12	TORNILLO HEXAGONAL 3/8"
J	4	TORNILLO CABEZA PLANA 3/8"
K	4	SOLERA ROSCADA 3/8"
L	8	ESPACIADOR DE METAL 1/4"
M	6	EMPAQUE DE CUERPO CENTRAL
N	2	EMPAQUE DE TUBO TRASERO
O	2	EMPAQUE FRONTAL INFERIOR
P	2	EMPAQUE TRASERO INFERIOR
Q	2	EMPAQUE DE BASE
R	4	TUERCA DE 3/8"
S	1	HERRAMIENTA DE TUERCA INS.
T	4	TUERCA INSERTO 3/8"

Go Rhino te recomienda leer y comprender todas las instrucciones antes de instalar.

HERRAMIENTAS NECESARIAS:

- Llave de 5/32"
- Llave de 7/32"
- Dados de 9/16.
- matraca
- Taladro
- Broca 17/32"

TIEPO ESTIMADO DE INSTALACION:

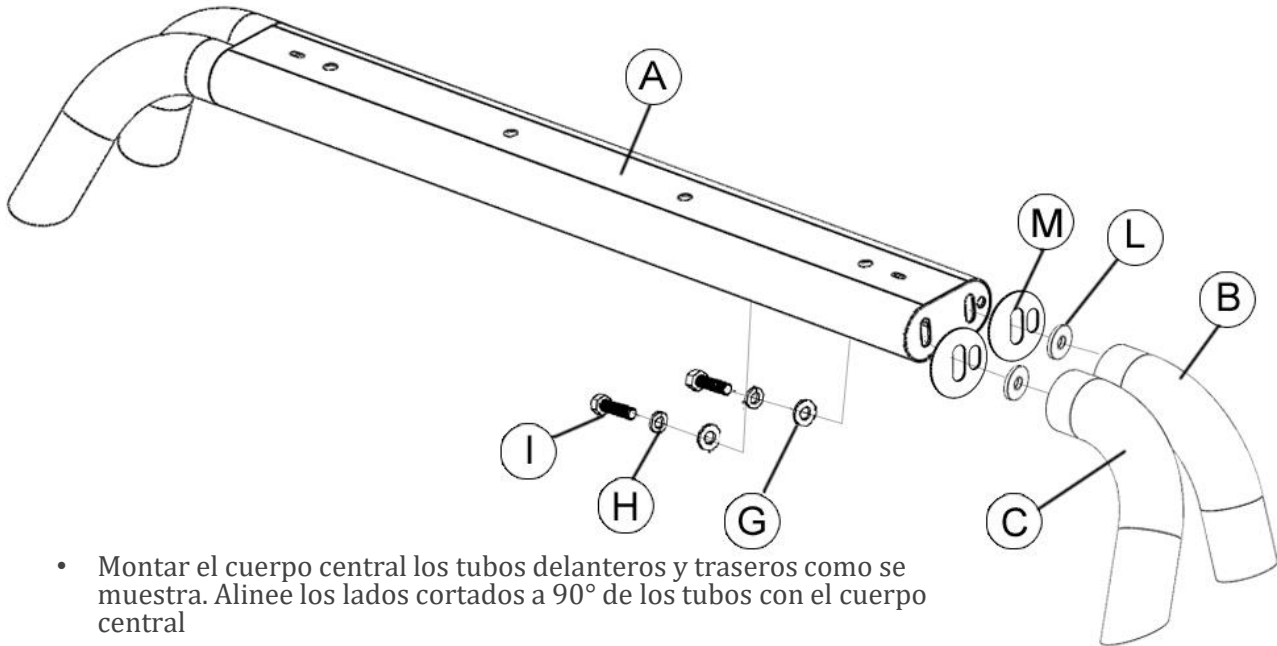
1 hora

Si necesita servicio de instalación de su nuevo producto, llame al distribuidor autorizado a quien usted compró el producto o una compañía de servicio autorizada instalación que se puede encontrar llamando al número gratuito 1-888-427-4466 en EUA.

GO RHINO®

INSTRUCCIONES DE INSTALACION

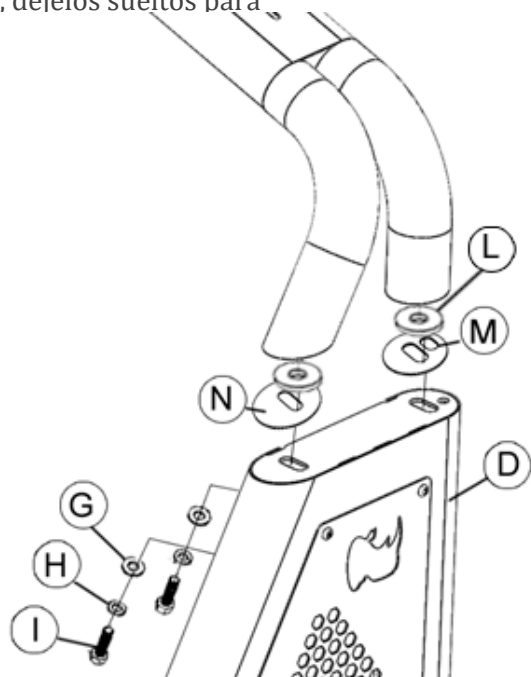
PASO #1



- Montar el cuerpo central los tubos delanteros y traseros como se muestra. Alinee los lados cortados a 90° de los tubos con el cuerpo central
- Utilice a los espaciadores de plástico y de metal con los tubos delanteros y traseros.
- Fije cada tubo al cuerpo utilizando espaciadores de metal de 1/4" (2), (2) rondanas planas de 3/8", (2) rondanas de presión de 3/8" y (2) tornillos de 3/8" por lado. No apriete los tornillos, deielos sueltos para los ajustes finales.

PASO #2

- Monte los cuerpos laterales con los tubos delanteros y traseros como se muestra. Utilice a los espaciadores de plástico y de metal con los tubos. Fije cada tubo al cuerpo con (2) rondanas planas de 3/8", (2) 3/8" rondanas de presión, separadores de metal de 1/4" (2) y (2) tornillos hexagonales de 3/8" por lado. No apriete los tornillos, deje sueltos para los ajustes finales.

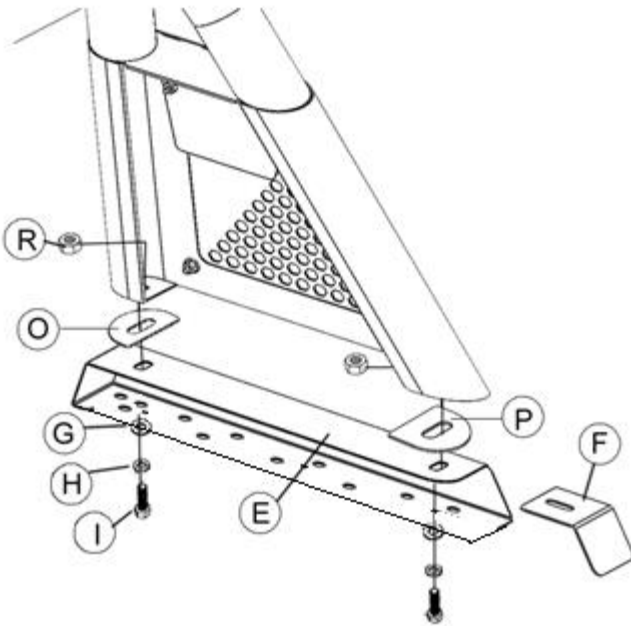


GO RHINO®

INSTRUCCIONES DE INSTALACION

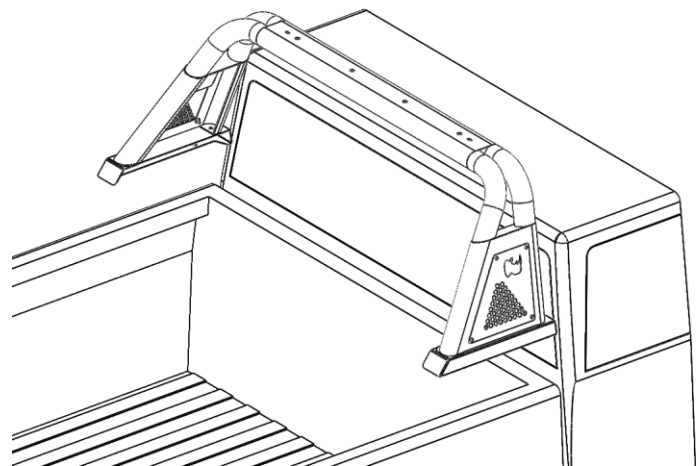
PASO # 3

- Arme la base con los cuerpos laterales de montaje.
- Utilice el separador especificado. Acople los cuerpos laterales usando (2) rondanas planas de 3/8", (2) 3/8" arandelas (3) 3/8" hexagonal pernos y tuercas de 3/8" (2).
- No instale las placas de cubierta (F) si una cubierta de cama va a ser utilizada.
- No apriete los tornillos, deje sueltos para el ajuste final.



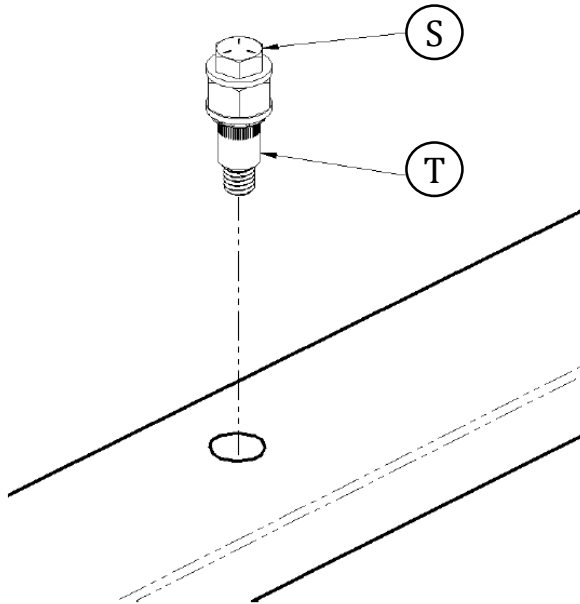
PASO #4

- Coloque el Sportbar en cama y alinee a la posición deseada. Marque los dos orificios a lo largo de soporte (por lado) para instalar el Sportbar, asegurándose de que la parte inferior del borde de la cama este libre de cualquier obstrucción. Quite el Sportbar y perforo agujeros 13/32" a través del borde de la cama.

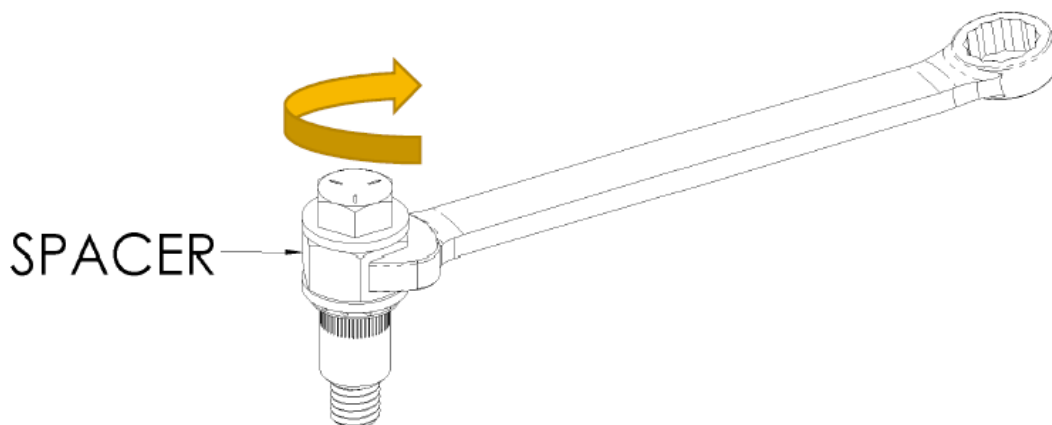


INSTALLATION INSTRUCTIONS

PASO # 4.1



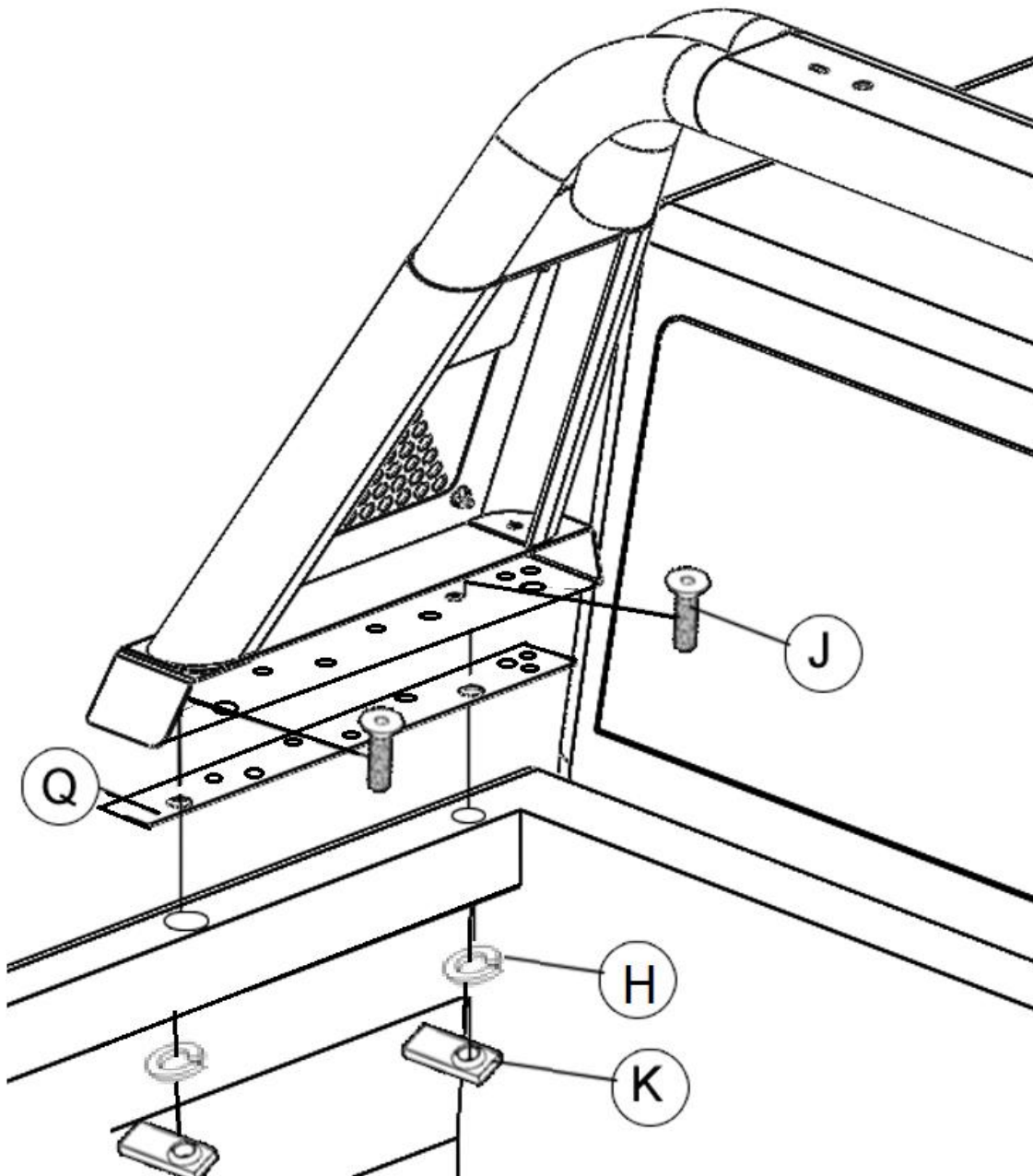
- Taladre orificios de 17/32" en el lado superior de los rieles de la cama.
- Aplique imprimación para automóviles a cualquier metal expuesto.
- Sujete la tuerca remachable junto la herramienta para remachar.
- Inserte la tuerca remachable en el barreno de 17/32"
- Apriete el tornillo con una llave de 9/16", esto comprimirá la tuerca remachable.
- Una vez apretada, afloje el tornillo y la tuerca quedara instalada.



INSTRUCCIONES DE INSTALACION

PASO #5

- Aplique una imprimación automotriz a cualquier metal expuesto.
- Coloque el Sportbar en los orificios de fijación taladrados usando al espaciador base de montaje como se muestra.
- Instale el Sportbar usando (2) soleras roscadas 3/8", (2) rondanas de presión de 3/8" y (2) tornillos de cabeza plana 3/8" x 1 1/4", por cada lado.





INSTRUCCIONES DE INSTALACION

GARANTIA LIMITADA

Go Rhino garantiza al comprador durante un período de cinco 5 años desde la fecha del envío del producto ("período de garantía") para el negro acabados y cromados, que tales productos materialmente se ajustan a las especificaciones establecidas por Go Rhino en vigor en la fecha de envíos y estará libre de defectos de material y mano de obra material.

GoRhino garantiza al comprador que durante la vida útil de los productos de la fecha de envío del producto ("período de garantía") de acero inoxidable pulido comprados después de abril de 2004, los productos se ajustan sustancialmente a las especificaciones de Go Rhino en efecto a partir de la fecha de los envíos y estarán libres de defectos de material y mano de obra material.

La garantía debe ir acompañada de la factura y fotos del producto original. Es responsabilidad del cliente limpiar periódicamente y proteger el acabado con aplicaciones regulares de una cera no abrasiva que es compatible con el acabado del producto.

Esta garantía cubre el costo del producto solamente y no incluye el costo de remoción, instalación, modificaciones de tercera persona o envío del producto. En ningún caso Go Rhino será responsable ante el comprador o terceros por cualquier daño o perjuicio causado por el producto o el uso de los mismos, sin importar el tiempo en tales daños fueron previsibles y si Go Rhino ha sido advertido de la posibilidad de tales daños, no obstante el fracaso de cualquier remedio convenido u otro de su propósito esencial. Esta garantía es nula si el producto muestra signos de alteración, mal uso, cuidado inadecuado, negligencia, aplicación incorrecta y/o daños causados por instalación inadecuada.

Con respecto a cualquiera de dichos productos durante el período de garantía limitada, Go Rhino, a su sola discreción, deberá: (1) Proveer con la reparación o reemplazo de dichos productos (o la parte defectuosa), o (2) el crédito o el reembolso del costo de dichos productos a la condición de que si Go Rhino lo solicita al comprador, a expensas de Go Rhino, devolverá dichos productos a Go Rhino. Los recursos serán el único y exclusivo remedio del Comprador y la responsabilidad total de Go Rhino por cualquier incumplimiento de la (s) garantía (s) limitada (s). Go Rhino rechaza todas las demás garantías excepto en la medida en que tal garantía no pueda ser válidamente rechazada bajo la ley.

Garantía limitada de acabado:

Garantía limitada de por vida de productos de acero inoxidable (después de abril de 2004)

Garantía de 5 años en productos con pintura

5 años de garantía en productos de cromo

Esta garantía no cubre las soldaduras expuestas

La garantía de acabado cubre el descapelado, descamación o grietas. Lavar todos los acabados regularmente con jabón de lavado de autos y enjuagar bien con agua es el mejor método para mantener el acabado de sus productos. También debe proteger el acabado con cera automotriz no abrasiva regularmente. El uso de cualquier compuesto que contenga abrasivos se convierte en un agente autodestructivo, ya que el compuesto rasca el acabado y lo abre a la corrosión. El uso de productos químicos ásperos usados para quitar bichos y alquitrán también puede hacer que el acabado se deteriore y debe ser evitado.

Si no está satisfecho con su compra, póngase en contacto con el establecimiento donde adquirió el producto.

Si necesita presentar una reclamación de garantía o necesita asistencia, el equipo de servicio al cliente de Go Rhino responderá cualquier pregunta que pueda tener. Por favor contacte al equipo de Servicio al Cliente de Go Rhino al 1-888-427-4466 durante hora de trabajo de Lunes a Viernes de 7 am a 5 pm (tiempo del pacifico), también puedes contactarnos por email warranty@gorhino.com.

Con el fin de servirle mejor por favor proporcione una copia de Factura / recibo original, una foto del problema que está experimentando y una foto del vehículo en el que está instalado el producto.

Todas las devoluciones de la garantía deben tener un número RGA aprobado. El número RGA debe estar claramente marcado en el exterior del paquete a devolver. Todas las devoluciones de garantía aprobadas deben enviarse a Go Rhino Products, 1002 Carriers Drive, Laredo, Texas 78045.

REGISTRO DE PRODUCTO

Recuerde registrar su nueva adquisición. Usted puede registrar su producto en www.gorhino.com. Registrar su producto puede ayudar a acelerar cualquier consulta de servicio de garantía o compra futura.

Gracias otra vez por comprar productos Go Rhino

Por favor, tómese unos minutos para ver productos adicionales para su vehículo y más en GORHINO.com Estas instrucciones de instalación están disponibles en el sitio web de Go Rhino junto con videos de instalación para Muchos de nuestros productos.

www.gorhino.com

www.bigcountryauto.com

www.gorhinopd.com