

## K2 SPORT BAR FOR HILUX 2015+

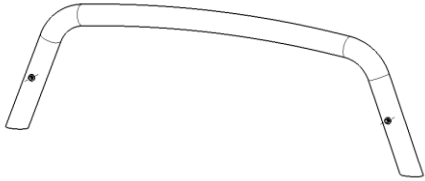
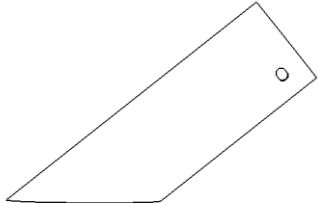
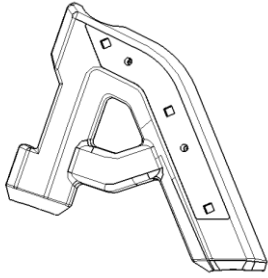
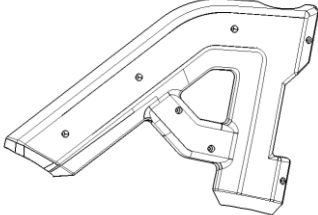
### Before Installation

- Please read the instruction completely for easy installation, which will also help you to avoid scratches or other potential damages to your appealing car.
- The information shown here is for reference only and may differ from the product that you receive, however the goods are fitted in the same way.

### Care and Cleaning

- Mild soap may be used also to clean the Product.
- Please periodically check and retighten all the hardware and clean the investment for a refresh look.

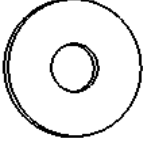

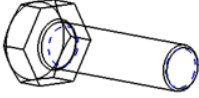

### Parts list

NO.	QTY	PICTURE	NO.	QTY	PICTURE
①	1	 MAIN TUBE	②	2	 SIDE TUBE (L&R)
③	2	 FRONT COVER (L&R)	④	2	 REAR COVER (L&R)

# INSTALLATION INSTRUCTIONS

5	2	<p>PLASTICE FRAME (L&amp;R)</p>	6	2	<p>DECORATION PLATE (L&amp;R)</p>
7	2	<p>BRACKETS FOR SOFT TONNEAU COVER (L&amp;R)</p>	8	2	<p>FRONT RUBBER COVER (L&amp;R)</p>
9	2	<p>REAR RUBBER COVER (L&amp;R)</p>	10	2	<p>STICKERS</p>
11	2	<p>ST4_16</p>	12	14	<p>ST4.2_30</p>
13	8	<p>HEX NUT M6</p>	14	16	<p>LARGE WASHER D6</p>
15	8	<p>SPRING WASHER D6</p>	16	8	<p>HEX NUT M6*35</p>
17	4	<p>LARGE WASHER D10</p>	18	4	<p>SPRING WASHER D10</p>
19	4	<p>HEX NUT M10*40</p>	20	4	<p>HEX NUT M8</p>

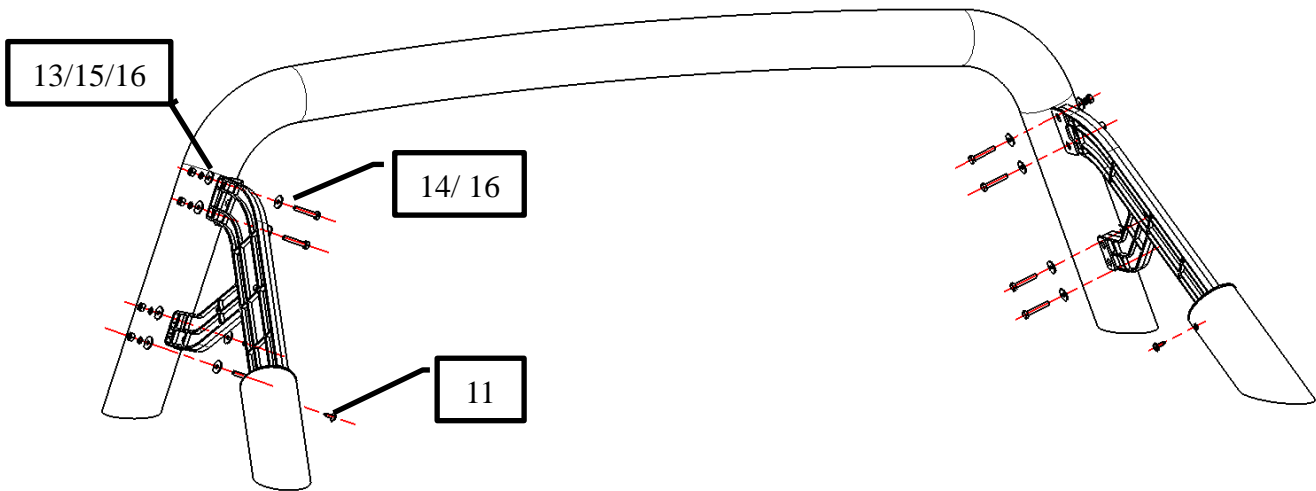
# INSTALLATION INSTRUCTIONS

21	8	 WASHER D8	22	4	 SPRING WASHER D8
23	4	 HEX NUT M8*40	24	1	 HEX KEY TOOL S=6

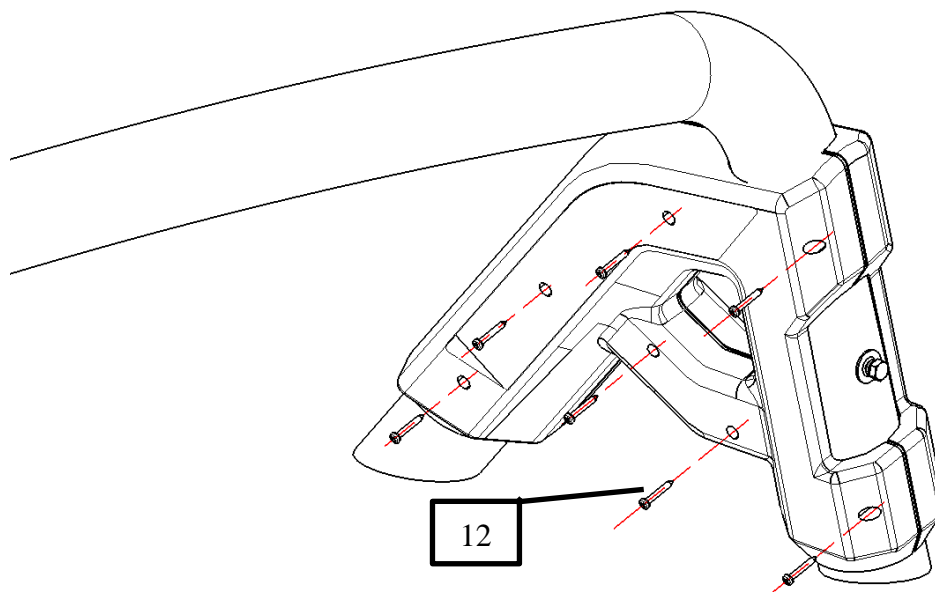
## Installation Steps

### Installation Fig.

Step 1: Connect the main tube and side tubes with plastic frame (L&R).

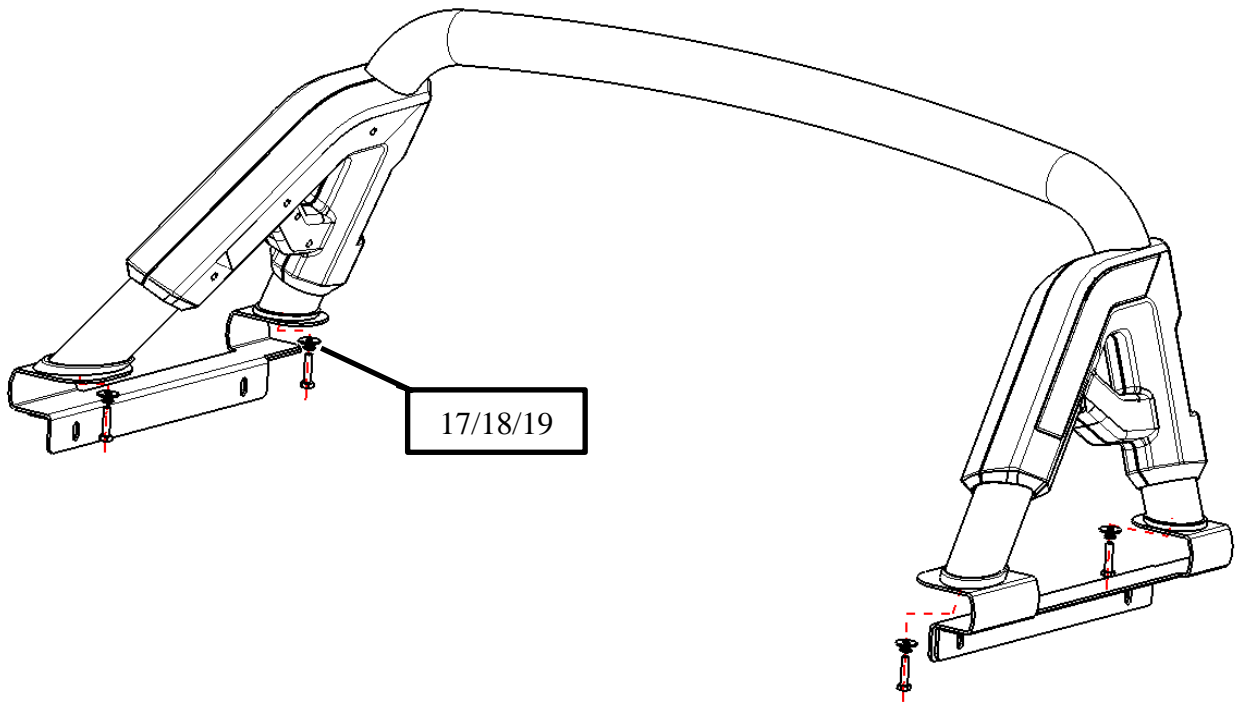


Step 2: Install the front and rear plastic cover with ST4.2\_30.

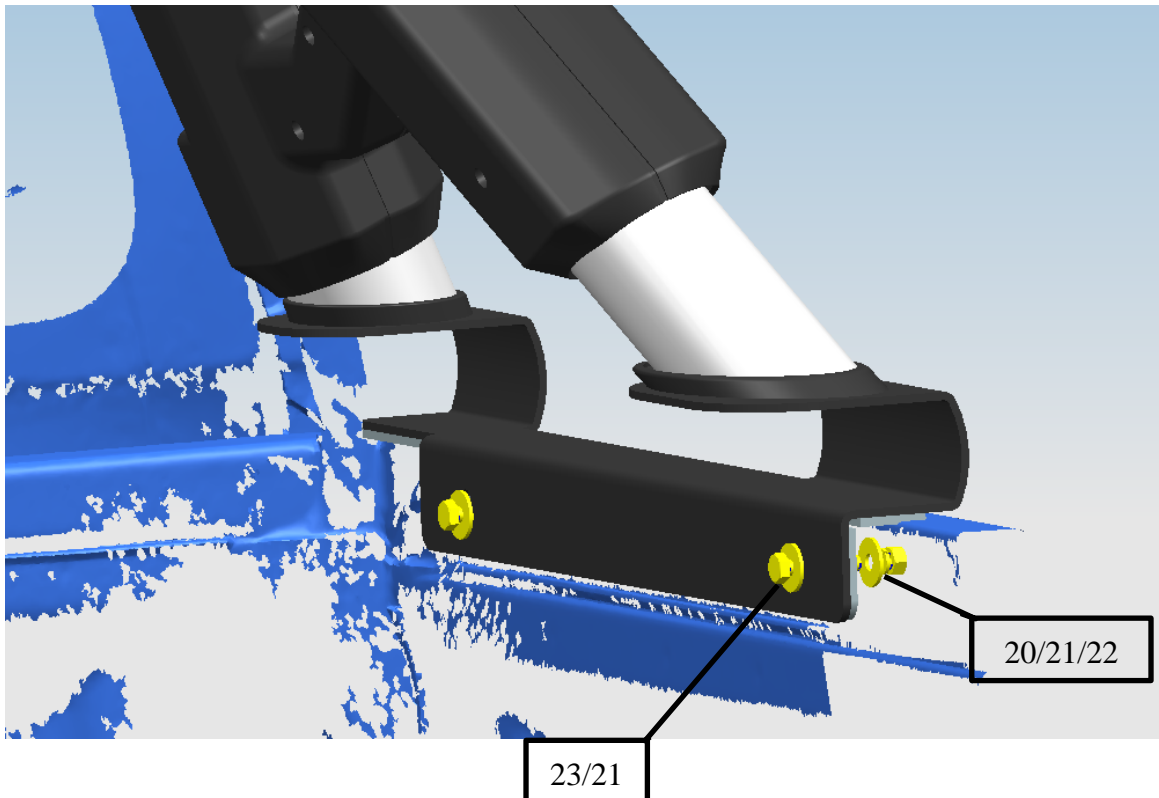


## INSTALLATION INSTRUCTIONS

Step 3: Connect the sport bar and brackets=8/9/17/18/19.

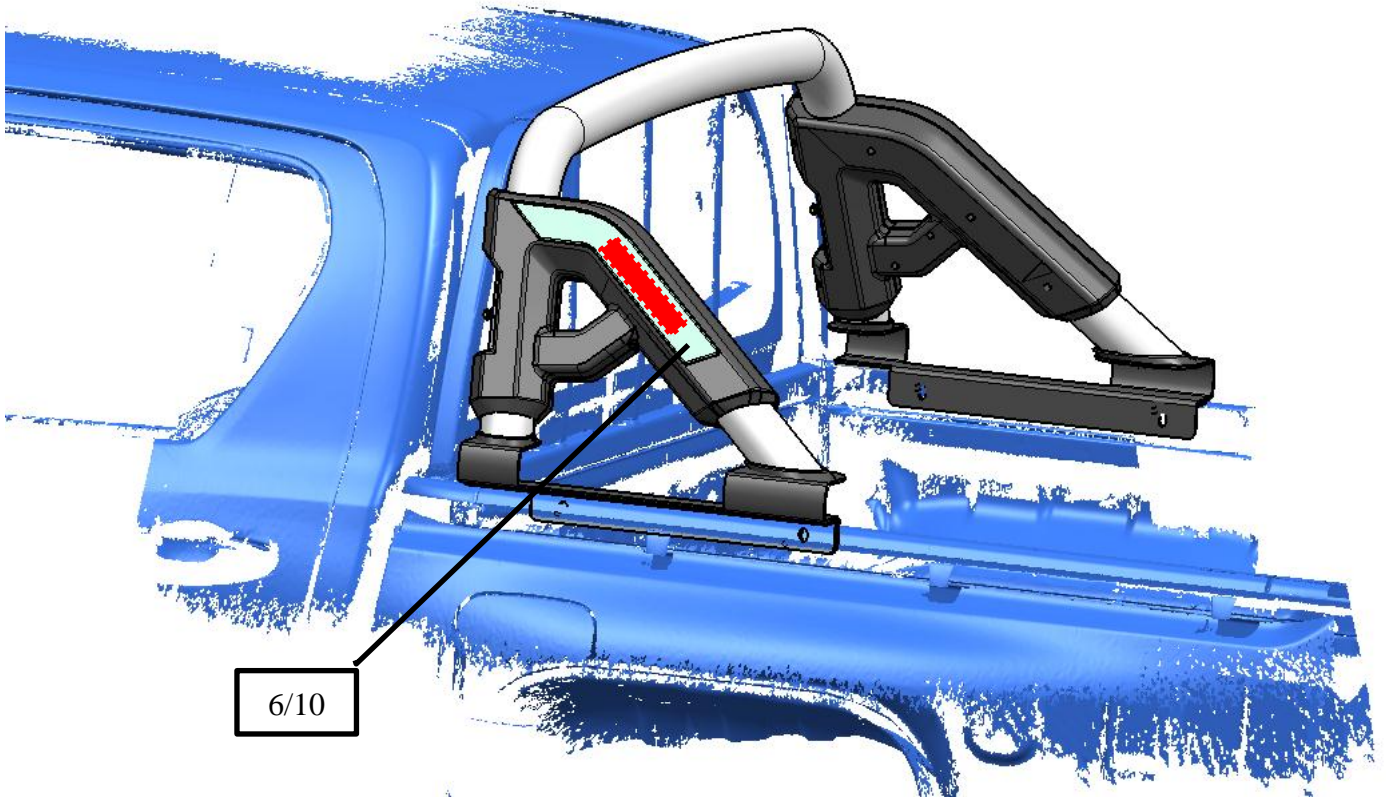


Step 4: Putting the roll bar on the Pick Up, adjusting the position, then marking and drilling 4 holes ( $\Phi 12$ ) on the inside of carriage and install HEX NUT M12\*40.



Step 5: Stick on the stickers.

## INSTALLATION INSTRUCTIONS



Step 6: Installation is finished, pick up all tools.

### NOTE

Any damages and losses caused by improper installation and application, goes beyond our quality warranty.