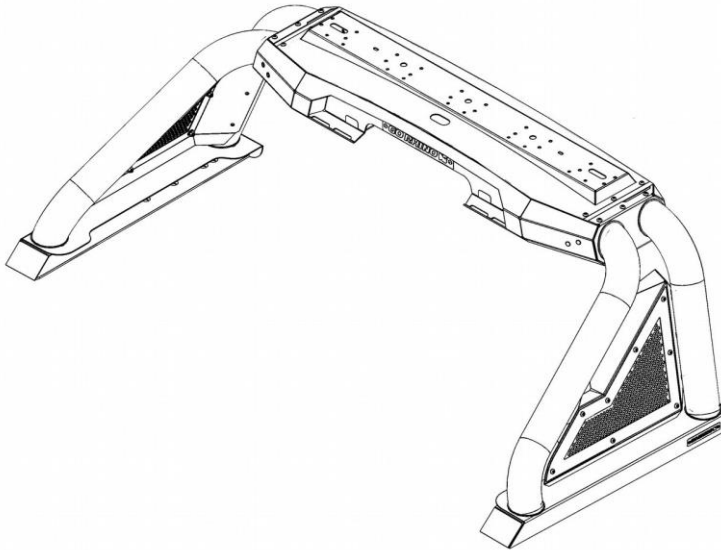


GORRHINO®

INSTALLATION INSTRUCTIONS



PART NO.

- 915105T
- 915105PS

PRODUCT DESCRIPTION:

- Sport Bar 2.0, Mid size Textured Black (International Vehicles)
- Sport Bar 2.0, Mid size Polished Stainless Steel Tubes (international Vehicles)

PRODUCT SAFETY & LEGAL DISCLAIMER

- **IMPORTANT READ ALL INSTRUCTIONS CAREFULLY BEFORE INSTALLING, FAILURE TO DO SO MAY CAUSE PERSONAL INJURY OR DAMAGE TO PRODUCT AND/OR PROPERTY.**
- **Review the product package and contents prior to beginning the installation.** Take care when opening the packaging and removing items. If a return is needed you will want to return the product in its original packaging if possible.
- This instruction guide is provided as a GENERAL installation guide, some vehicles vary dimensionally and may require additional steps.
- Test fit the product on the vehicle prior to any third part modifications and or finishing. The manufacturer and/or distributors do not accept responsibility for third party charges, labor and or third part replacement modifications. Some modifications may void the factory warranty.
- Exercise due-diligence when installing this product. The manufacturer and distributors of this product do not accept any responsibility for vehicle damage or personal injury resulting from the installation of this product. Careless installation and operation can result in serious injury or equipment damage.
- This product is for general off-road use. All liability for installation and use rests with the owner/operator.
- **INSTALLER:** Once installation is complete, please return this guide along with other documentation included in this product back to the consumer for future reference. The manufacturer/distributors of this product do not guarantee this particular version will be available at a later date.

GO RHINO®

INSTALLATION INSTRUCTIONS

INJURY HAZARD

Please complete a shop and tool inspection prior to beginning the installation.

- Always make sure you have a clean, dry and well-lit work area.
- Always remove jewelry, loose fitting clothing and wear protective gloves and eye protection.
- Always use extreme caution when jacking or raising a vehicle for work. Set the emergency brake and use tire/wheel blocks and jack stands. Refer to the vehicle manufacturer hand book. Utilize the vehicle manufacturers designated lifting points.
- Always use appropriate and adequate care in lifting parts during disassembly and installation. Seek help in lifting heavy or large items into place. Utilize jacks and or lifting devices when available.
- Always insure products are secure during disassembly and installation.
- Always wear eye protection and take steps to protect any exposed skin during the installations. Drilling, cutting and grinding plastic and metal may create flying particles that can cause injury.
- Always use extreme caution when drilling, cutting and or grinding on a vehicle. Thoroughly inspect the area to be drilled, on both sides of material, prior to modification and relocate any objects that may become damaged.
- Always assemble and tighten all fasteners per the installation instructions.
- Always route electrical cables carefully. Avoid moving parts, parts that may become hot and rough or sharp edges.
- Always insulate and protect all exposed wiring and electrical connections.

MAINTENANCE AND CARE

- Always perform regular inspections and maintenance on mounts and related fasteners.
- Periodically check and tighten all fasteners.
- Stripped, fractured, or bent fasteners must be replaced.
- After washing the vehicle make sure to fully dry all surfaces.
- In areas with cold temperatures make sure to wash the product often to remove harmful materials used on road ways.
- Never use abrasive cleaners or polish compounds. Clean with a gentle soap and water. If you use wax use a non-abrasive automotive wax such as pure carnauba wax.

WARNING

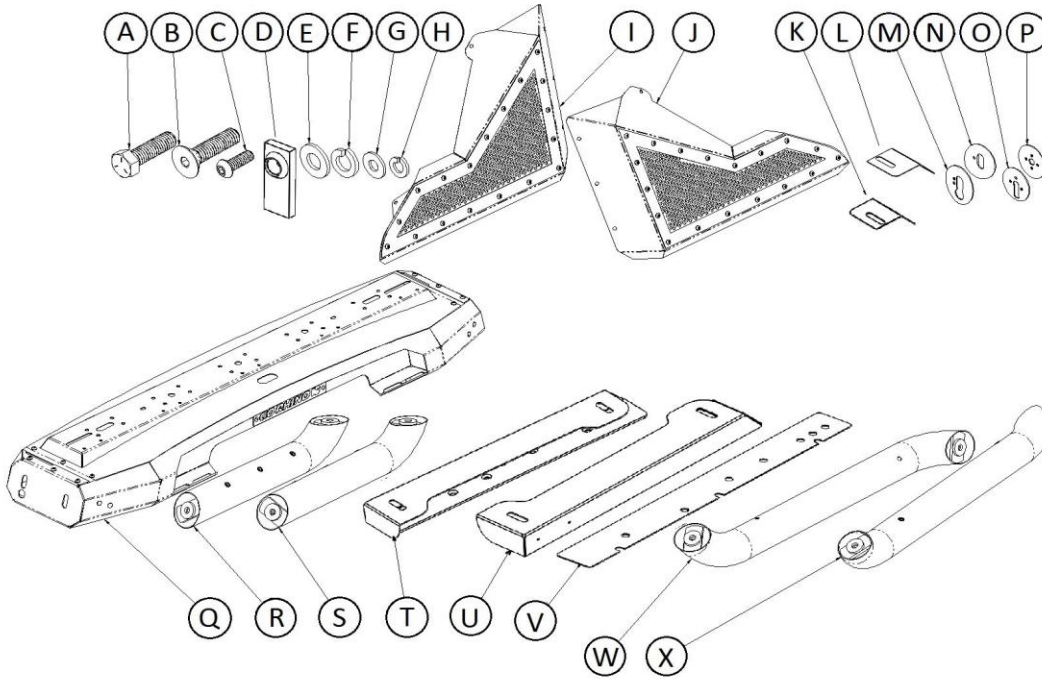
Some products have been designed to work together with factory rear sensor systems, factory forward facing sensor systems and factory air bags.

- Installation of some of these products may alter the factory sensor system performance.
- Factory sensors may read shackles or hooks protruding from the fairlead and or tow hooks.
- All sensor testing is completed by Go Rhino Products and or third party testing labs on modified vehicles.
- Sensor sensitivity, factory sensor housing, orientation, and operating conditions are all variables that will influence functionality of the sensors.
- Installation of some product may affect the factory air bag systems.
- Some products allow the use of third party products such as winches, shackles, hooks, etc. Follow the respective manufacturers operating instructions for use with our products.
- Make sure to fully understand the product, it's intended use and operation prior to use.
- Above all... be safe!

GO RHINO®

INSTALLATION INSTRUCTIONS

PARTS INCLUDED IN THIS LIST:



915105T SPORT BAR 2.0		
ITEM	QTY.	DESCRIPTION
A	8	3/8" X 1 1/4" HEX HEAD BOLT
B	6	3/8" X 1 1/4" FLAT HEAD BOLT
C	10	1/4" X 3/4" FLAT HEAD BOLT
D	6	3/8" BOLT PLATE
E	8	3/8" FLAT WASHER
F	14	3/8" LOCK WASHER
G	10	1/4" FLAT WASHER
H	10	1/4" LOCK WASHER
I	1	PASSENGER SIDE COVER
J	1	DRIVER SIDE COVER
K	1	PASSENGER COVER PLATE
L	1	DRIVER COVER PLATE
M	2	FRONT TOP TUBE SPACER
N	2	REAR TOP TUBE SPACER
O	2	FRONT BOTTOM TUBE SPACER
P	2	REAR BOTTOM TUBE SPACER
Q	1	BOX ASSEMBLY
R	1	PASSENGER FRONT TUBE
S	1	DRIVER FRONT TUBE
T	1	PASSENGER MOUNTING BASE
U	1	DRIVER MOUNTING BASE
V	2	MOUNTING BASE SPACER
W	1	PASSENGER REAR TUBE
X	1	DRIVER REAR TUBE

Go Rhino recommends you, the installer, read this installation instruction manual from front to back before installing the product. You may also [click here](http://www.gorhino.com/Installation-Videos) to view an installation video or visit <http://www.gorhino.com/Installation-Videos>.

TOOLS NEEDED FOR INSTALLATION:

- 5/32" Hex Driver
- 7/32" Hex Driver
- 9/16" and 3/4" Wrench
- Power drill
- 17/32" Drill bit

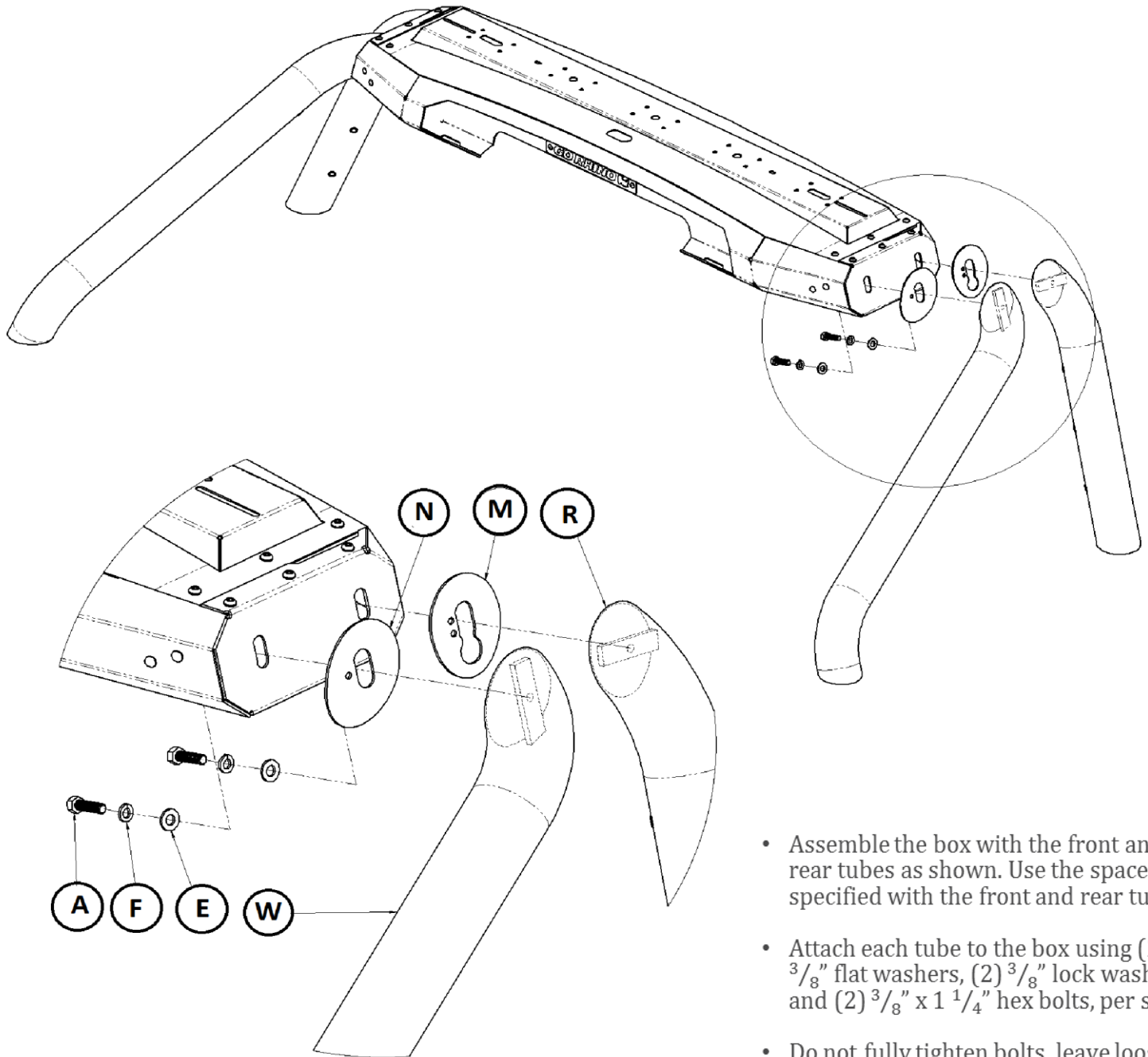
ESTIMATED TIME FOR INSTALLATION: **2 Hours**

If you need installation service for your new product, call the authorized distributor from whom you purchased the product or an authorized installation service company which can be found by calling toll free 1-888-427-4466

GO RHINO®

INSTALLATION INSTRUCTIONS

STEP # 1



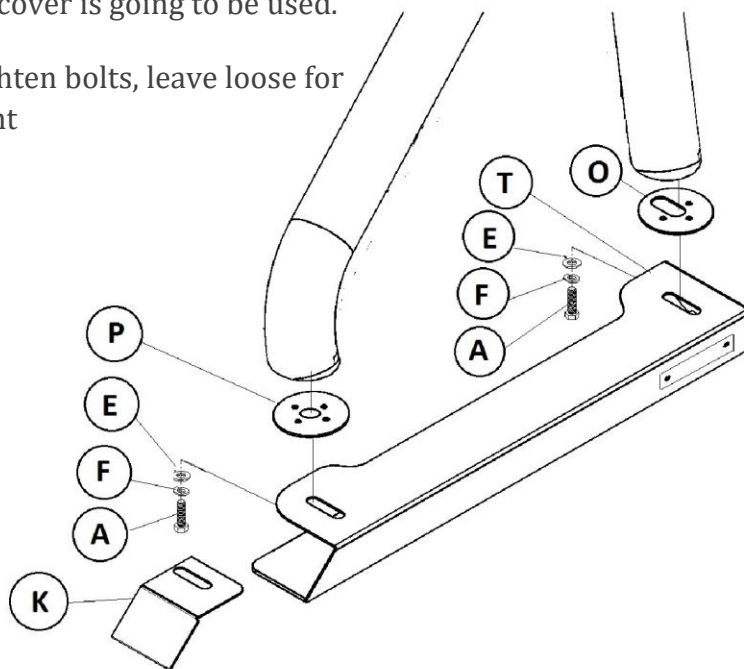
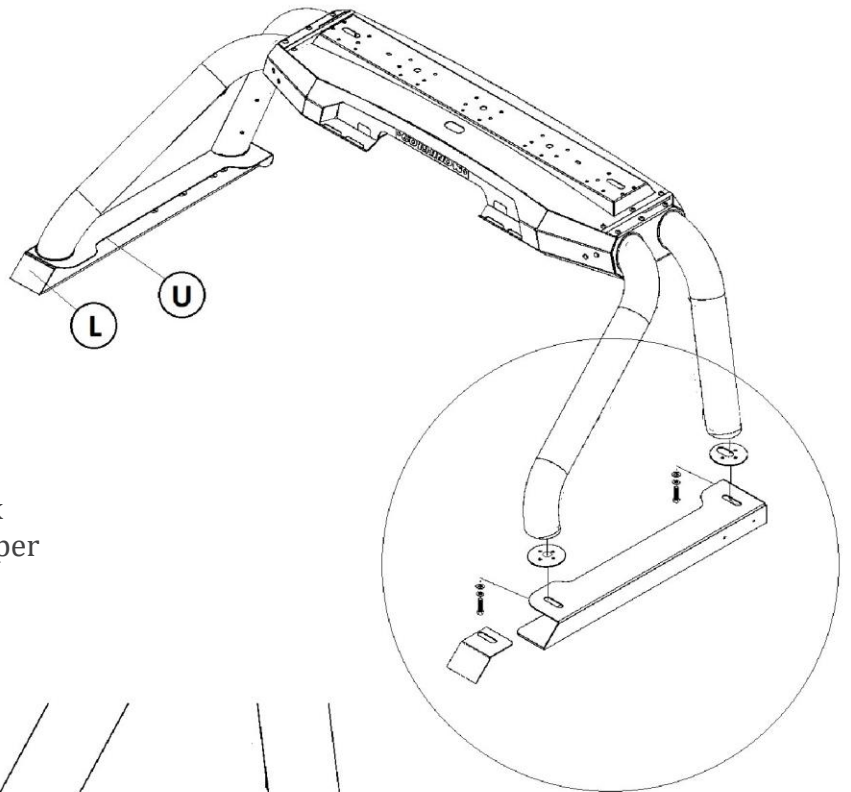
- Assemble the box with the front and rear tubes as shown. Use the spacer specified with the front and rear tube.
- Attach each tube to the box using (2) $\frac{3}{8}$ " flat washers, (2) $\frac{3}{8}$ " lock washers and (2) $\frac{3}{8}$ " x $1\frac{1}{4}$ " hex bolts, per side.
- Do not fully tighten bolts, leave loose for final adjustments.

GORRHINO®

INSTALLATION INSTRUCTIONS

STEP # 2

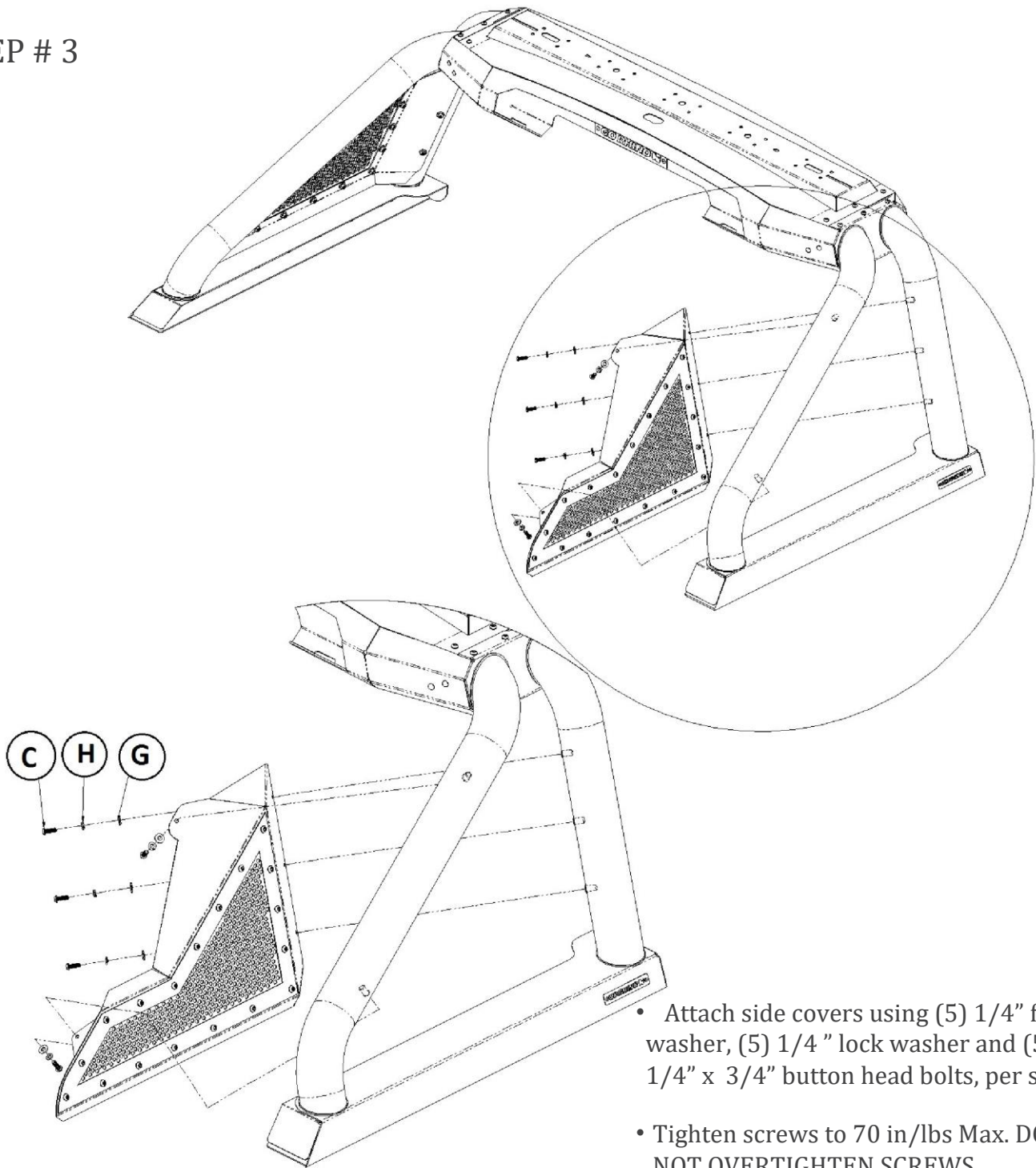
- Assemble the mounting base with the front and rear tubes as shown. Use the spacer specified with the front and rear tube.
- Attach each tube to the mounting base using (2) 3/8 " flat washers, (2) 3/8 " lock washers and (2) 3/8 " x 1 1/4" hex bolts, per side.
- Do not install items **K** and **L**, cover plates, if a bed cover is going to be used.
- Do not fully tighten bolts, leave loose for final adjustment



GO RHINO®

INSTALLATION INSTRUCTIONS

STEP # 3

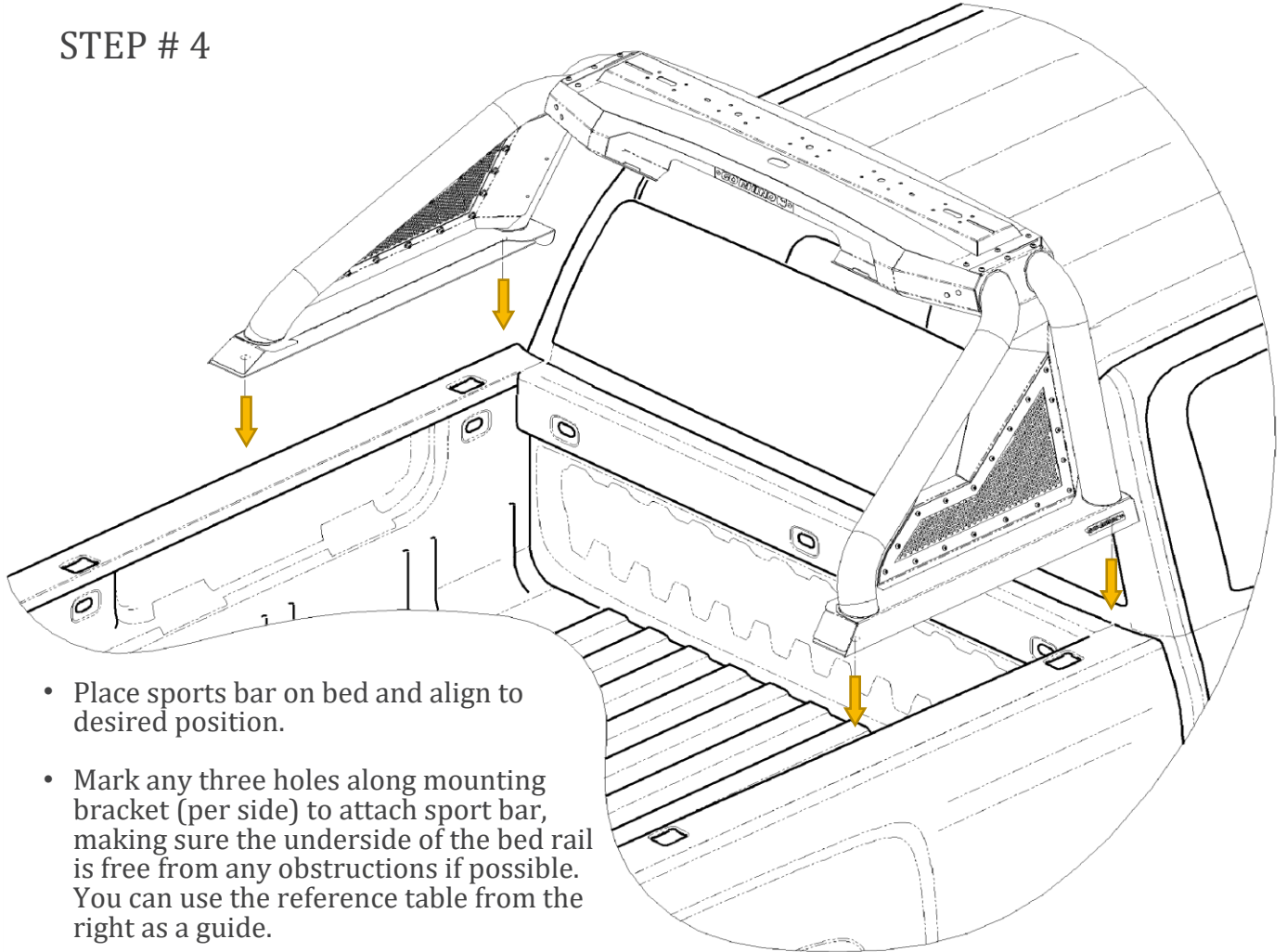


- Attach side covers using (5) 1/4" flat washer, (5) 1/4" lock washer and (5) 1/4" x 3/4" button head bolts, per side.
- Tighten screws to 70 in/lbs Max. DO NOT OVERTIGHTEN SCREWS

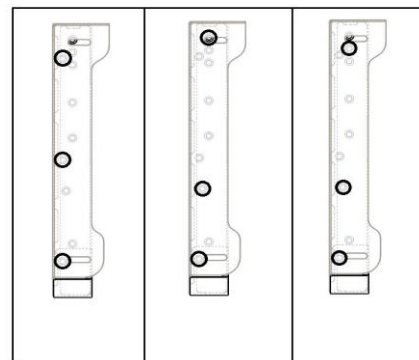
GO RHINO®

INSTALLATION INSTRUCTIONS

STEP # 4



- Place sports bar on bed and align to desired position.
- Mark any three holes along mounting bracket (per side) to attach sport bar, making sure the underside of the bed rail is free from any obstructions if possible. You can use the reference table from the right as a guide.
- Remove sport bar and drill 17/32" holes through bed rails.

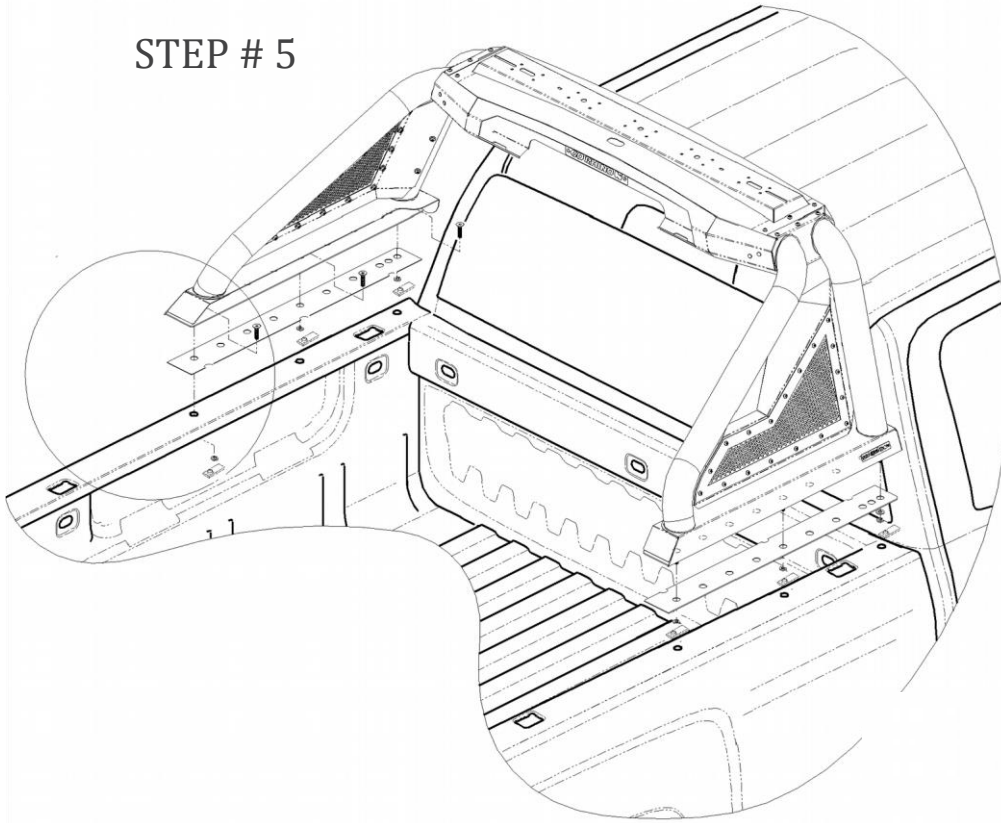


Hilux S10, NP 300 Ranger

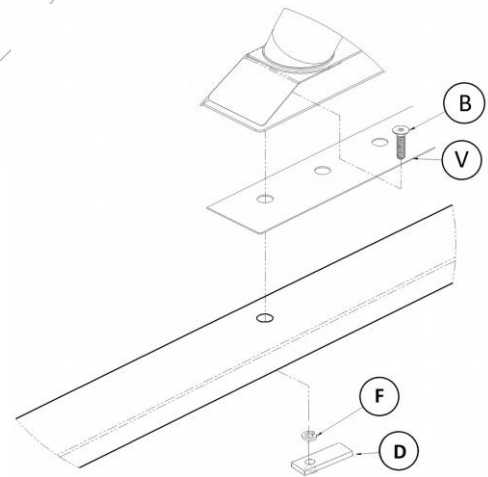
GO RHINO®

INSTALLATION INSTRUCTIONS

STEP # 5



- Apply automotive primer to any exposed metal.
- Place the sport bar over drilled mounting holes using the mounting base spacer as shown, both sides
- Attach the sport bar using (3) 3/8" bolt plates, (3) 3/8" lock washers and (3) 3/8" x 1 1/4" flat head bolts, per side



- Tighten all front and rear tube bolts to 26 ft/lbs Max. DO NOT OVERTIGHTEN BOLTS
- Check and retighten all nuts and bolts periodically.

GO RHINO®

INSTALLATION INSTRUCTIONS

LIMITED WARRANTY

Go Rhino warrants to Buyer that for a period of five (5) years from the date of shipment of the product(s) ("Warranty Period") for black finishes and chrome finishes, that such products will materially conform to the specifications set forth in Go Rhino's specifications in effect as of the date of shipment(s) and will be free from material defects in material workmanship.

Go Rhino warrants to Buyer that for the life of the product(s) from the date of shipment of the product(s) ("Warranty Period") for polished stainless steel finished products purchased after April 2004, that such products will materially conform to the specifications set forth in Go Rhino's specifications in effect as of the date of shipments and will be free from material defects in material workmanship.

Warranty claims must be accompanied with the original invoice and photos of the product. It is the customer's responsibility to clean regularly and protect finish with regular applications of a nonabrasive polish that is compatible with the product's finish.

This warranty covers the cost of the product only and does not include the cost of removal, installation, third party modifications or shipping of the product. In no event shall Go Rhino be liable to buyer or any third party for any damage or harm caused by the product or use thereof, regardless of weather such damages were foreseeable and whether or not Go Rhino has been advised of the possibility of such damages, notwithstanding the failure of any agreed or other remedy of its essential purpose. This warranty is void if the product shows signs of alteration, misuse, mishandling, improper care, neglect, improper application and/or damage due to improper installation.

With respect to any such product(s) during the limited warranty period, Go Rhino shall, in its sole discretion, either: (i) provide a one-time repair or replacement of such products (or the defective part) or (ii) credit or refund the price of such products at the pro rata contract rate provided that, if Go Rhino so requests, Buyer shall, at Go Rhino's expense, return such product(s) to Go Rhino. The remedies shall be the Buyer's sole and exclusive remedy and Go Rhino's entire liability for any breach of the limited warrant(ies).

Go Rhino disclaims all other warranties except to the extent that any such warranty cannot be validly disclaimed under applicable law.

Finish Limited Warranty:

Limited lifetime on stainless steel products (after April 2004)
5 year warranty on black powder coat products
5 year warranty on chrome products
This warranty does not cover exposed welds

Finish warranty covers peeling, flaking, or cracking. Washing all finishes regularly with car wash soap and rinsing well with water is the best method for maintaining the finish on your products. You must also protect the finish with nonabrasive automotive wax on a regular basis. The use of any compound which contains abrasives becomes a self-defeating exercise as the compound scratches the finish and opens it to corrosion. The use of harsh chemicals used to remove bugs and tar may also cause the finish to fail and should be avoided.

If you are unsatisfied with your purchase please contact the establishment you purchased the product from.

If you need to place a warranty claim or need assistance, the Go Rhino customer service team will answer any questions you may have. Please contact the Go Rhino customer service team at 1-888-427-4466 during normal business hours Monday thru Friday 7 am to 5 pm PST. You may also email warranty@gorhino.com. In order to better serve you please provide a copy of the original invoice / receipt, a photo of the issue you are experiencing and a photo of the vehicle the product is installed on.

All warranty returns must have an approved RGA number. The RGA number must be clearly marked on the exterior of the return package. All approved warranty returns must be shipped to Go Rhino Products, 1002 Carriers Drive, Laredo, Texas 78045.

PRODUCT REGISTRATION Please remember to register your new purchase. You may register your product at www.gorhino.com. Registering your product may help speed any future warranty or customer service inquiries.

Thank you again for purchasing from Go Rhino Products. Please take a few minutes to view additional products for your vehicle and more at GORHINO.com. These installation instructions are available on the Go Rhino web site along with installation videos for many of our products.

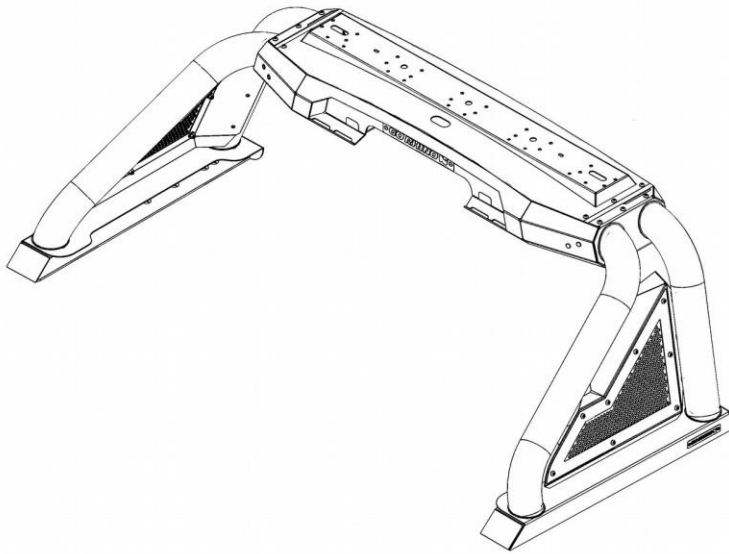
www.gorhino.com

www.bigcountryauto.com

www.gorhinopd.com

GORRHINO®

INSTRUCTIVO DE INSTALACION



NUMERO DE PARTE.

- 915105T
- 915105PS

DESCRIPCION DEL PRODUCTO:

- Sport Bar 2.0, Mid size Negro Texturizado. (Vehículos Internacionales)
- Sport Bar 2.0, Mid size Tubos Pulidos de acero Inoxidable (Vehículos Internacionales)

- **ES IMPORTANTE LEER TODAS LAS INSTRUCCIONES DE INSTALACION, EL NO HACERLO PUEDE CAUSAR LESIONES PERSONALES O DAÑO AL PRODUCTO Y/O A SU PROPIEDAD.**
- Revise el paquete y su contenido antes de comenzar la instalación. Tenga cuidado al abrir el paquete y retirar el contenido. Si necesita una devolución, deberá devolver el producto en su paquete original si es posible.
- Esta guía de instrucciones se proporciona como guía de instalación GENERAL, algunos vehículos varían dimensionalmente y puede requerir pasos adicionales.
- Pruebe el ajuste del producto en el vehículo antes de cualquier modificación y / o acabado por terceros. El Fabricante y / o distribuidores no aceptan responsabilidad por los cargos, mano de obra y / o modificaciones de reemplazo hechos por terceros. Algunas modificaciones pueden anular la garantía de fábrica.
- Ejerza la debida diligencia al instalar este producto. Los fabricantes y distribuidores de este producto No aceptamos ninguna responsabilidad por daños al vehículo o lesiones personales resultantes de la instalación de este producto. La instalación y el funcionamiento descuidados pueden causar lesiones graves o daños al equipo.
- Este producto es para uso general fuera de carretera. Toda responsabilidad por la instalación y el uso es de operador/propietario.
- **INSTALADOR:** Una vez finalizada la instalación, devuelva esta guía junto con otra documentación Incluido en este producto al consumidor para referencia futura. El fabricante / distribuidores de este producto no garantiza que esta versión en particular estará disponible en una fecha posterior.

www.gorhino.com

589 W. Apollo St. Brea, CA. 92821

TEL: 888 427 4466



INSTRUCTIVO DE INSTALACION

PELIGRO DE LESIONES

Por favor complete una inspección del lugar y de la herramienta antes de comenzar la instalación.

- Asegúrese siempre de tener un área de trabajo limpia, seca y bien iluminada.
- Siempre quítese las joyas, ropa suelta y use guantes protectores y protección para los ojos.
- Siempre tenga extrema precaución cuando levante o suba un vehículo para trabajar. Establecer el freno de mano y utilice bloques para ruedas y soportes del gato. Consulte el libro del fabricante del vehículo. Utilice los puntos de elevación designados por los fabricantes de vehículo.
- Siempre tenga el cuidado adecuado al levantar piezas durante el desmontaje e instalación. Busque ayuda para levantar objetos pesados o grandes de su lugar. Utilizar gatos u otros dispositivos para elevar .
- Asegúrese siempre de que los productos estén seguros durante el desmontaje y la instalación.
- Siempre use protección para los ojos y tome medidas adecuadas para proteger piel expuesta durante la Instalación. Perforar, cortar, moler plástico o metal puede crear partículas volantes que puede causar lesiones.
- Siempre tenga extrema precaución al perforar, cortar en el vehículo. Antes de cualquier modificación inspeccione a fondo el área a perforar en ambos lados del material y reubique cualquier objeto que pueda resultar dañado.
- Siempre ensamble y apriete todos los sujetadores según las instrucciones de instalación.
- Siempre enrute los cables eléctricos con cuidado. Evite mover partes, que puedan calentarse y bordes ásperos o filosos.
- Aislar y proteger siempre todo el cableado y las conexiones eléctricas expuestas.

MANTENIMIENTO Y CUIDADO

- Realice siempre inspecciones y mantenimiento regulares en soportes y sujetadores relacionados.
- Compruebe y apriete periódicamente todos los sujetadores.
- Se deben reemplazar todos los sujetadores fracturados o doblados.
- Después de lavar el vehículo asegúrese de secar completamente todas las superficies.
- En zonas con temperaturas frías, asegúrese de lavar el producto con frecuencia para eliminar materiales dañinos utilizados en carreteras.
- Nunca utilice limpiadores abrasivos o compuestos de pulido. Limpie suave con agua y jabón. Si tu usted usa cera, utilice una cera automotriz no abrasiva tal como cera de carnauba.

ADVERTENCIA

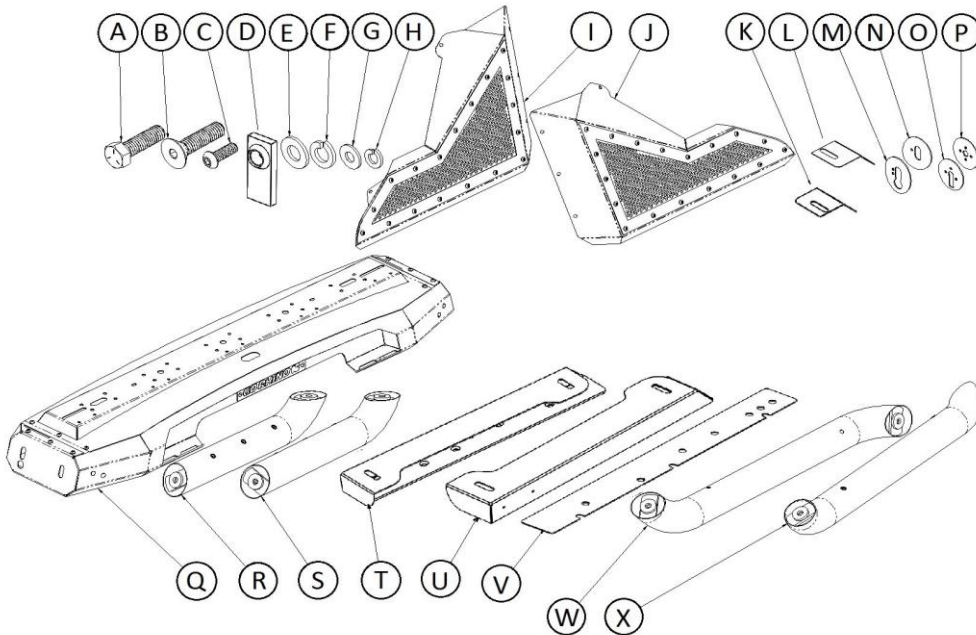
Algunos productos han sido diseñados para trabajar conjuntamente con los sistemas de sensores traseros de fábrica, los sensores frontales de fábrica y bolsas de aire de fábrica.

- La instalación de algunos de estos productos puede alterar el rendimiento del sistema de sensores de fábrica.
- Los sensores de fábrica pueden leer grilletes o ganchos que sobresalgan de la guía y / o ganchos de remolque.
- Todas las pruebas de sensores son completadas por Go Rhino Products y / o laboratorios de pruebas de terceros en vehículos modificados.
- La sensibilidad del sensor, la carcasa del sensor de fábrica, la orientación y las condiciones de funcionamiento son todas variables que influirán en la funcionalidad de los sensores.
- La instalación de algún producto puede afectar los sistemas de bolsa de aire de fábrica.
- Algunos productos permiten el uso de productos de terceros como winches, grilletes, ganchos, etc. Siga las instrucciones de uso de sus fabricantes con nuestros productos.
- Asegúrese de entender completamente el producto, su intención de uso y operación antes de su uso.

GO RHINO®

INSTRUCTIVO DE INSTALACION

PARTES INCLUIDAS EN ESTA LISTA:



915105T SPORT BAR 2.0		
ITEM	CANT.	DESCRIPCION
A	8	TORNILLO CAB. HEX. 3/8 X 1 1/4"
B	6	TORNILLO CAB. PLANA 3/8 X 1 1/4"
C	10	TORNILLO CAB. PLANA 1/4" X 3/4"
D	6	TORNILLO CON SOLERA 3/8"
E	8	RONDANA PLANA 3/8"
F	14	RONDANA DE SEGURIDAD 3/8"
G	10	RONDANA PLANA 1/4"
H	10	RONDANA DE SEGURIDAD 1/4"
I	1	CUBIERTA LATERAL (PASAJERO)
J	1	CUBIERTA LATERAL (CONDUCTOR)
K	1	CUBIERTA (PASAJERO)
L	1	CUBIERTA (CONDUCTOR)
M	2	ESPACIADOR TUBO SUPERIOR FRONTAL
N	2	ESPACIADOR TUBO SUPERIOR TRASERO
O	2	ESPACIADOR TUBO INFERIOR FRONTAL
P	2	ESPACIADOR TUBO INFERIOR TRASERO
Q	1	ENSAMBLE DE CAJA
R	1	TUBO FRONTAL (PASAJERO)
S	1	TUBO FRONTAL (CONDUCTOR)
T	1	BASE DE MONTAJE (PASAJERO)
U	1	BASE DE MONTAJE (CONDUCTOR)
V	2	ESPACIADOR DE BASE
W	1	TUBO TRASERO (PASAJERO)
X	1	TUBO TRASERO (CONDUCTOR)

Go Rhino te recomienda y al instalador, leer este manual de instrucciones de instalación completamente antes de la Instalación del producto. También puede hacer clic aquí para ver un vídeo de instalación o visita: <http://www.gorhino.com/Installation-Videos>.

HERRAMIENTAS NECESARIAS:

- 5/32 Dado hexagonal • Taladro
- 7/32" Dado hexagonal • Broca 17/32"
- Matraca 9/16" y 3/4"

TIEMPO ESTIMADO DE INSTALACION:

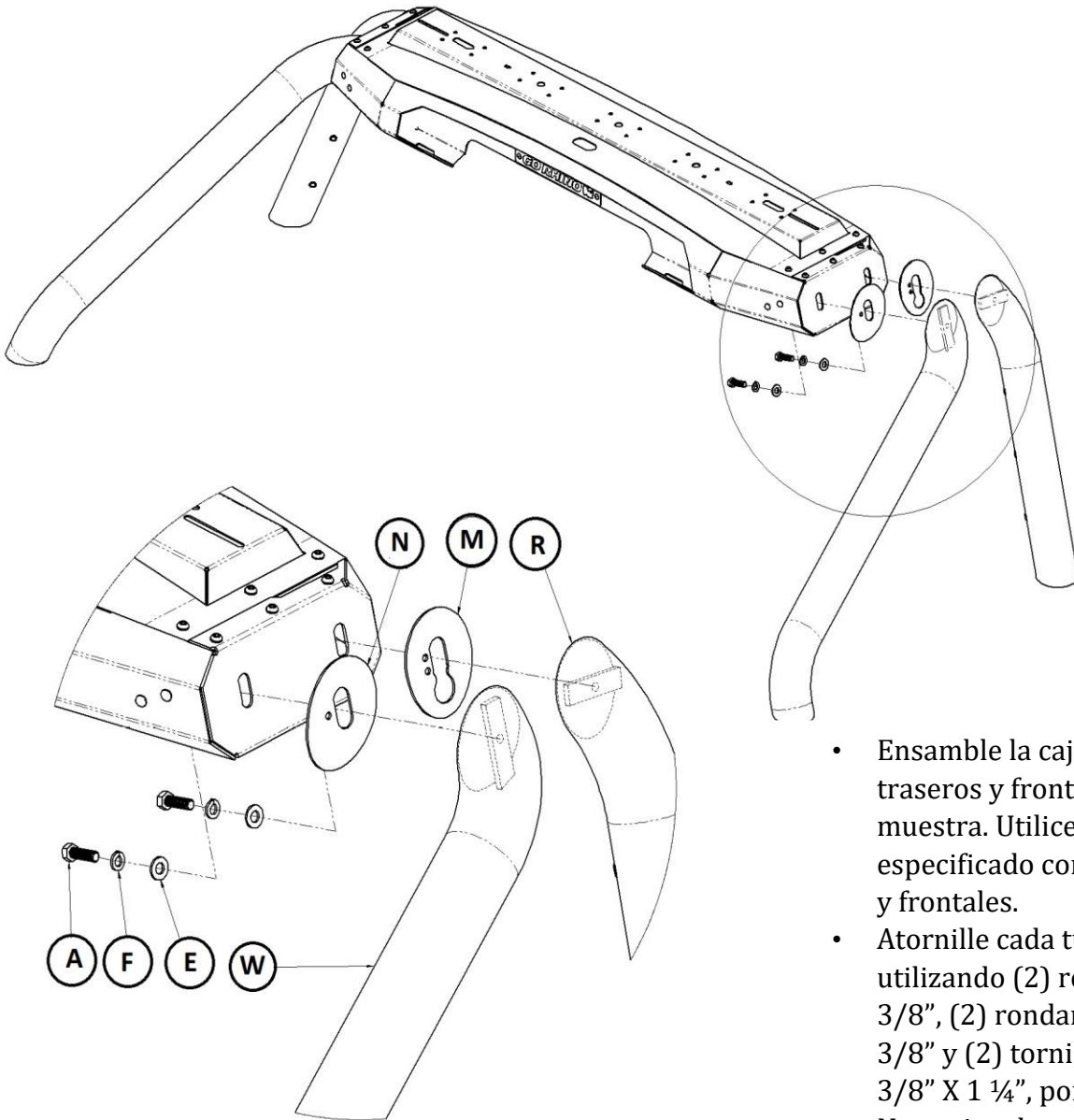
2 Horas

Si necesita servicio de instalación para su nuevo producto, llame al distribuidor autorizado del lugar donde compro el producto o a una compañía de servicio de instalación autorizada que puede encontrar llamando gratis al 1-888-427-4466.

GO RHINO®

INSTRUCTIVO DE INSTALACION

PASO #1



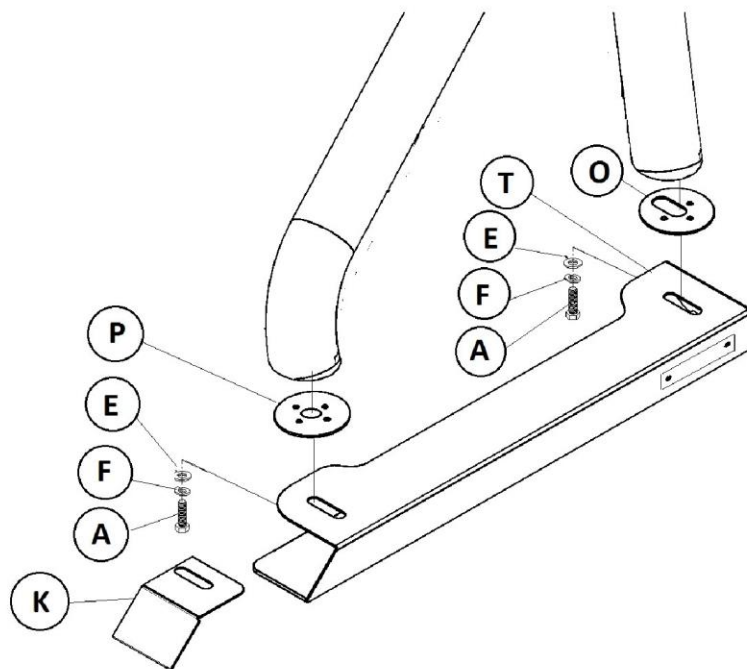
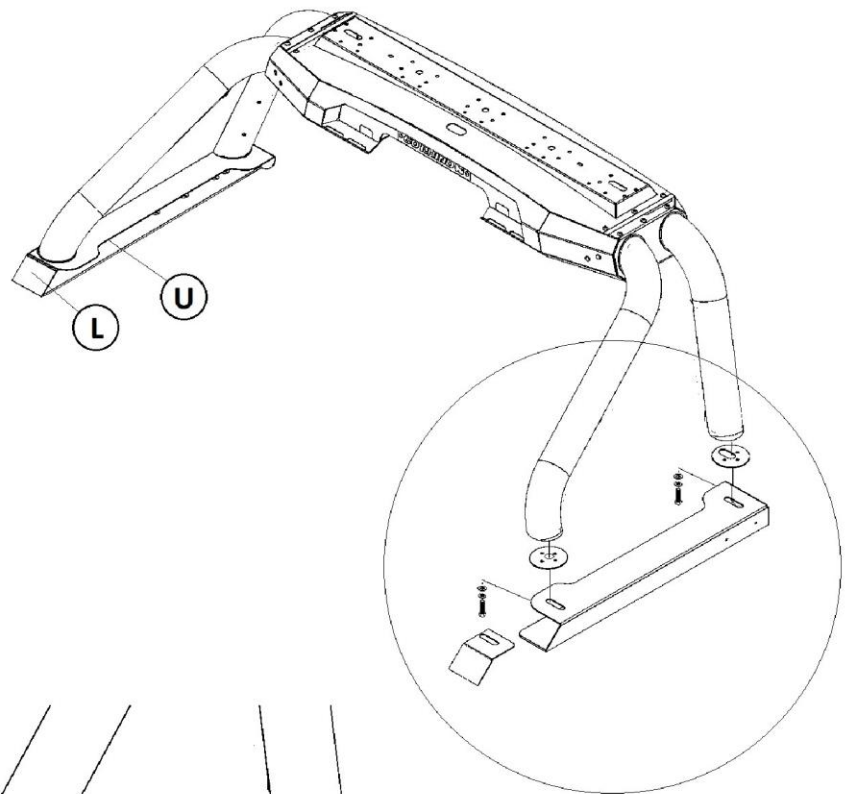
- Ensamble la caja con los tubos traseros y frontales como se muestra. Utilice el espaciador especificado con los tubos traseros y frontales.
- Atornille cada tubo a la caja utilizando (2) rondanas planas de 3/8", (2) rondanas de seguridad de 3/8" y (2) tornillos hexagonales de 3/8" X 1 1/4", por lado.
- No apriete los tornillos completamente, dejelos sueltos para ajustes finales.

GO RHINO®

INSTRUCTIVO DE INSTALACION

PASO #2

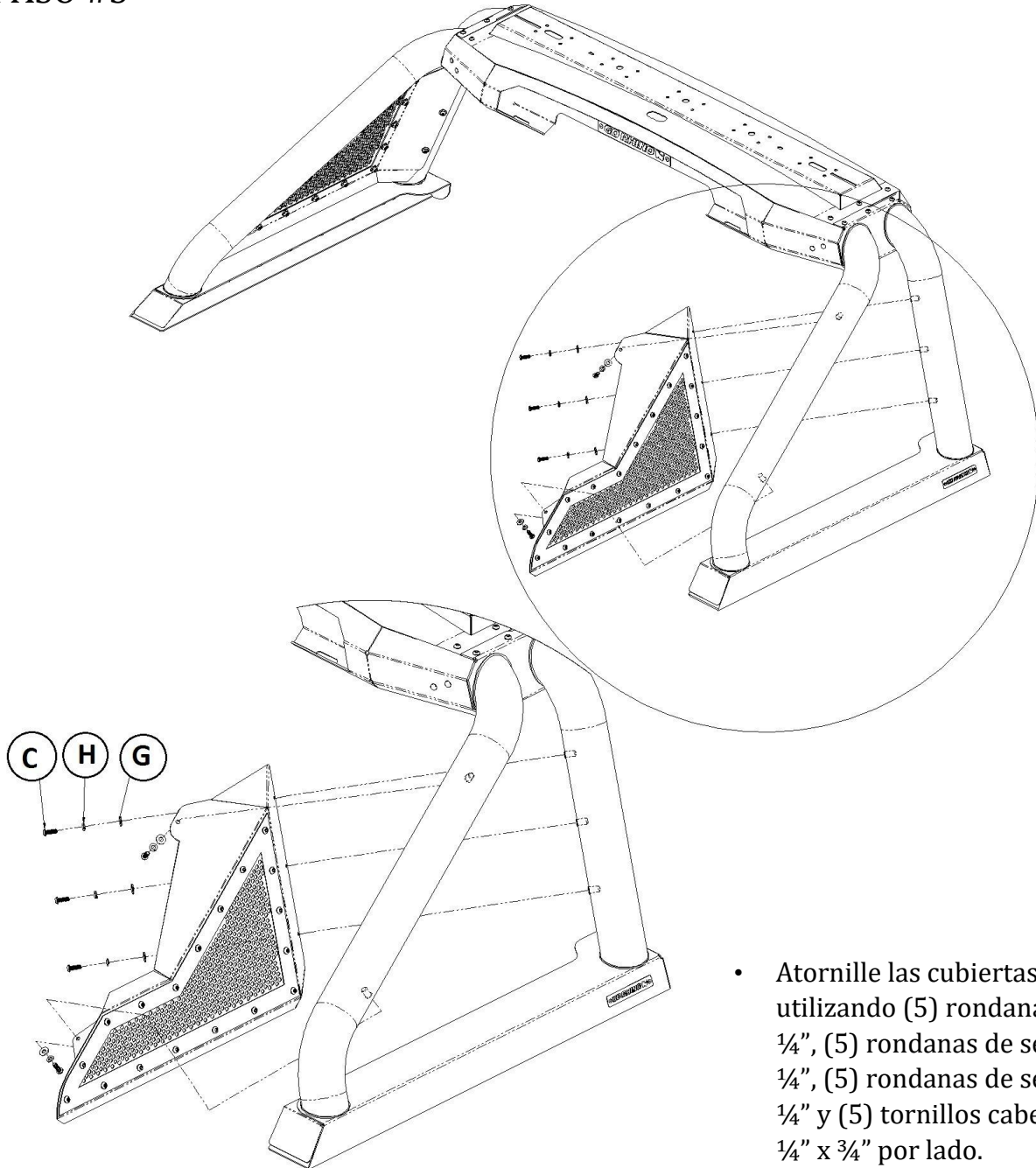
- Ensamble la base con los tubos traseros y frontales como se muestra. Utilice los espaciadores específicos en los tubos traseros y frontales.
- Atornille cada tubo a la base utilizando (2) rondanas planas de 3/8", (2) rondanas de seguridad de 3/8" y (2) tornillos hexagonales de 3/8" x 1 ¼ " por lado.
- No instale los componentes **K** y **L** si se va a utilizar una cubierta de caja.
- No apriete los tornillos completamente, déjelos sueltos para ajustes finales.



GO RHINO®

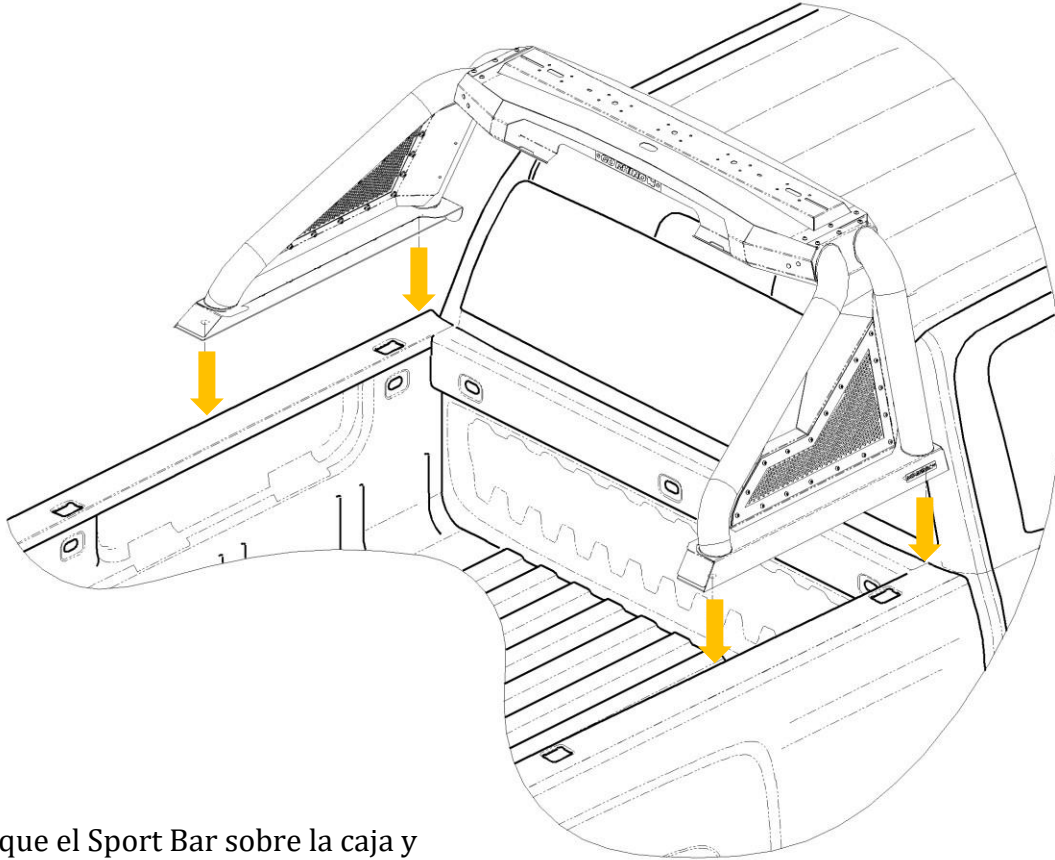
INSTRUCTIVO DE INSTALACION

PASO #3

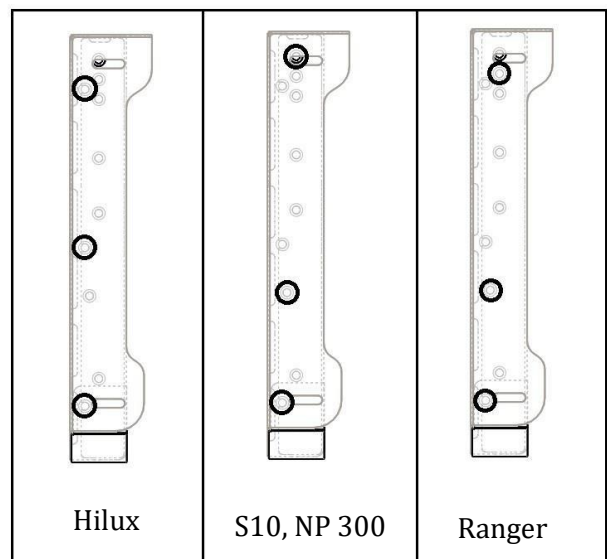


- Atornille las cubiertas laterales utilizando (5) rondanas planas de $\frac{1}{4}$ ", (5) rondanas de seguridad de $\frac{1}{4}$ ", (5) rondanas de seguridad de $\frac{1}{4}$ " y (5) tornillos cabeza boton de $\frac{1}{4}$ " x $\frac{3}{4}$ " por lado.
- Apriete los tornillos a 70 in/lb Max. NO APRIETE ENEXCESO LOS TORNILLOS.

PASO # 4



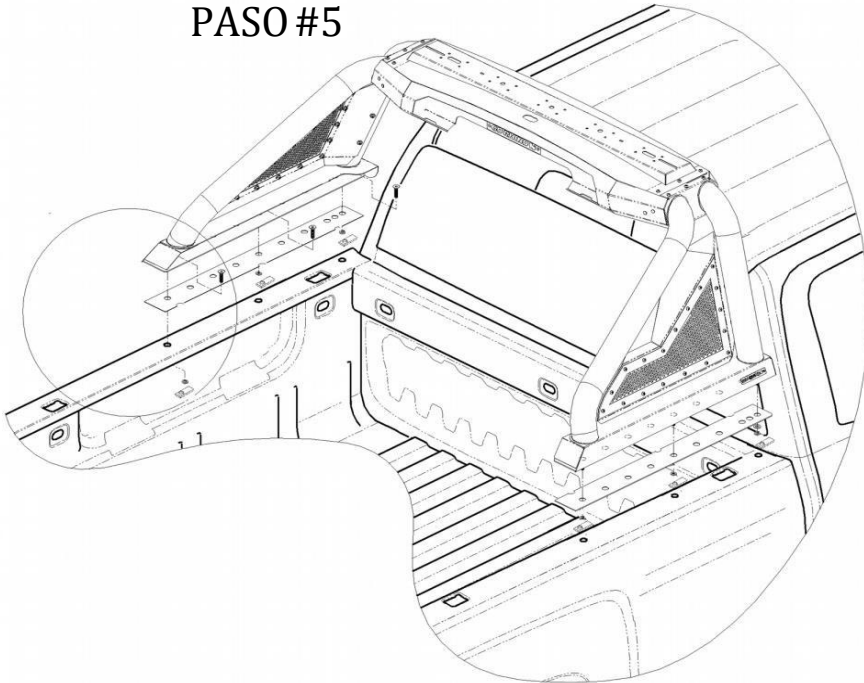
- Coloque el Sport Bar sobre la caja y alinéala en la posición deseada.
- Utilizando la base del Sport Bar como guía (imagen a la derecha), marque tres barrenos sobre el borde de la caja (por lado) para atornillar el Sport Bar, si es posible asegúrese de que no haya ninguna obstrucción por debajo del borde de la caja.
- Remueva el Sport Bar y barrene a travez de la caja a 17/32".



GO RHINO®

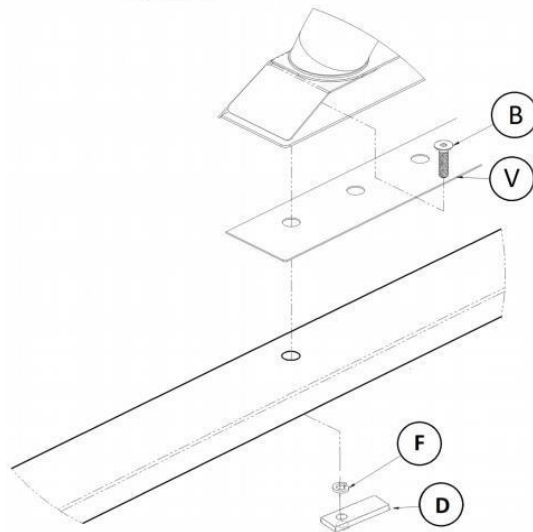
INSTRUCTIVO DE INSTALACION

PASO #5



- Aplique primer automotriz a cualquier metal expuesto.
Coloque y alinee el Sport Bar sobre el área barrenada utilizando los espaciadores como se muestra, ambos lados.

- Atornille el Sport Bar utilizando (3) tornillos con solera de 3/8", (3) rondanas de seguridad de 3/8" y (3) tornillos cabeza plana de 3/8" x 1 1/4", por lado.



- Apriete todos los tornillos de los tubos traseros y frontales a 26 ft/lbs Max. NO APRIETE CON EXCESO LOS TORNILLOS.
- Periódicamente asegúrese de apretar tuercas y tornillos.



INSTRUCTIVO DE INSTALACION

GARANTIA LIMITADA

Go Rhino garantiza al Comprador que durante un período de cinco (5) años a partir de la fecha de envío del (los) producto (s) ("Período de Garantía") para Acabados negros y acabados cromados, que dichos productos se ajusten materialmente a las especificaciones establecidas y vigentes por Go Rhino a partir de la fecha de envío (s) y estarán libres de defectos por materiales de mano de obra.

Go Rhino garantiza al Comprador que durante la vida útil del (los) producto (s) a partir de la fecha de envío del (los) producto (s) ("Período de Garantía") para productos acabados de acero inoxidable pulido comprados después de abril de 2004, que dichos productos y especificaciones establecidas establecidas y vigentes por Go Rhino a partir de la fecha de envío (s) y estarán libres de defectos por materiales de mano de obra.

Las reclamaciones de garantía deben ir acompañadas de la factura original y las fotos del producto. Es responsabilidad del cliente que limpie regularmente y proteja el acabado con aplicaciones regulares de un esmalte no abrasivo que sea compatible con el acabado del producto.

Esta garantía cubre el costo del producto solamente y no incluye el costo de remoción, instalación, modificaciones de terceros o Envío del producto. En ningún caso Go Rhino será responsable ante el comprador o cualquier tercero por cualquier daño o daño causado por el producto o uso de los mismos, Independientemente del clima, tales daños fueron previsible y si Go Rhino ha sido informado de la posibilidad de tales daños, no obstante el fracaso de cualquier acuerdo u otro recurso de su propósito esencial. Esta garantía es invalida si el producto muestra signos de alteración, mal uso, mal manejo, mal cuidado, negligencia, aplicación inadecuada y / o daño debido a una instalación incorrecta.

Con respecto a cualquiera de dichos productos durante el período de garantía limitada, Go Rhino, a su sola discreción, deberá: (1) Proveer con la reparación o reemplazo de dichos productos (o la parte defectuosa), o (2) el crédito o el reembolso del costo de dichos productos a la condición de que si Go Rhino lo solicita al comprador, a expensas de Go Rhino, devolverá dichos productos a Go Rhino. Los recursos serán el único y exclusivo remedio del Comprador y la responsabilidad total de Go Rhino por cualquier incumplimiento de la (s) garantía (s) limitada (s). Go Rhino rechaza todas las demás garantías excepto en la medida en que tal garantía no pueda ser válidamente rechazada bajo la ley.

Garantía Limitada de Acabado:

Garantía limitada de por vida de productos de acero inoxidable (después de abril de 2004)

Garantía de 5 años en productos con pintura

5 años de garantía en productos de cromo

Esta garantía no cubre las soldaduras expuestas

La garantía de acabado cubre el descapelado, descamación o grietas. Lavar todos los acabados regularmente con jabón de lavado de autos y enjuagar bien con agua es el mejor método para mantener el acabado de sus productos. También debe proteger el acabado con cera automotriz no abrasiva regularmente. El uso de cualquier compuesto que contenga abrasivos se convierte en un agente autodestructivo, ya que el compuesto rasca el acabado y lo abre a la corrosión. El uso de productos químicos ásperos usados para quitar bichos y alquitrán también puede hacer que el acabado se deteriore y debe ser evitado.

Si no está satisfecho con su compra, póngase en contacto con el establecimiento donde adquirió el producto.

Si necesita presentar una reclamación de garantía o necesita asistencia, el equipo de servicio al cliente de Go Rhino responderá cualquier pregunta que pueda tener. Por favor contacte al equipo de Servicio al Cliente de Go Rhino al 1-888-427-4466 durante hora de trabajo de Lunes a Viernes de 7 am a 5 pm (tiempo del pacífico), también puedes contactarnos por email warranty@gorhino.com.

Con el fin de servirle mejor por favor proporcione una copia de Factura / recibo original, una foto del problema que está experimentando y una foto del vehículo en el que está instalado el producto.

Todas las devoluciones de la garantía deben tener un número RGA aprobado. El número RGA debe estar claramente marcado en el exterior del paquete a devolver. Todas las devoluciones de garantía aprobadas deben enviarse a Go Rhino Products, 1002 Carriers Drive, Laredo, Texas 78045.

REGISTRO DEL PRODUCTO

Recuerde registrar su nueva compra. Puede registrar su producto en www.gorhino.com. Registrar su producto puede Ayudar a acelerar cualquier garantía futura o consultas de servicio al cliente

Gracias de nuevo por comprar productos Go Rhino

Por favor, tómesese unos minutos para ver productos adicionales para su vehículo y más en GORHINO.com Estas instrucciones de instalación están disponibles en el sitio web de Go Rhino junto con videos de instalación para Muchos de nuestros productos.

www.gorhino.com

www.bigcountry.com

www.gorhinopd.com