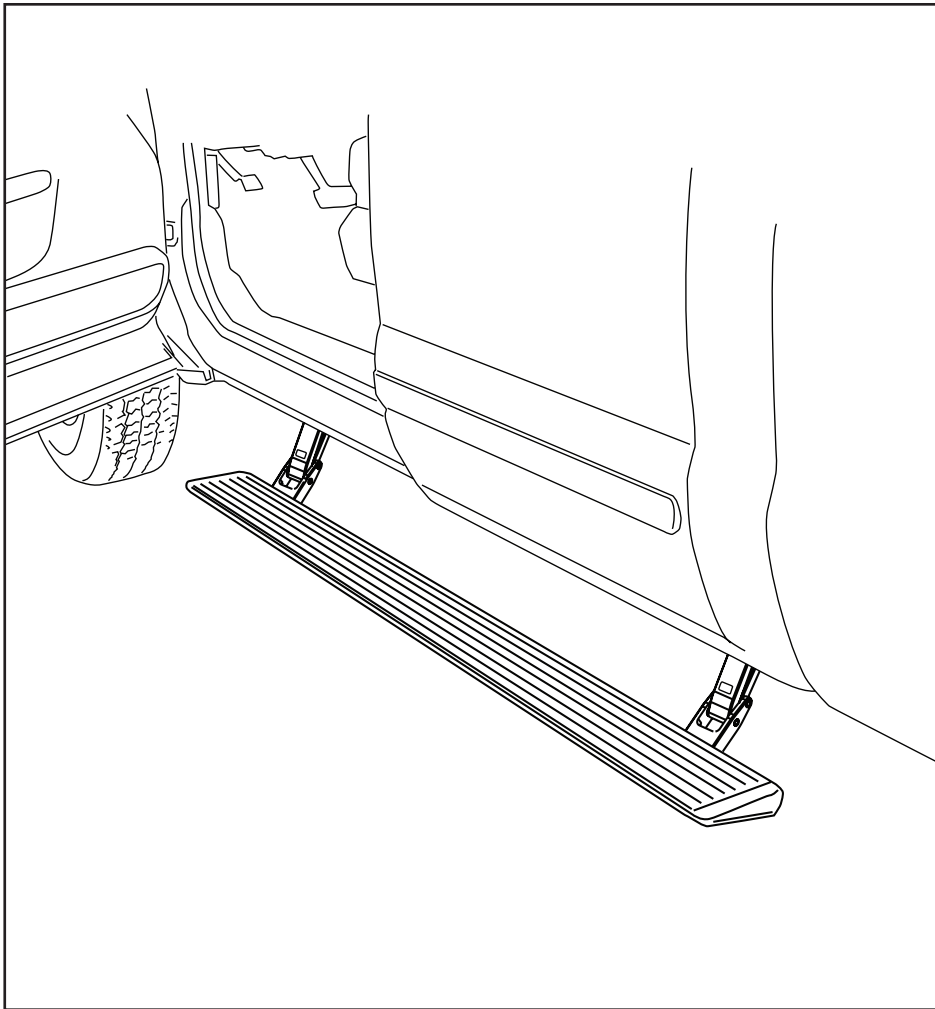


INSTALLATION GUIDE

# AMP RESEARCH Power Step

MADE IN USA

APPLICATION	LENGTH	MODEL YR	PART #
Ford F150 SuperCab	72"	2009 - 2014	76141-01A
Ford F150 SuperCrew	79"	2009 - 2014	76141-01A
Ford F150 Regular Cab	55"	2009 - 2014	76141-01A



**INSTALLATION TIME**  
**2-3 Hours**  
 Professional installation recommended

**SKILL LEVEL**

① ② ③ ④

4= Experienced

- TOOLS REQUIRED**
- Safety goggles
  - 8 mm socket
  - 10 mm socket
  - 13 mm socket
  - 13 mm end wrench
  - Ratchet wrench and extension
  - Wire stripper
  - 3/16" hex key wrench (allen wrench)
  - 4mm hex key wrench (allen wrench)
  - Electrical tape
  - Weather proof caulking (silicone sealer)

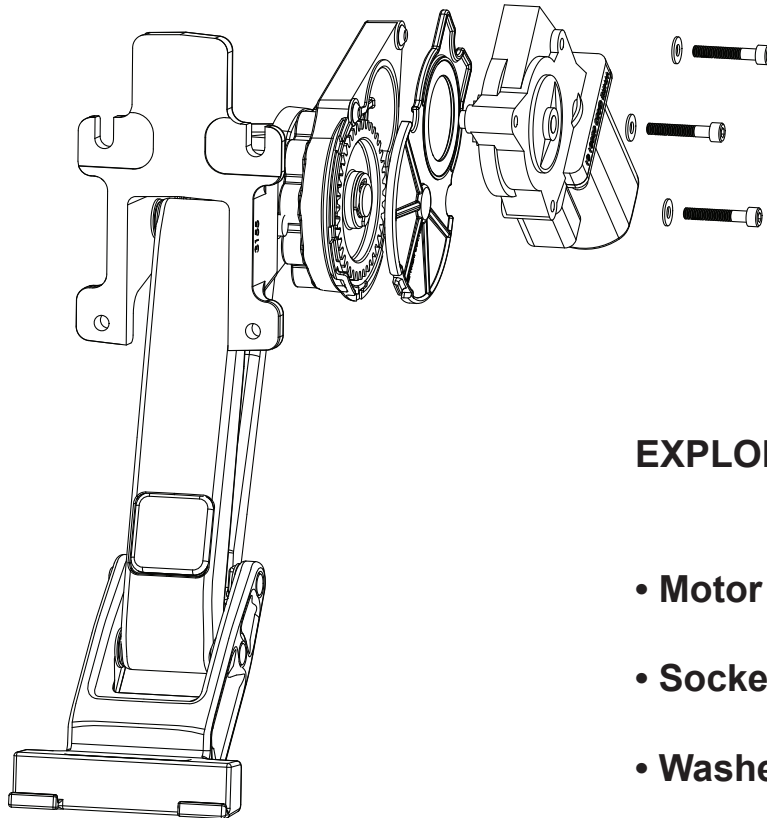
**WARRANTY**  
**5-Year Limited Warranty**

AMP RESEARCH TECH SUPPORT 1-888-983-2204 (Press 2) Monday - Friday, 7:00 AM - 5:00 PM PST

Invented, engineered and manufactured exclusively by AMP Research in the USA. May be covered by one OR MORE of the following patents: 6,641,158; 6,830,257; 6,834,875; 6,938,909; 7,055,839; 7,380,807; 7,413,204; 7,398,985; 7,584,975; 7,566,064; 7,487,986; 8,157,277; 8,408,571; 9,302,626; 9,561,751; 10,053,017; CA2463717 ©2012 AMP Research. All rights reserved. Printed in USA.

**INSTALLATION GUIDE****Attaching motor to linkage assembly**

The motors must be attached to the linkage assemblies before continuing the installation process.

**EXPLODED VIEW**

- **Motor**
- **Socket cap screw**
- **Washer**

**CAUTION: HANDLE WITH CARE.**

To insure our customers receive all components with full integrity, we pack the motors separate from their linkage assemblies. This requires that the installer position and fasten the motor before continuing with the install. Please follow the instructions below and handle the assembly carefully.

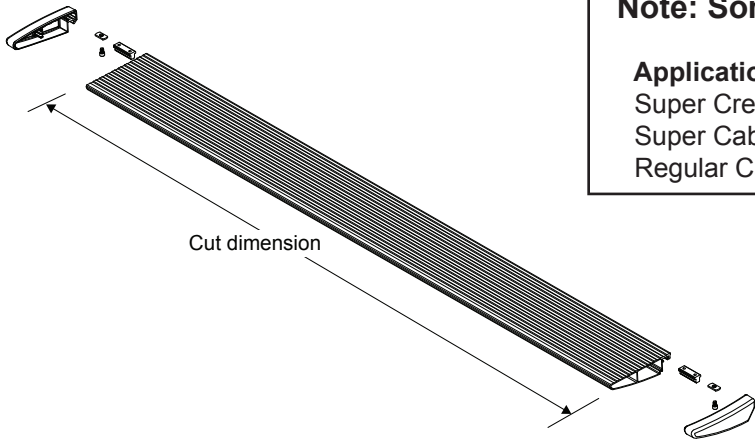
**CAUTION:** Dropping the assembly or any excessive impact MAY cause damage to the motor.

**Instructions:**

1. Position the gear cover in place as shown if not already in place.
2. Seat motor into position on the three mounting bosses. This may require an adjustment of the gear by moving the swing arms.
3. After seating into place, fasten the motor with the three motor mount screws with T30 Torx. Tighten screws to 36 in-lbs (4N-m). Do not over torque.

**Note: Some Applications require modification.**

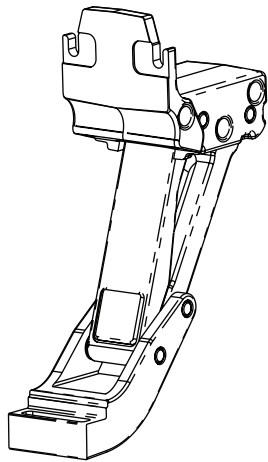
Application	Cut Length
Super Crew	79" (No Modification Required)
Super Cab	72" (Trim 7")
Regular Cab	55" (Trim 24")



1 x2

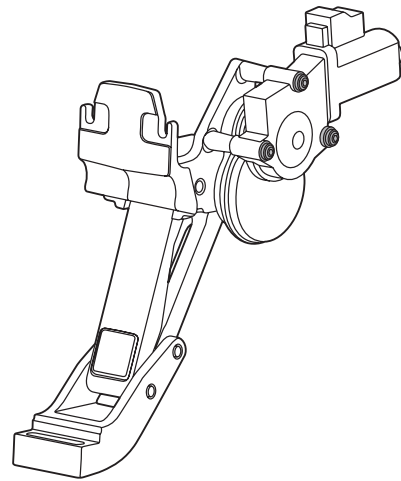
Running board assembly

- (A) End cap left (x1)
- (B) End cap right (x1)
- (C) T-nut insert (x2)
- (D) Socket cap screw (x2)
- (E) Nut plate (x2)



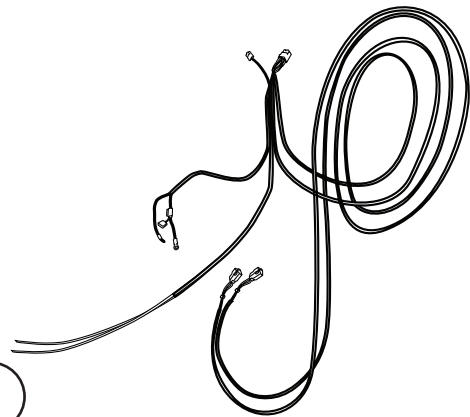
2 x2

Idler linkage assembly



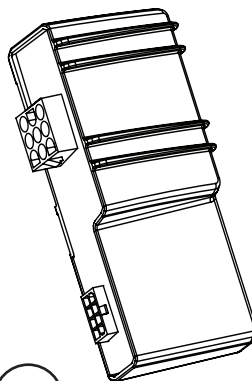
3 x2

Motor linkage assembly



4

Wire harness



5

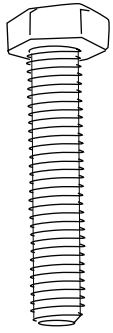
Controller STA



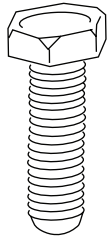
6 x2

Posi-Lock™ (Grey)

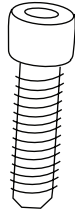
PARTS LIST AND  
HARDWARE  
IDENTIFICATION



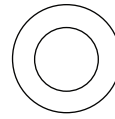
7 x8  
Hex bolt



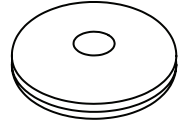
8 x 8  
Hex Bolt



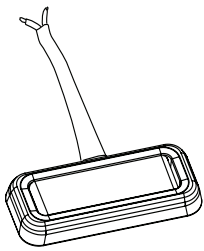
9 x8  
Socket cap screw



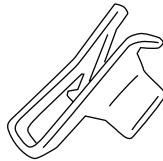
10 x16  
Washer Black



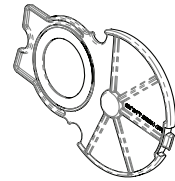
11  
Grommet



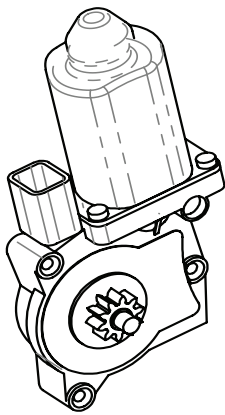
12 x4  
LED Light



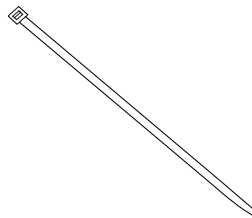
13 x8  
U-nut



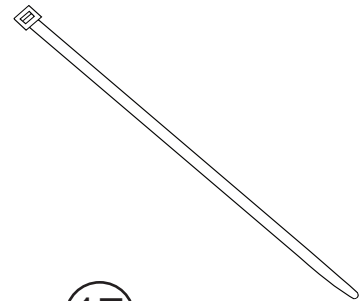
14 x2  
Gear Cover



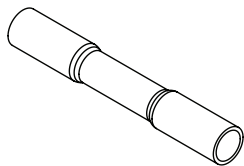
15 x2  
Motor



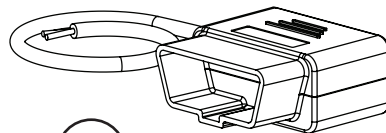
16 x20  
Cable Ties 7"



17 x2  
Cable Ties 11"



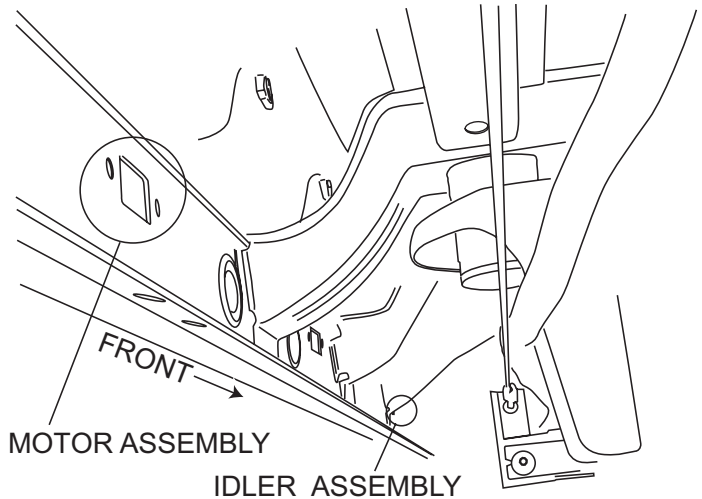
18 x8  
Butt Connector



19  
ODB II Plug

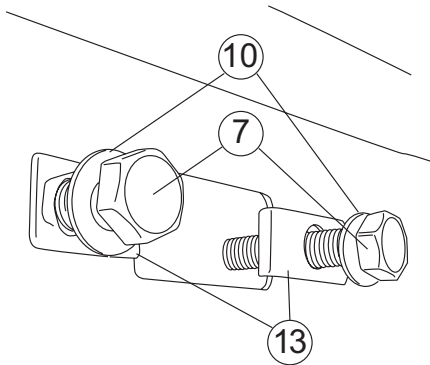
Locate mounting points; first and last set of holes on the inner sill.

Motor Linkage mounts toward the rear of the truck, with the exception of the passenger side on SuperCab trucks. Mount the motor linkage in front on the passenger side of SuperCab trucks. On SuperCab trucks tie up extra wire with supplied wire ties. **Light wires will need to be pulled out of the harness to allow lights to be installed in proper position.**



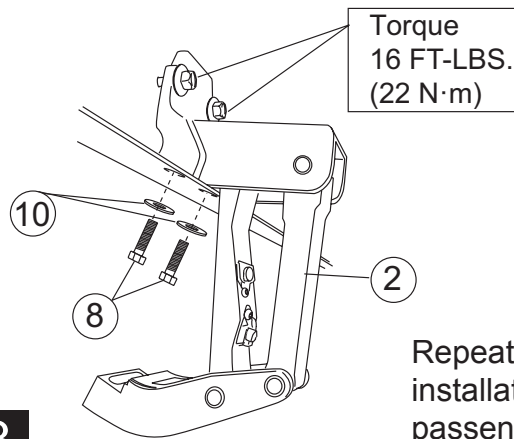
1

Install J-clips and start bolts with washers installed.



2

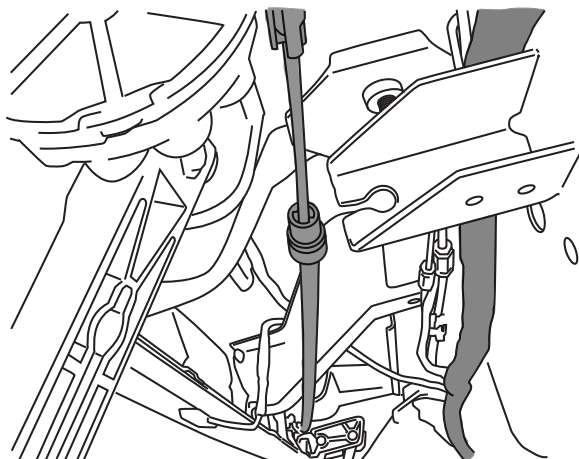
Mount idler assembly and motor assembly. Note: Filing of sheet metal edge may be required if the sheet metal holes are misaligned.



3

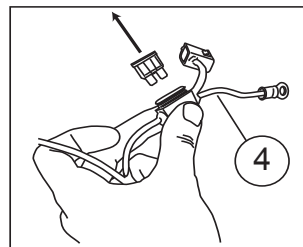
Repeat linkage installation on passenger side

On Regular Cab models remove E-brake cable and route factory wire harness above cable mount.

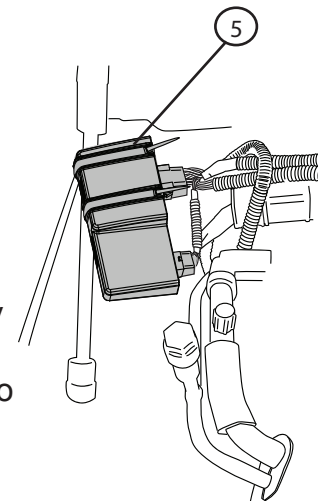


4

Remove fuse from wire harness

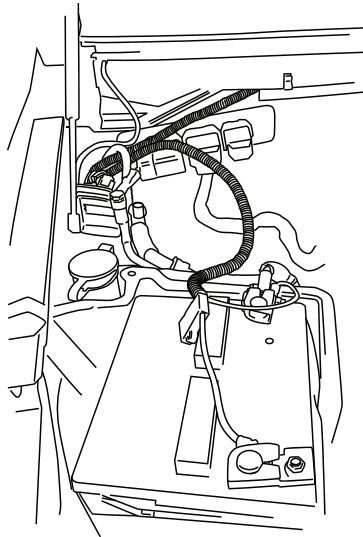


Attach wire harness to controller (make sure connector locking tabs fully engage). Mount controller with the two 11" tie wraps to factory conduit.



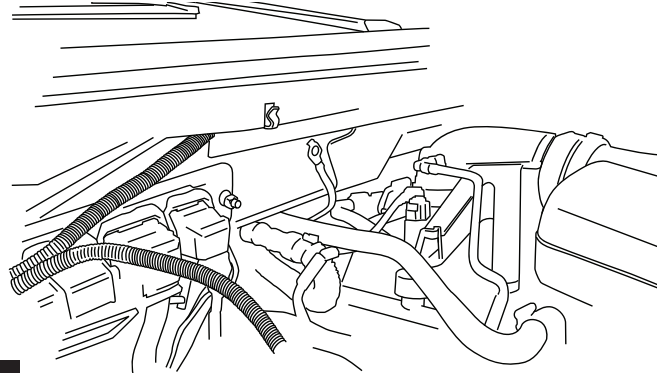
5

Connect red and black power leads to battery. Red lead goes to positive. Route shorter leg of harness down passenger-side wheel well.



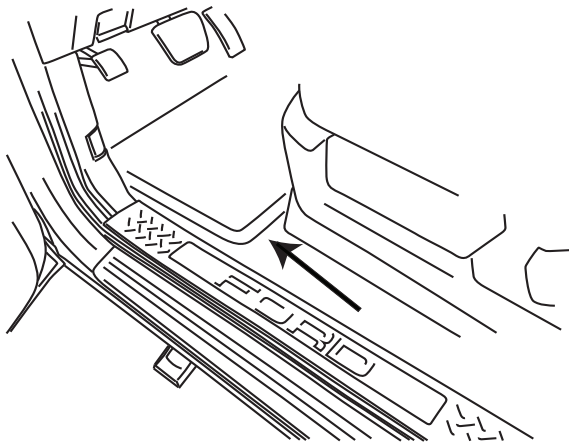
6

Route longer leg of harness down along driver-side wheel well and along frame of vehicle. Secure with tie wraps.



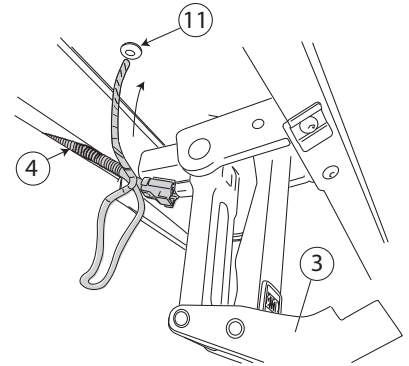
7

Remove driver side front kick panel and door sill plate. Roll back carpet to access hole for grommet installation.



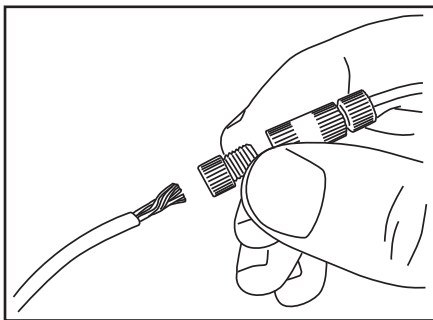
8

Remove tape from 3/4" hole in floor panel above front linkage on driver side and insert grommet. Thread the two trigger wires through grommet up into the cabin of vehicle. Seal grommet with silicone sealer.

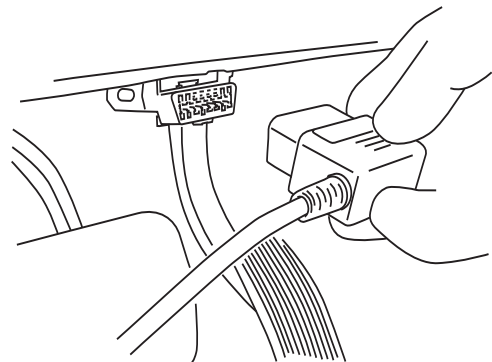


9

Wire OBD II connector with Posi-Splice.



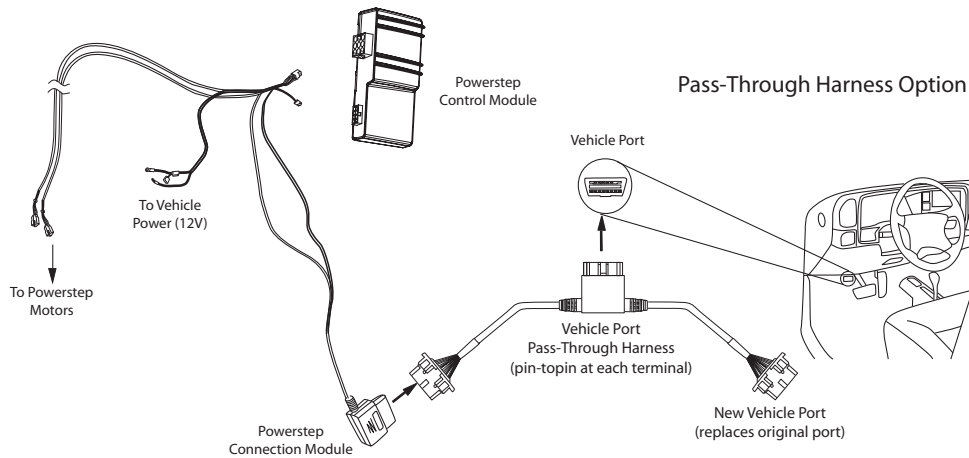
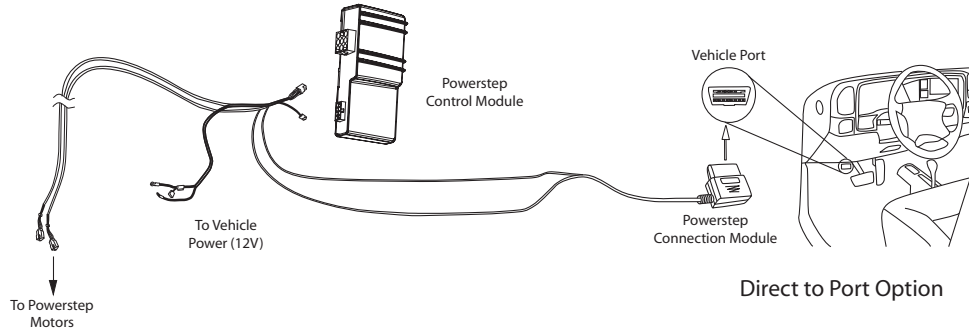
OBD II Connector located below steering column.



10

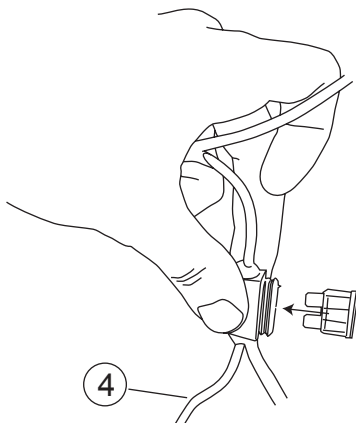
**OBD II install:** Use Supplied Posi Twist connectors to attach the Plug and Play Module to the Harness. Attach matching colors on the harness to the wires on the module. Plug in module to OBD II port on the vehicle. Secure harness with supplied tie wraps.

**Note:** If the OBD II pass thru harness (76404-01A) was purchased see install sheet supplied in packaging. The pass through harness allows for an open port for other accessories. See below for a brief description.

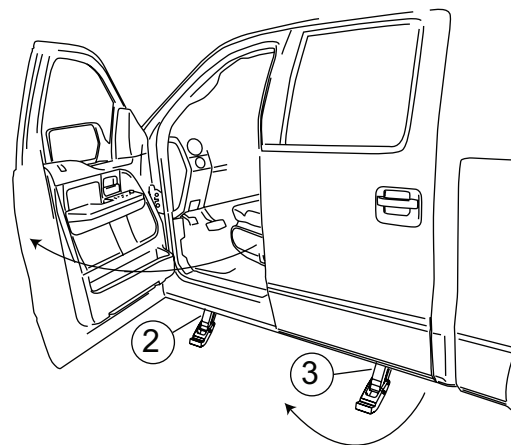


11

Replace fuse.



12

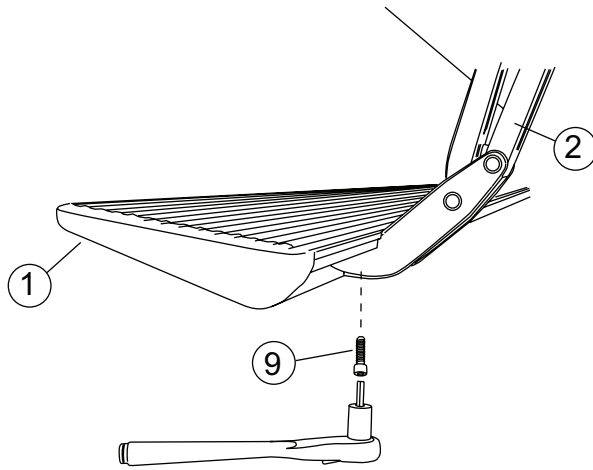


Open doors to extend drive linkage assembly (if not already extended).

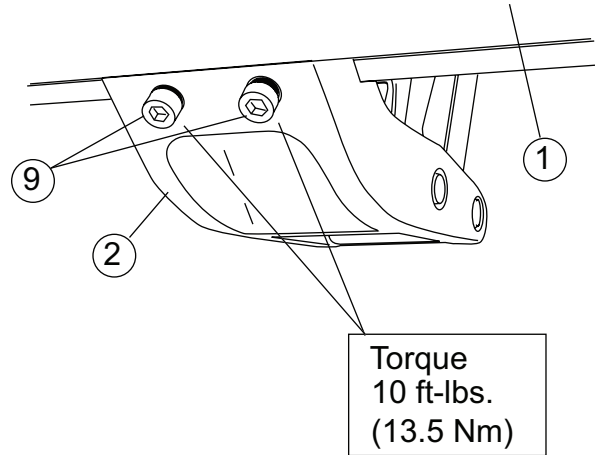
13



Attach step, sliding the mounting T-nut into position. Align endcap with edge of front door.



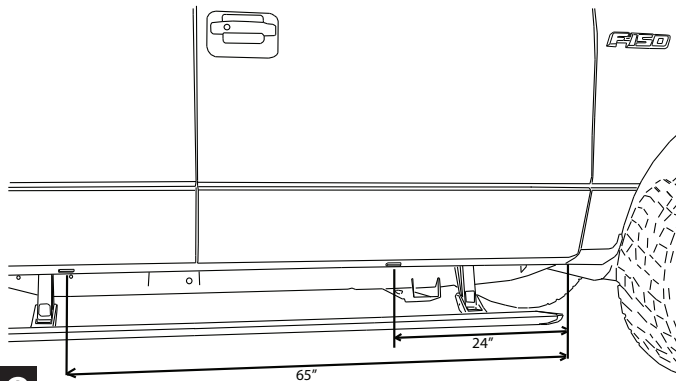
14



Torque  
10 ft-lbs.  
(13.5 Nm)

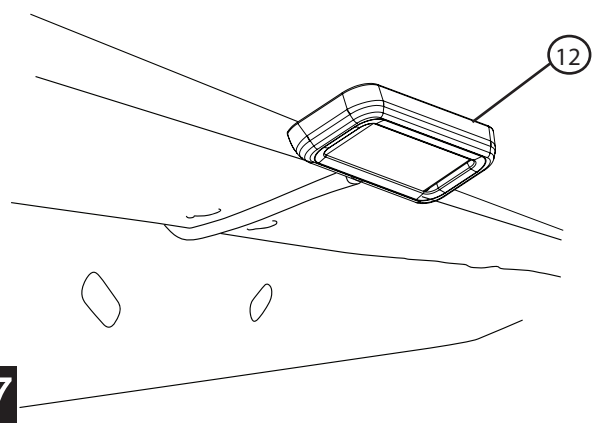
15

On each side of the vehicle measure from the front edge of door line on the pinch weld to the specified lengths below. Measure at 20" for front LED Light and 60" for rear LED Light.



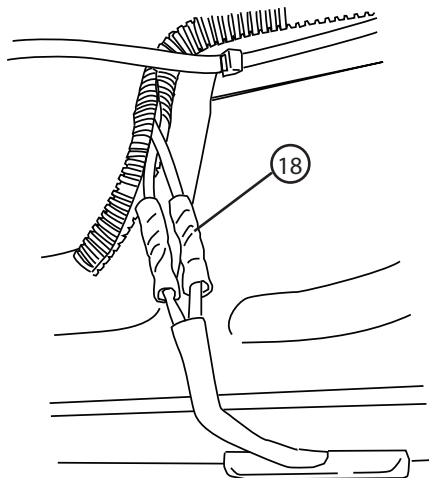
16

Affix lamps to rocker panel surface. Make sure the lamp is affixed to a clean, flat surface. There is a step down midway across the surface. Affix lamp just outside of step down.



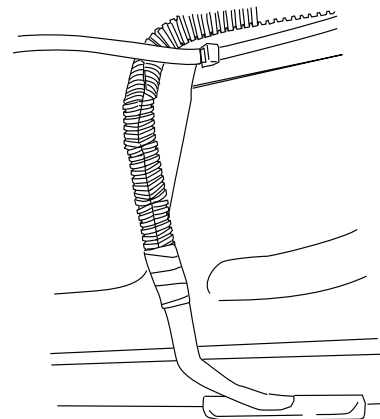
17

Using supplied butt connectors, connect the lamp wires. Red to Red, Black to Black



18

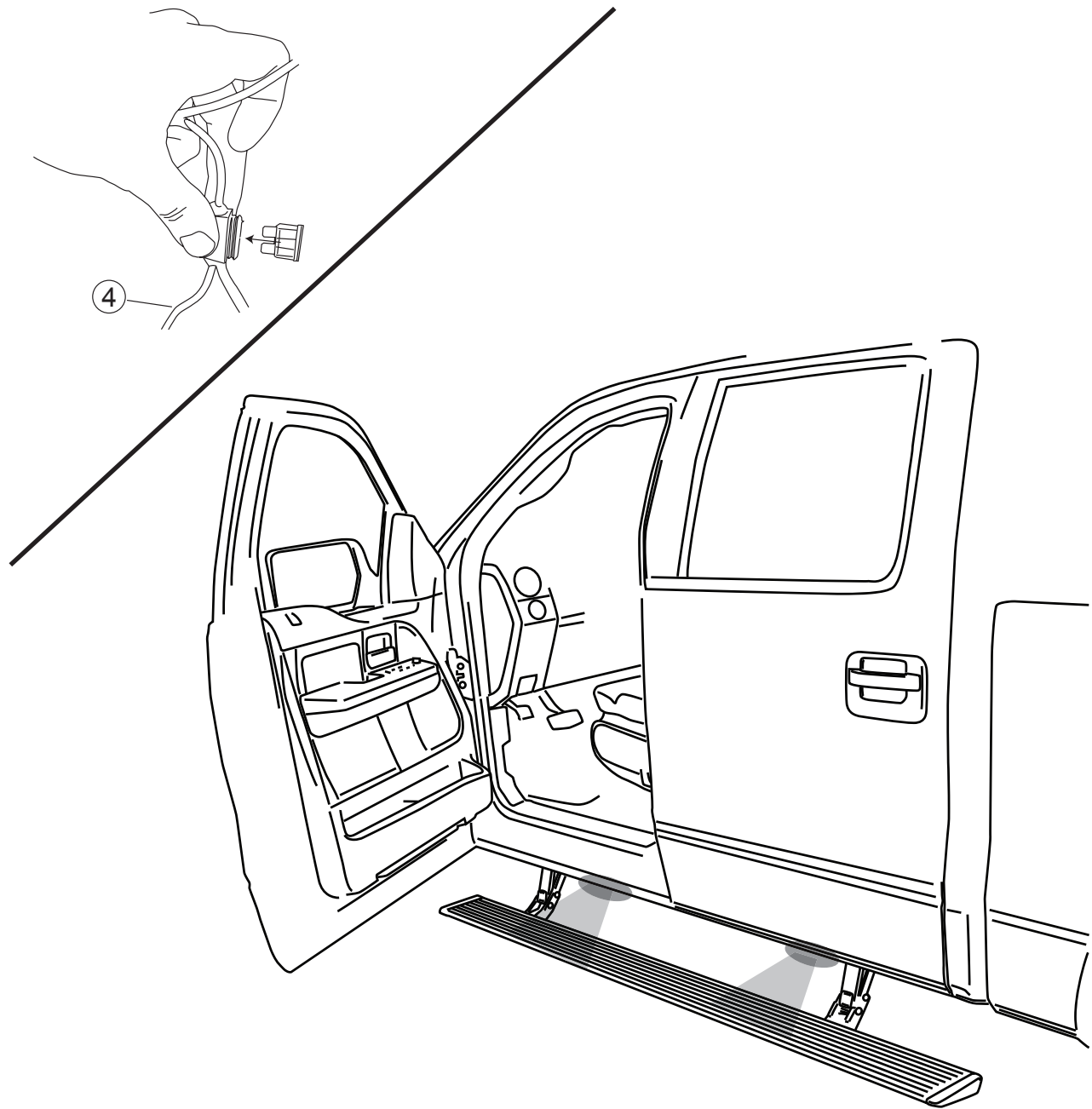
Close and wrap with conduit and electrical tape. Secure all loose wires with cable ties, with lamp wires pulled upward to avoid any wire snagging.



19



Replace fuse.



#### FINAL SYSTEM CHECK

Check that all doors activate the PowerStep and the LED lights work when doors open and close.

**NORMAL OPERATION:** When the doors open, PowerStep automatically deploys from under the vehicle. When the doors are closed, PowerStep will automatically return to the stowed/retracted position. **Note that there is a 2-second delay before the PowerStep returns to the stowed/retracted position.**

**CORRECT OPERATION OF LIGHTS:** All four lamps will illuminate upon opening any door of vehicle. Lamps will stay on until restowing of both Power Steps or until 5 minutes has expired with the doors open. When the lights timeout after 5 minutes, they can be reilluminated by closing and opening any door of vehicle.



# PowerStep™

AMERICAN DESIGNED, ENGINEERED AND MANUFACTURED.

**Thank you for your recent AMP Research Purchase.**

**REGISTER YOUR PRODUCT TODAY FOR  
FASTER SERVICE & PRODUCT UPDATES**

Please visit:

**[www.amp-research.com/productregistration](http://www.amp-research.com/productregistration)**

or scan the QR Code



**Product Registration Benefits:**

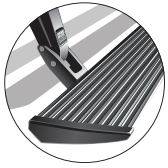
- Ensure we have your purchase receipt and product info in our system which is required for warranty
- Faster and easier access to customer service and tech support in the unlikely event you need warranty or product support
- Registration helps us keep you up to date on product information and offers

To view other Amp Research products that may be offered for your vehicle.

**Please visit: [www.amp-research.com](http://www.amp-research.com)**

Rev 01.05.21

**POWER-DEPLOYABLE RUNNING BOARDS OPERATION:** AMP Research PowerStep running boards automatically move when the doors are opened to assist entering and exiting the vehicle.



**Automatic power deploy:**

The running boards will extend down and out when the doors are opened.

**Automatic power stow:**

The running boards will return to the stowed position when the doors are closed. There will be a 2-second delay before the running boards move to the stowed position.

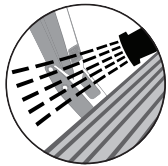
**Automatic stop:**

If an object is in the way of the moving running board, the running board will automatically stop. To reset, clear any obstruction, then simply open and close the door to resume normal operation.



**Manually set in the deployed (OUT) position for access to the roof:**

The running boards can be manually set in the deployed position by firmly holding the step down with your foot while at the same time closing the door. To resume normal operation, open and close the door.



**Maintenance:** In adverse conditions, debris such as mud, dirt, and salt may become trapped in the running board mechanism, possibly leading to unwanted noise. If this occurs, manually set the running boards to the deployed position and flush the front and rear hinge arms with a high-pressure car wash wand.

Avoid spraying the motors directly. After washing, apply silicone spray lubricant to the hinge pivot pins. Do not apply silicone, wax or protectants like Armor All® to the running board stepping surface.

**Caution!** Keep hands away when the running board is in motion.

## 5-YEAR LIMITED WARRANTY

AMP RESEARCH warrants this product to be free from defects in material and workmanship for FIVE (5) YEARS FROM DATE OF PURCHASE, provided there has been normal use and proper maintenance. This warranty applies to the original purchaser only. All remedies under this warranty are limited to the repair replacement of the product itself, or the repair or replacement of any component part thereof, found by the factory to be defective within the time period specified. The decision to repair or replace is wholly within the discretion of the manufacturer.

This warranty specifically excludes labor. If you have a warranty claim, first you must call our factory at the number below for instructions. You must retain proof of purchase and submit a copy with any items returned for warranty work. Upon completion of warranty work, if any, we will return the repaired or replaced item or items to you freight prepaid. Damage to our products caused by accidents, fire, vandalism, negligence, misinstallation, misuse, Acts of God, or by defective parts not manufactured by us, is not covered under this warranty.

ANY IMPLIED WARRANTIES OF MERCHANTABILITY AND/OR FITNESS FOR A PARTICULAR PURPOSE CREATED HEREBY ARE LIMITED IN DURATION TO THE SAME DURATION AND SCOPE AS THE EXPRESS WRITTEN WARRANTY. OUR COMPANY SHALL NOT BE LIABLE FOR ANY INCIDENTAL OR CONSEQUENTIAL DAMAGE.

Some states do not allow limitations on how long an implied warranty lasts, or the exclusion or limitation of incidental or consequential damages, so the above limitations or exclusions may not apply to you. This warranty gives you specific legal rights, and you may also have other rights that vary from state to state.

**FOR WARRANTY ISSUES WITH THIS PRODUCT PLEASE CALL AMP RESEARCH CUSTOMER SERVICE 1-888-983-2204**

## WARNING

Be sure to read and precisely follow the provided instructions when installing this product. Failure to do so could place the vehicle occupants in a potentially dangerous situation. After installing or reinstalling, re-check to insure that the product is properly installed.



The material that your product is made from can be recycled. Please also consider recycling the packaging that your product came in.

