

INSTALLATION MANUAL

18151

Level of Difficulty

Easy

Installation difficulty levels are based on time and effort involved and may vary depending on the installer level of expertise, condition of the vehicle and proper tools and equipment.

Weight Carrying Capacity

Weight capacity	500 lbs.
-----------------	----------

Parts List

Item	Qty	Description
1	2	Platform frame, half
2	1	Shank, 2"
3	2	Connecting plate
4	1	Folding shank assembly
5	1	Clip
6	1	Pin, 5/8"
7	1	Lock nut, M16
8	1	Hex bolt, M16 x 80mm
9	2	Lock nut, M12
10	2	Flat washer, M12
11	2	Hex bolt, M12 x 75mm
12	8	Lock nut, M10
13	8	Flat washer, M10
14	8	Carriage bolt, M10 x 20mm

Tools Required

Wrench, 17mm	Wrench, 24mm
Wrench, 19mm	Adjustable wrench

Torque Specifications

M10 bolt	16 ft-lbs.
M12 bolt	28 ft-lbs.
M16 bolt	70 ft-lbs.

Use above torque setting unless otherwise noted

⚠ WARNING

Never exceed the vehicle manufacturer's recommended towing capacity.

Do not exceed maximum weight capacity of 500 lbs. when using 2" receiver tube. Distribute the weight evenly on platform when hauling a load.

Do not carry loads taller, wider or deeper than the cargo carrier. Do not carry flammable items on carrier or allow exhaust fumes to blow directly on your cargo. This is a fire hazard.

Always use caution when in reverse (R) to help avoid personal injury.

Loads must be evenly distributed.

Never use as a step or platform - injury may result.

Do not use to carry flammable items or allow exhaust fumes to blow directly on items in the carrier - fire hazard.

Do not use to transport people.

Do not block brake lights or turn signals.

Product Photo



NOTICE

Visit www.curtmfg.com for a full-color copy of this instruction manual, as well as helpful videos, guides and much more!

Before you begin installation, read all instructions thoroughly.

Proper tools will improve the quality of installation and reduce the time required.

Periodic inspection of your product should be performed to ensure all hardware and / or components remain secure.

Product Registration and Warranty

CURT stands behind our products with industry-leading warranties. To get copies of the product warranties, register your purchase or provide feedback, visit: warranty.curtgroup.com/surveys

ASSEMBLY

Parts List

Item	Qty	Description
1	2	Platform frame, half
2	1	Shank, 2"
3	2	Connecting plate
4	1	Folding shank assembly
5	1	Clip
6	1	Pin, 5/8"
7	1	Lock nut, M16
8	1	Hex bolt, M16 x 80mm
9	2	Lock nut, M12
10	2	Flat washer, M12
11	2	Hex bolt, M12 x 75mm
12	8	Lock nut, M10
13	8	Flat washer, M10
14	8	Carriage bolt, M10 x 20mm

Step 1

Align the two platform halves (#1) on either side of the 2" shank (#2). Insert the two M12 hex bolts (#11) through the platform (#1), shank (#2) and other platform half (#1). Install M12 flat washers (#10) and M12 lock nuts (#9) on the hex bolts (#11). Snug the hardware, but do not fully tighten.

Step 2

Place the two connecting plates (#3) onto the front and back of the platforms (#1). Insert the M10 carriage bolts (#14) through the outside of the platforms (#1) followed by the M10 flat washers (#13) and secure with M10 lock nuts (#12) to the inside of the platforms (#1).

Tighten all hardware to the recommended torque specifications on page 1.

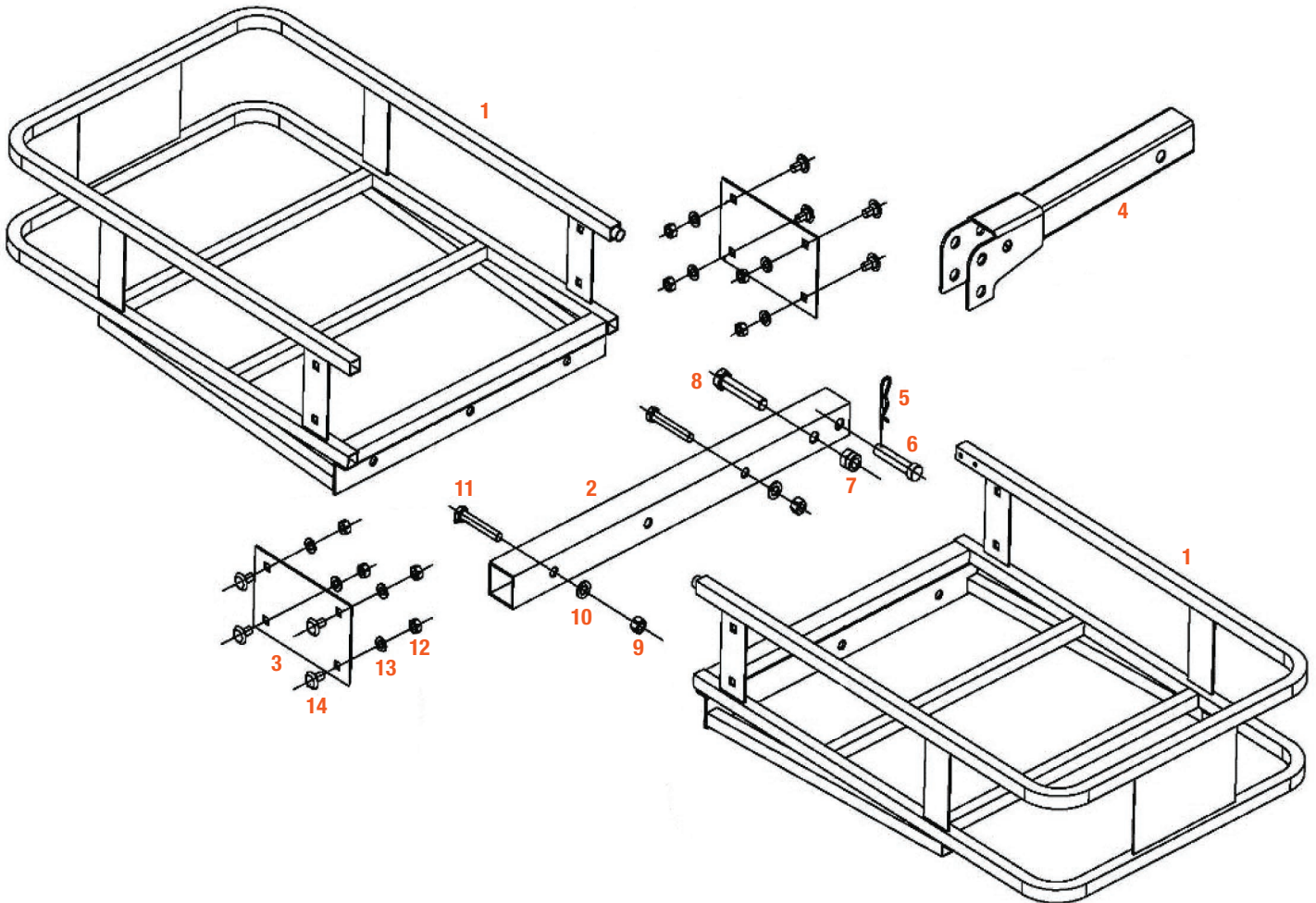
Step 3

Connect the folding shank assembly (#4) to the 2" shank (#2) with an M16 hex bolt (#8), pin (#6) and clip (#5).

Step 4

To adjust the cargo carrier to the upright, folded position, remove the pin and clip (#5, #6). Lift the frame body up until it is in the vertical position. Reinsert the pin (#6) through the shank (#2) and the lower hole of the folding shank assembly (#4).

Secure the pin with the provided clip (#5).



TOWING BASICS & SAFETY INFORMATION

For information on safely towing your trailer, visit curtmfg.com/understanding-towing.