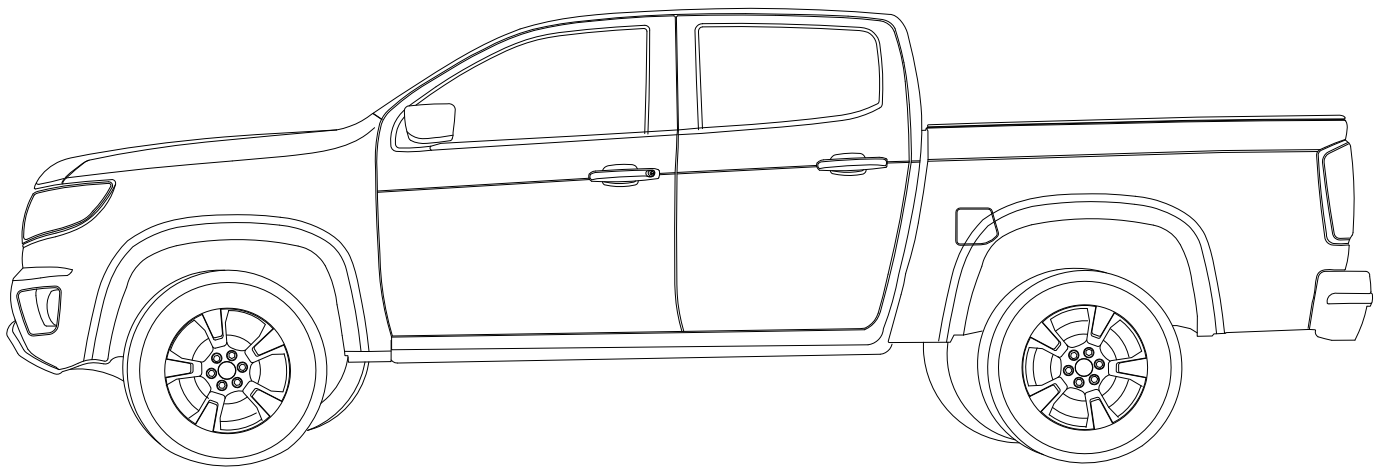




Installation Guide

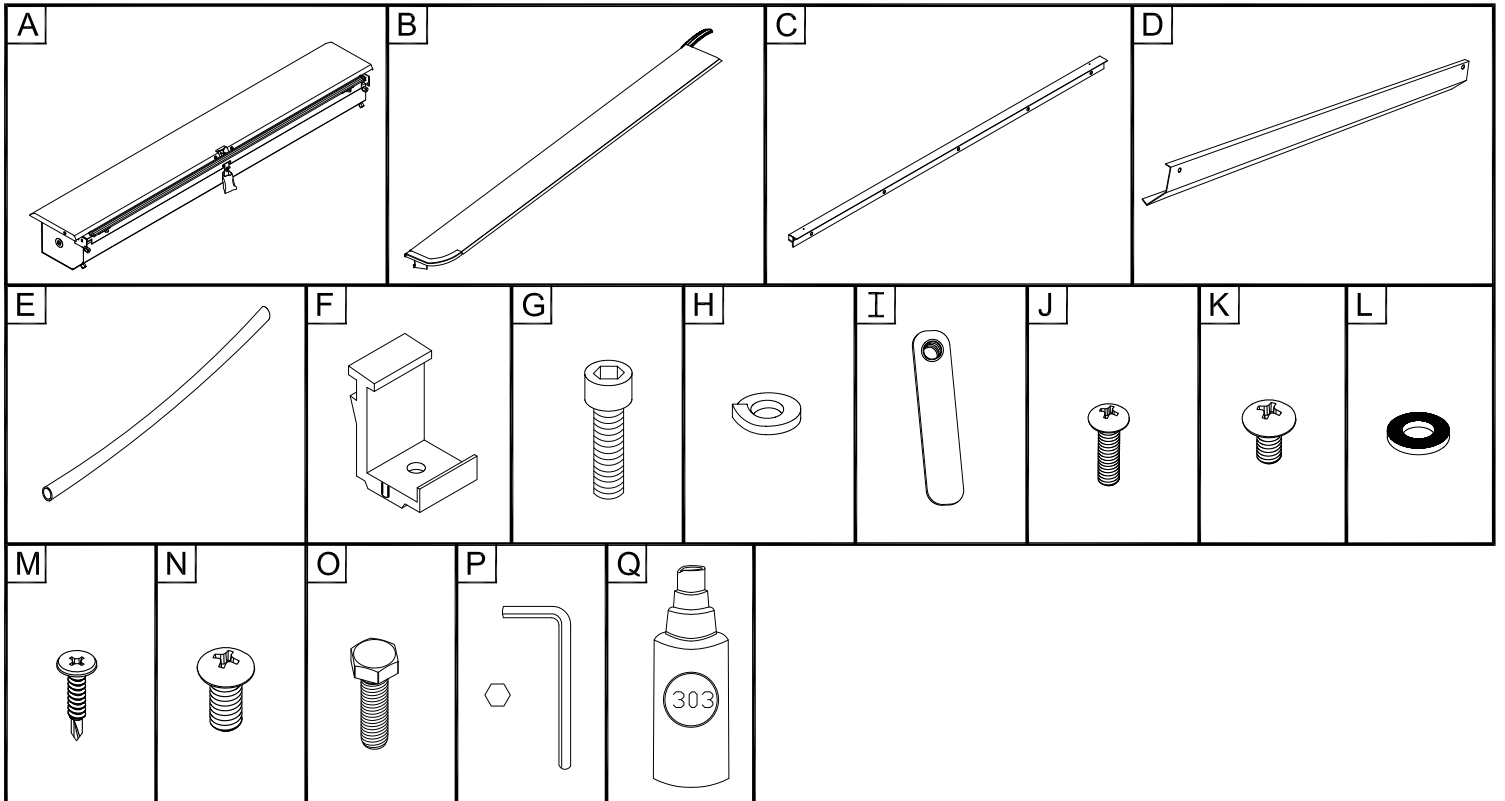
2012 Isuzu D-Max Double Cab



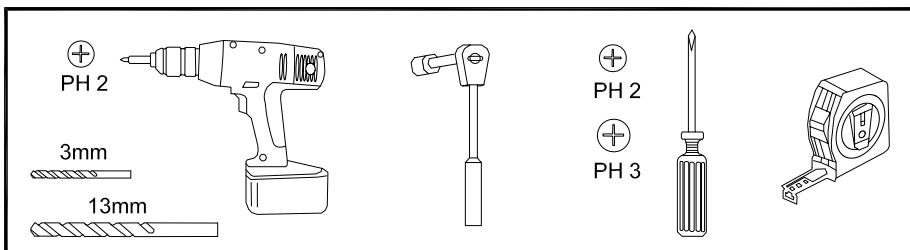
Product Code
247

Parts List

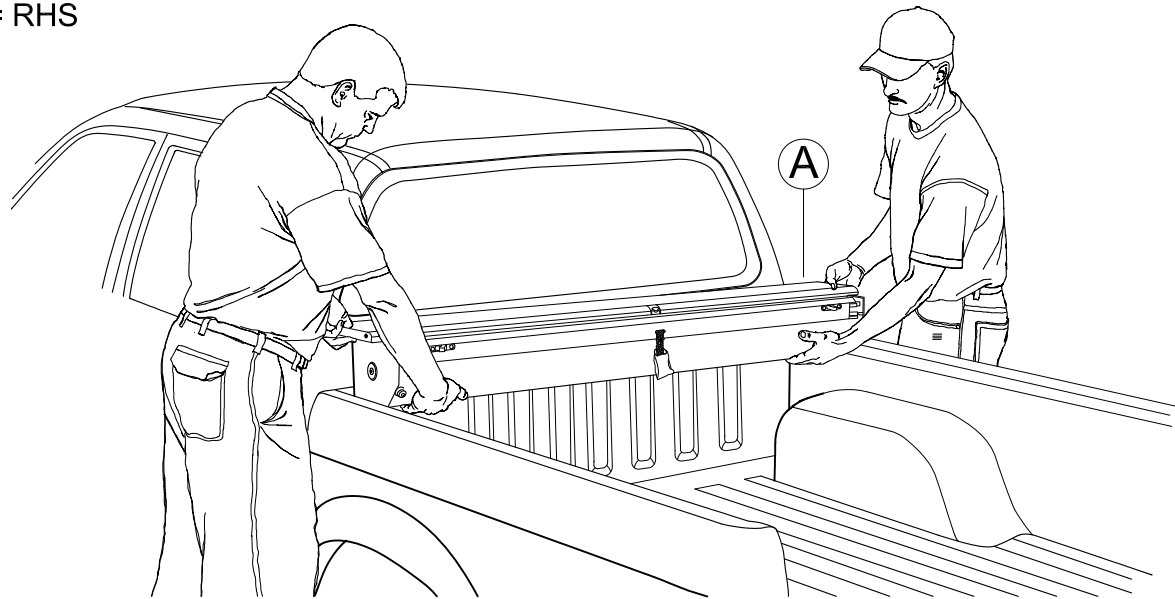
Item	Part Name	Qty.	Item	Part Name	Qty.	Item	Part Name	Qty.
A	Housing	1	G	5/16" Socket Cap Screw	6	M	#8 Tek Screw	5
B	Track	2	H	5/16" Lock Washer	6	N	Lid Screw	2
C	Tailgate Extrusion	1	I	Cargo Nut	2	O	1/4-20 x 1" Bolt	2
D	Cargo Shield	1	J	#10-24 Screw	2	P	Allen Wrench	1
E	Drain Tube	2	K	1/4-20 x 3/8" Screw	4	Q	303 Vinyl Protectant	1
F	(U) Bed Clamp	6	L	Black Rubber Washer	4			



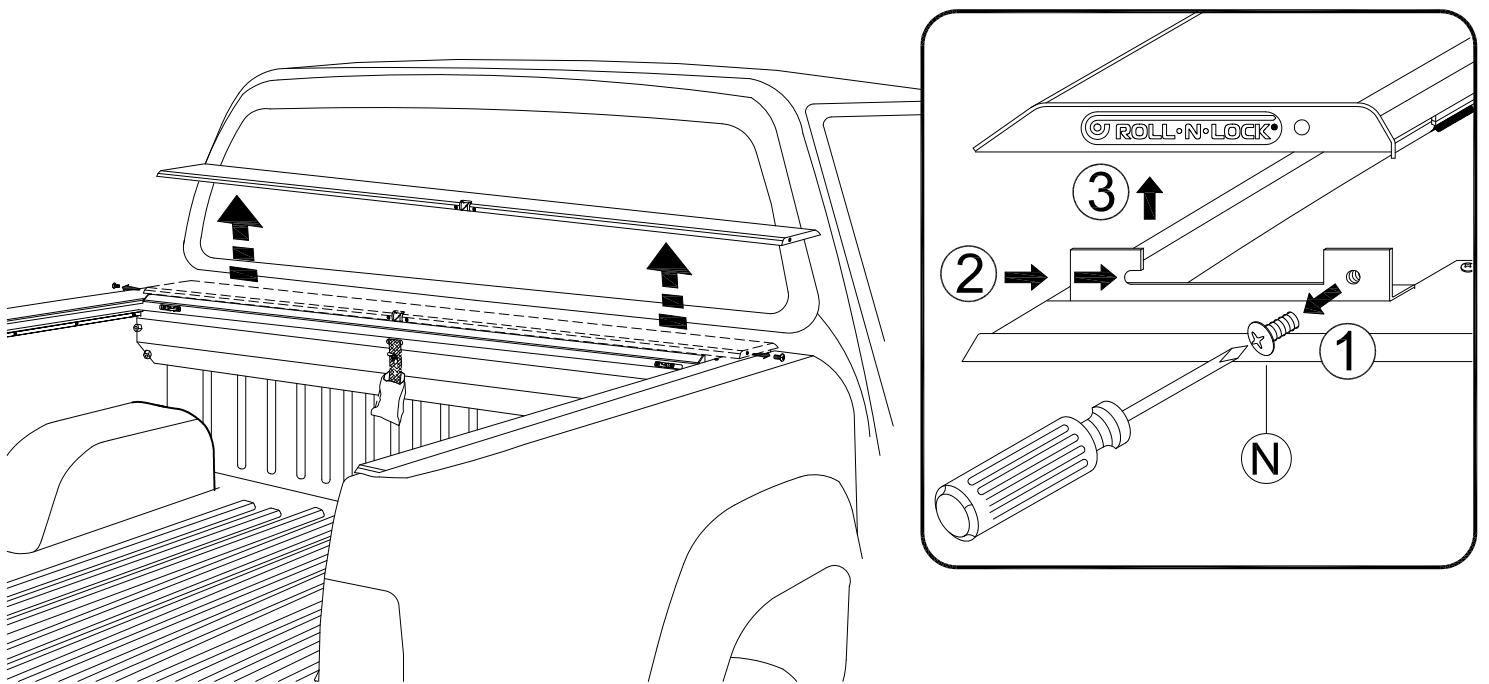
Tools Needed



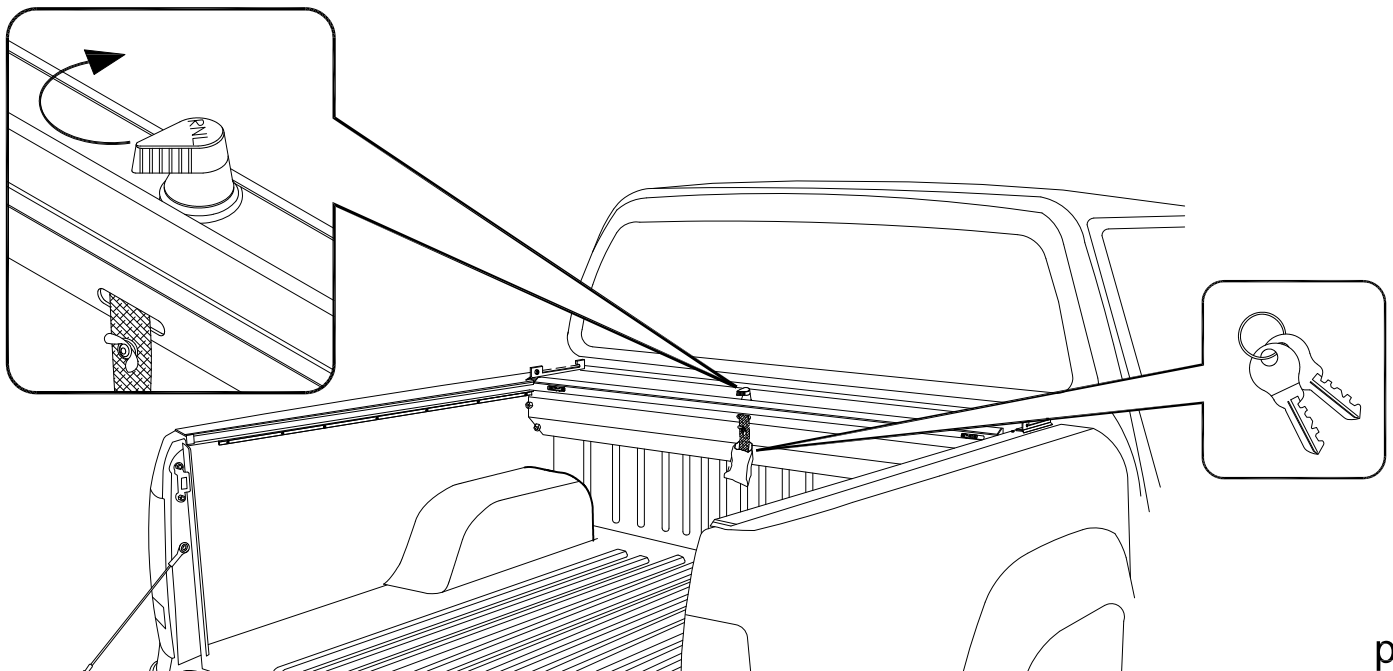
1 LHS = RHS



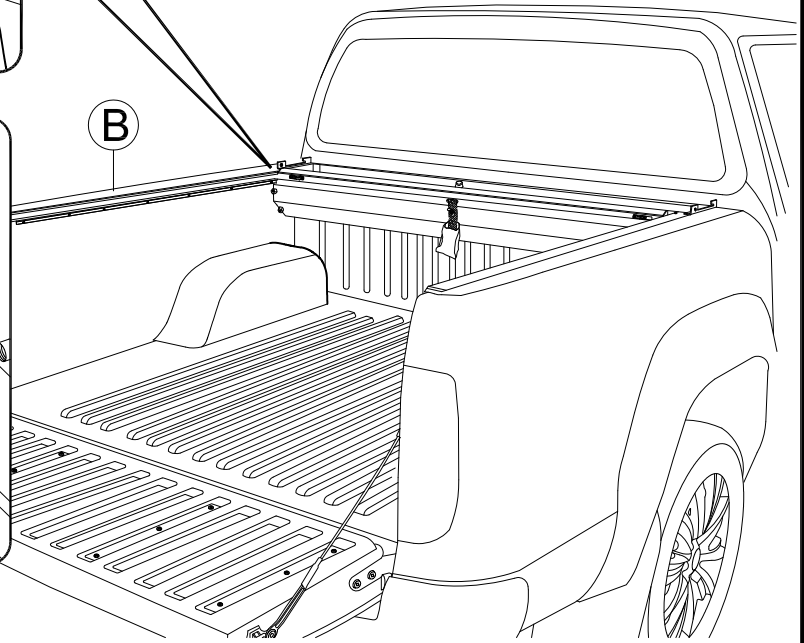
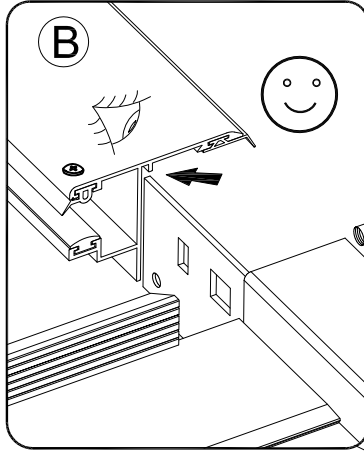
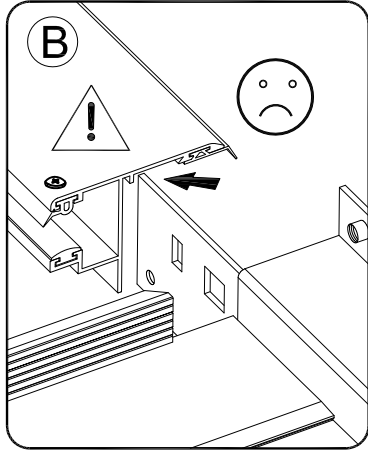
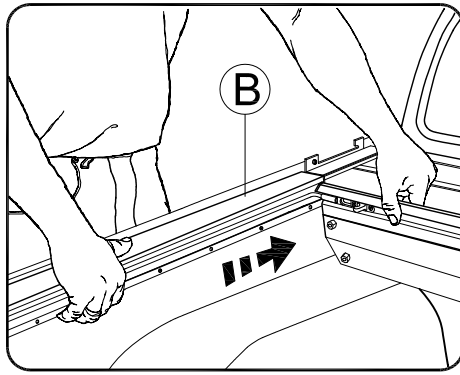
2 LHS = RHS



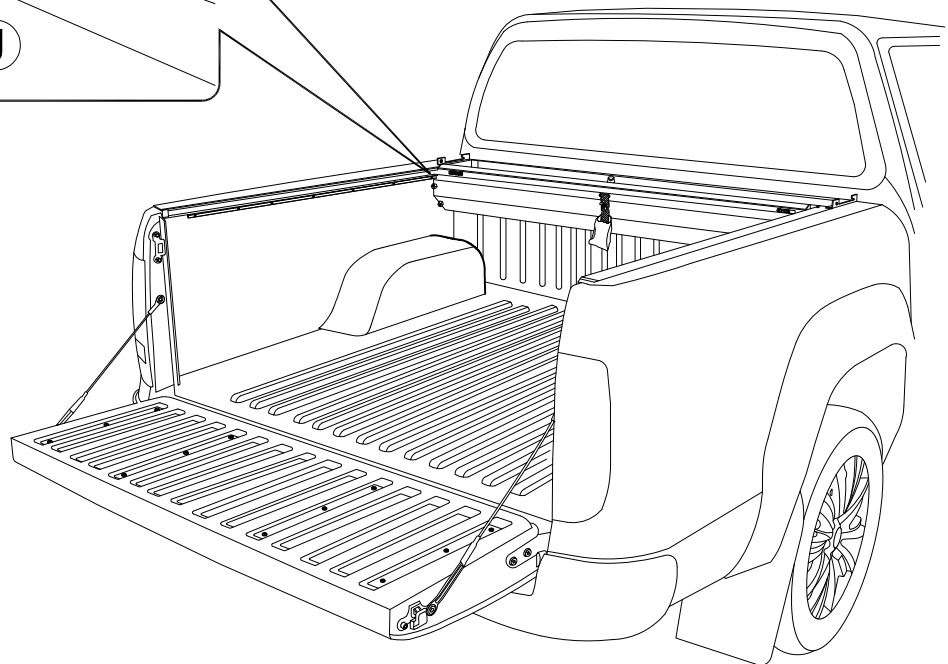
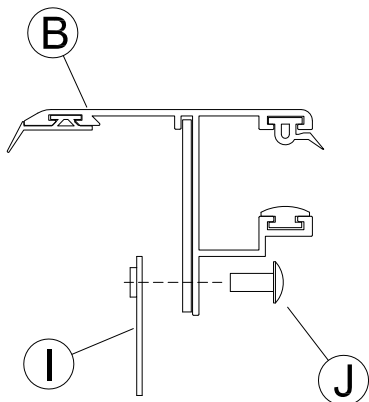
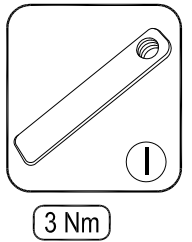
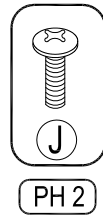
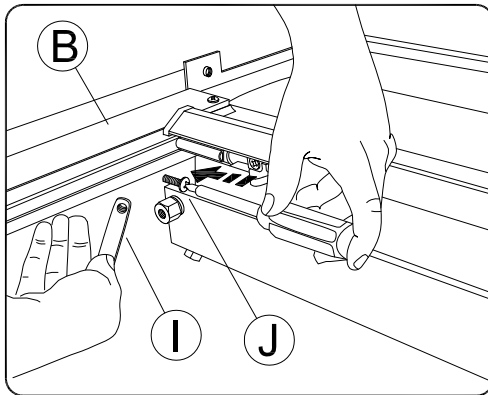
3

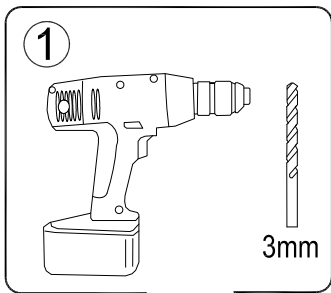
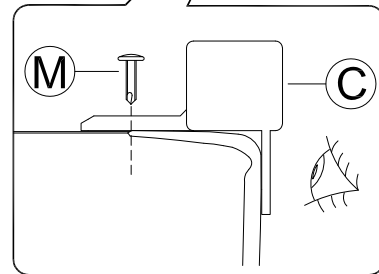
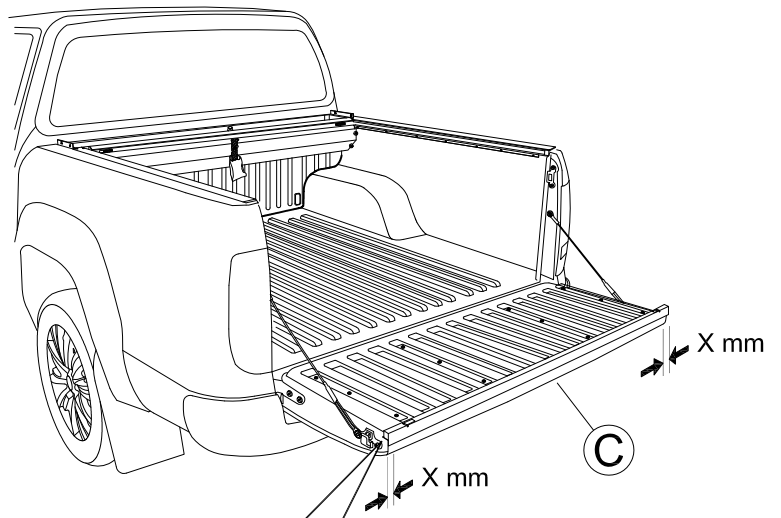
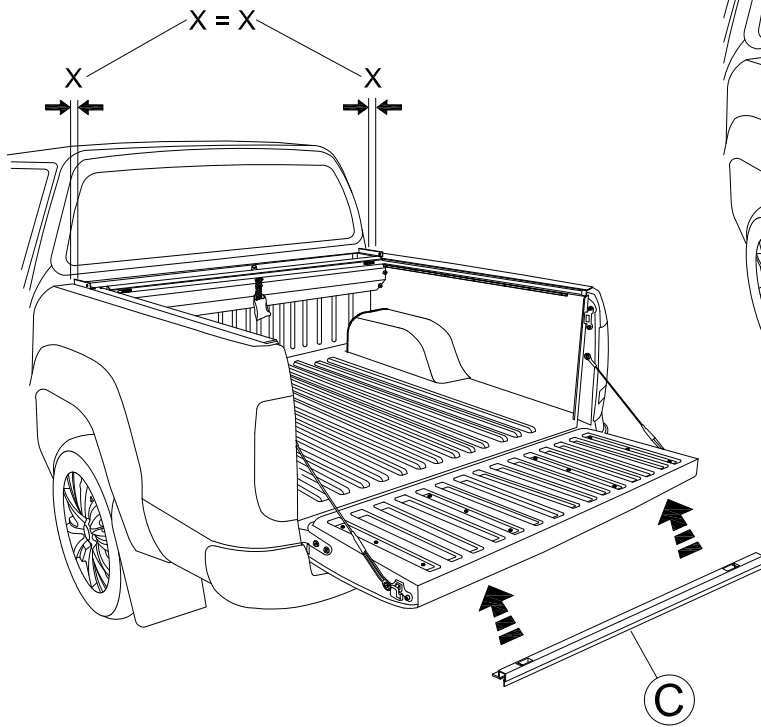
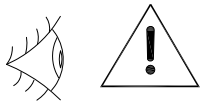


4 LHS = RHS



5 LHS = RHS

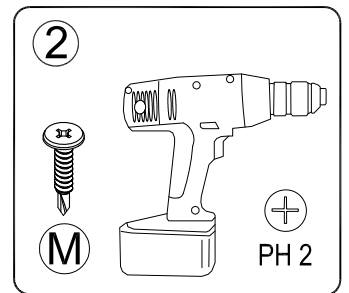
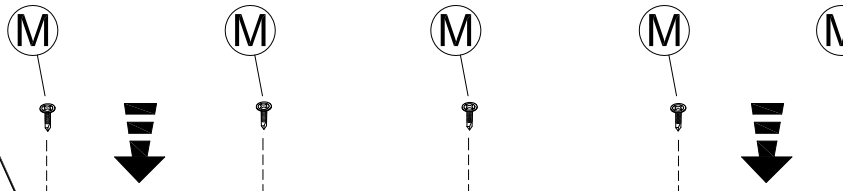




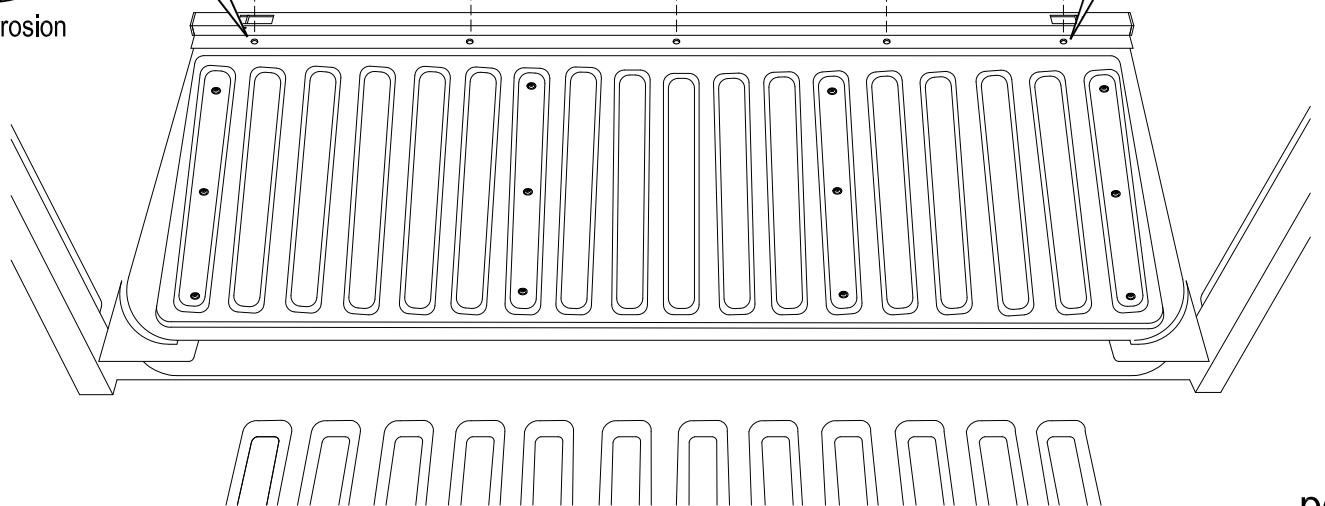
3mm



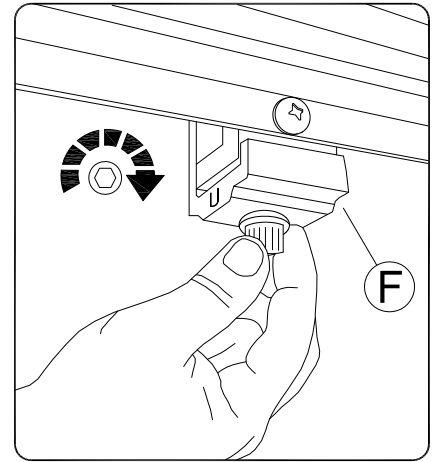
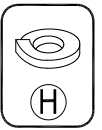
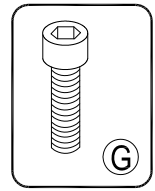
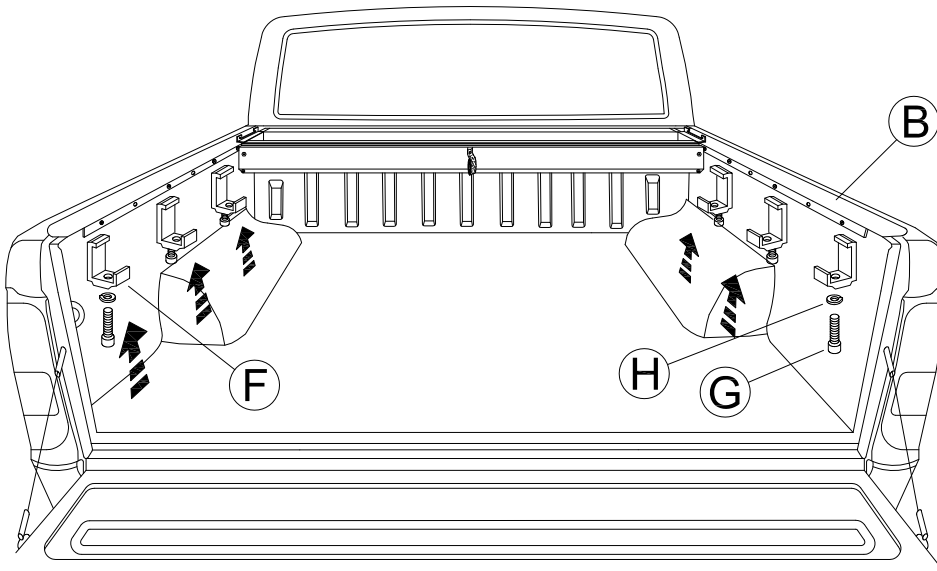
anti-corrosion



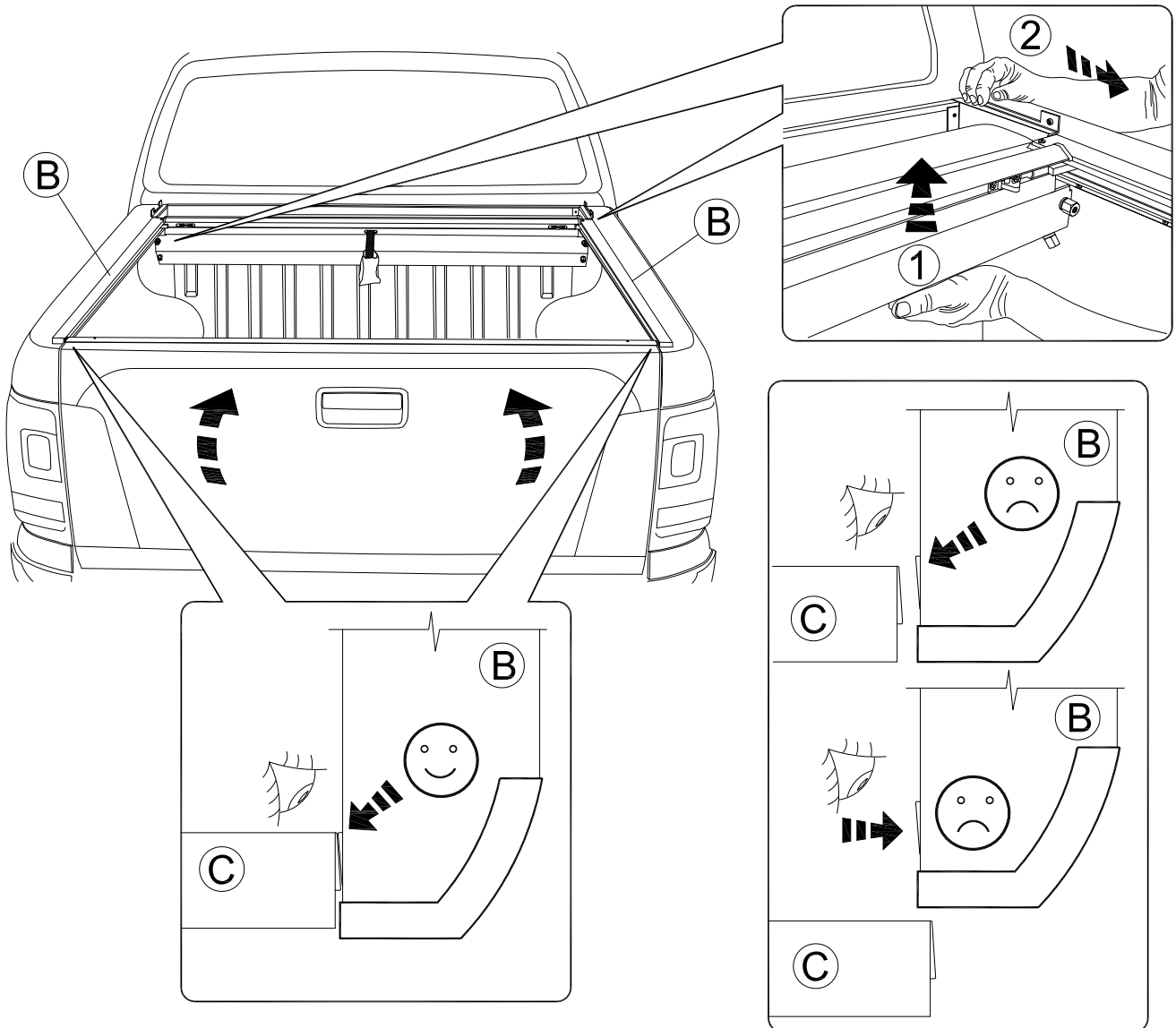
4 Nm

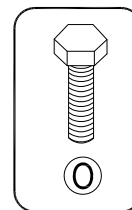
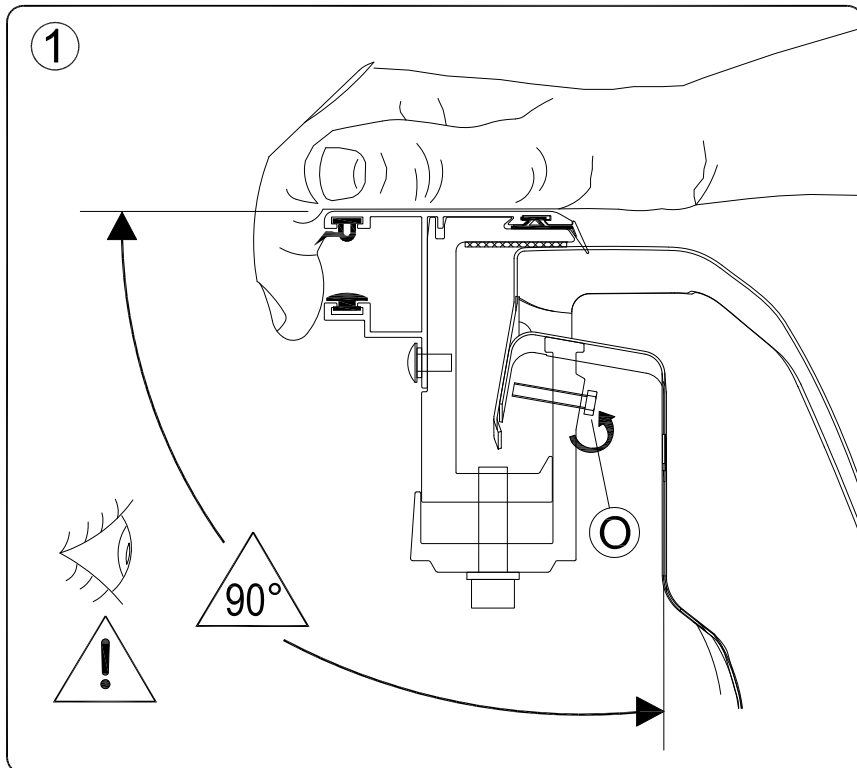
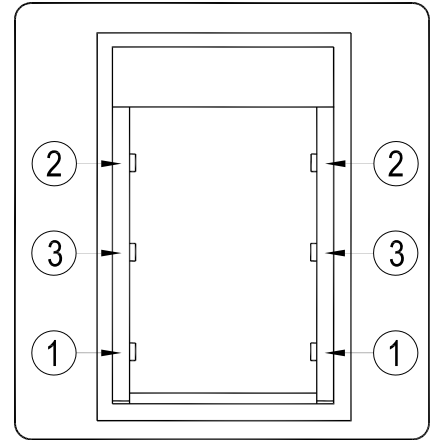
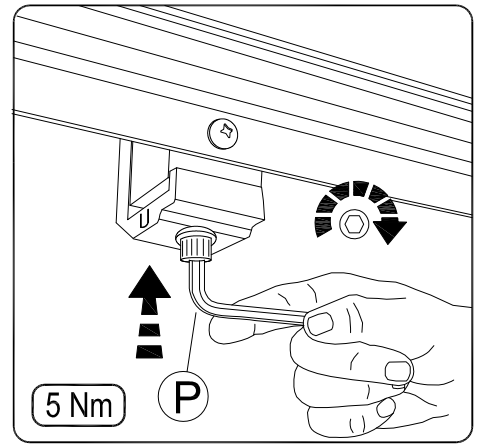
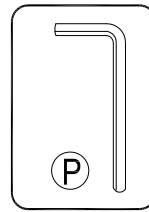
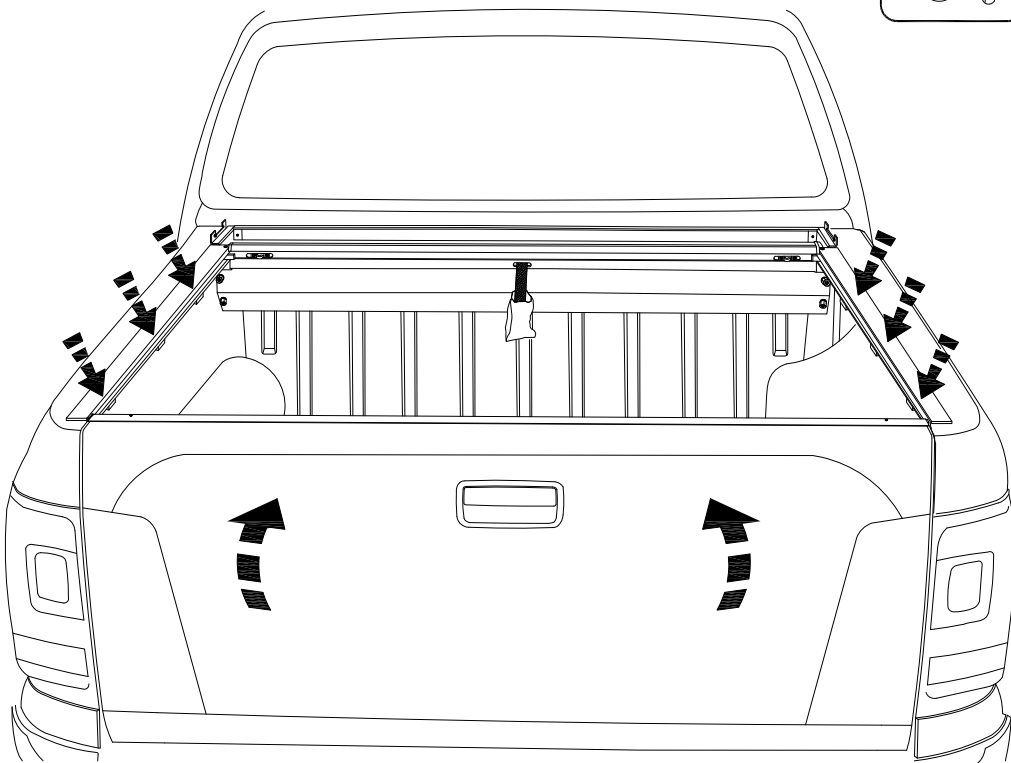


7 LHS = RHS

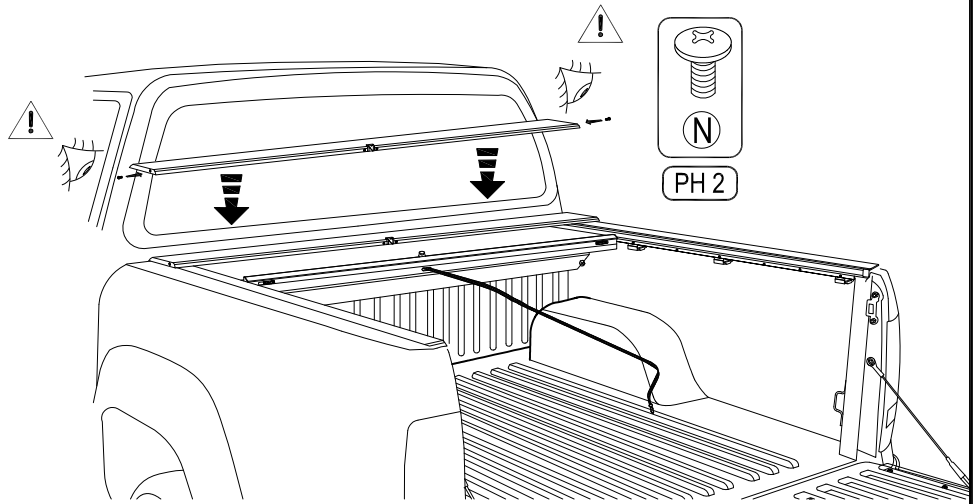
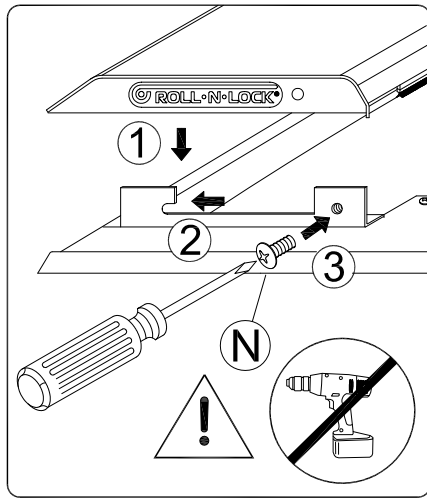
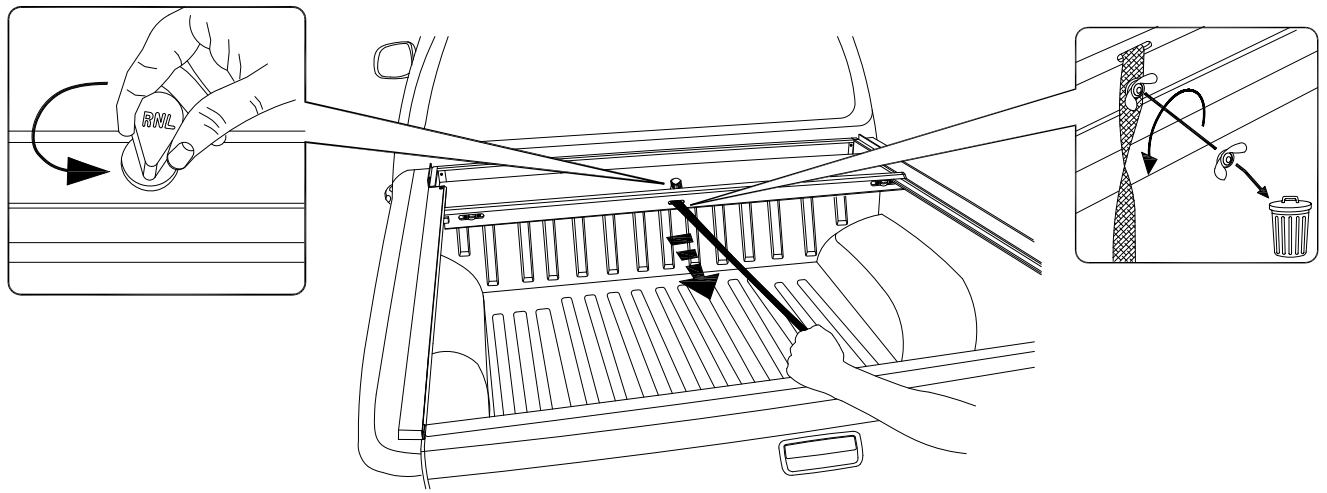


8 LHS = RHS





10



11 LHS = RHS

