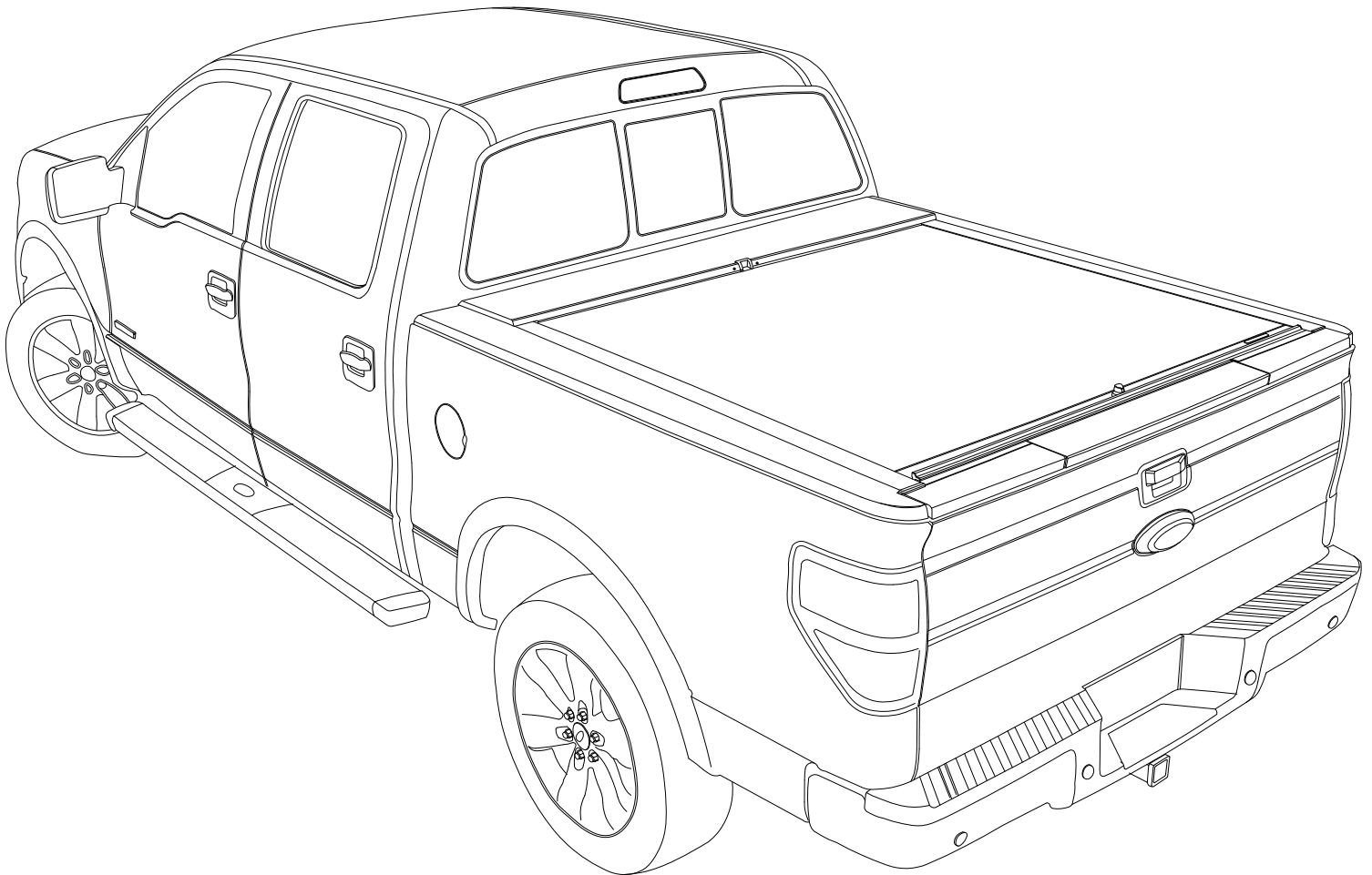




Installation Guide

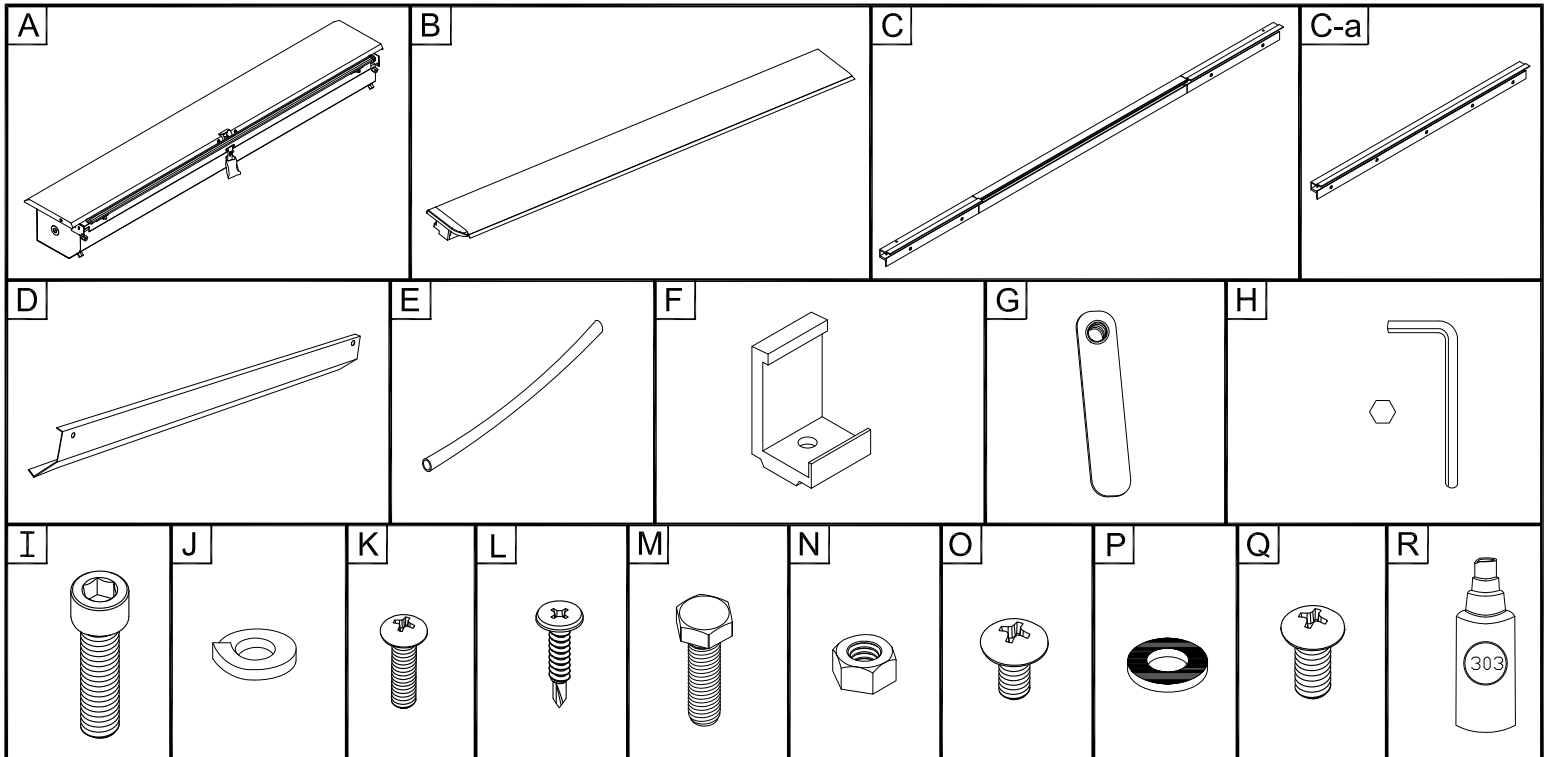
Ford F-150



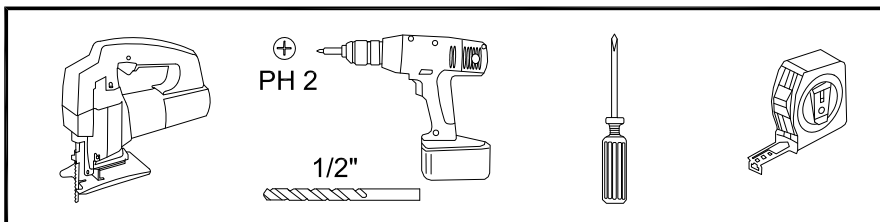
Product Code
111-112-113

Parts List

Item	Part Name	Qty.	Item	Part Name	Qty.	Item	Part Name	Qty.
A	Housing	1	G	Cargo Nut	2	N	1/4" Nut	2
B	Track	2	H	Allen Wrench (1/4")	1	O	1/4-20 x 3/8" Screw	4
C	Tailgate Extrusion	1	I	5/16" Socket Cap Screw	4/6	P	Rubber Washer	4
C-a	Alt. Tailgate Extrusion	1	J	5/16" Lock Washer	4/6	Q	1/4" Lid Screw	2
D	Cargo Shield	1	K	#10-24 Screw	2	R	303 Vinyl Protector	1
E	Drain Tube	2	L	#8 x 1 1/4" Self Tap Screw	5			
F	Bed Clamps	6/8	M	1/4"-20 x 1" Hex Head Bolt	2			

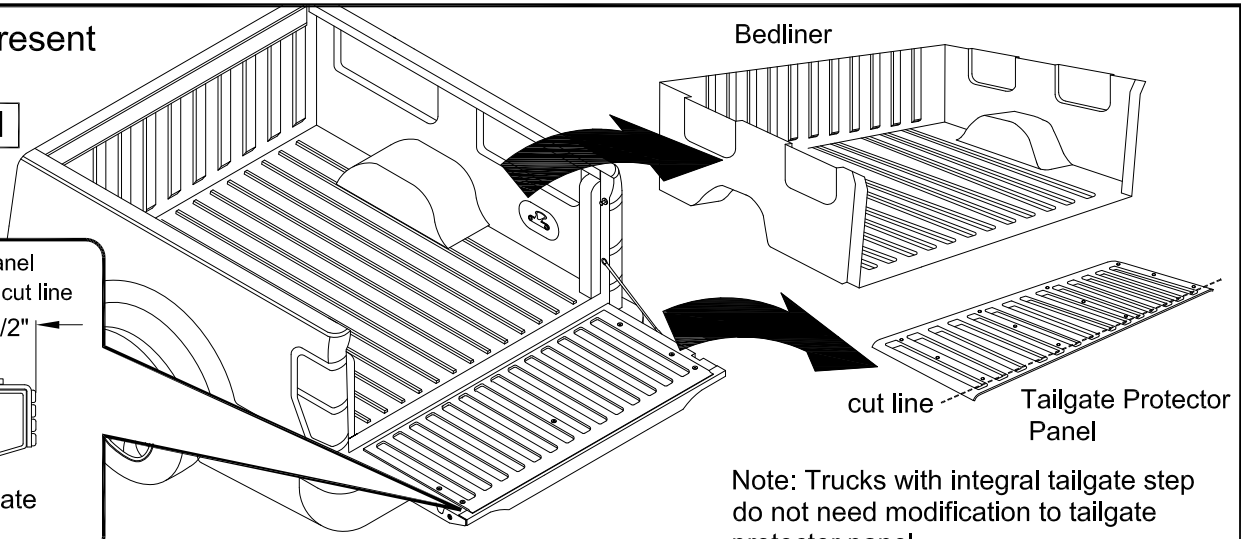
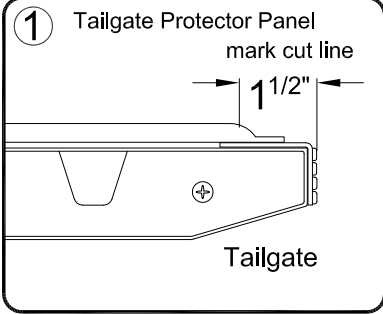


Tools Needed



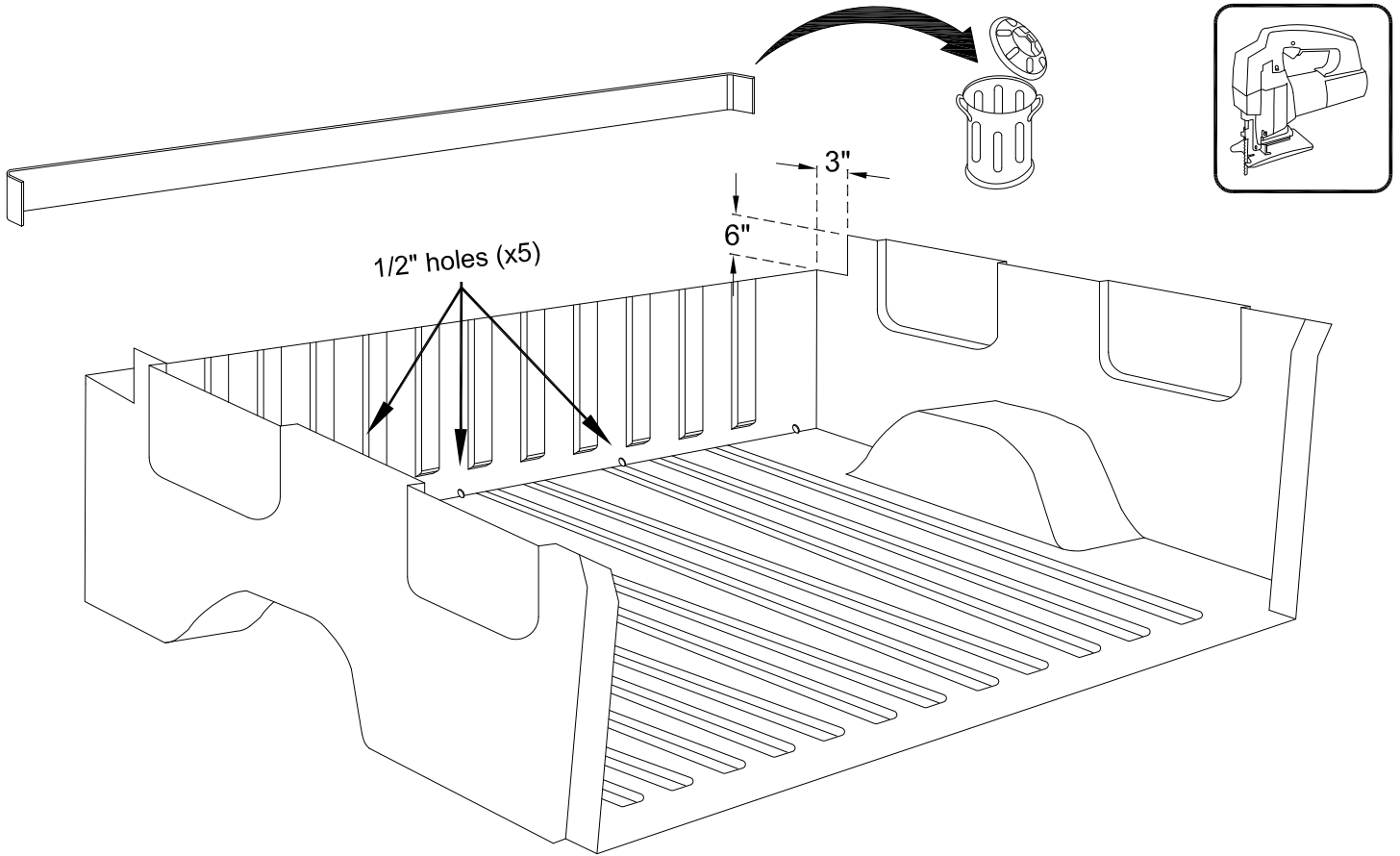
1a

If no bedliner present
proceed to
page 4 - step 1

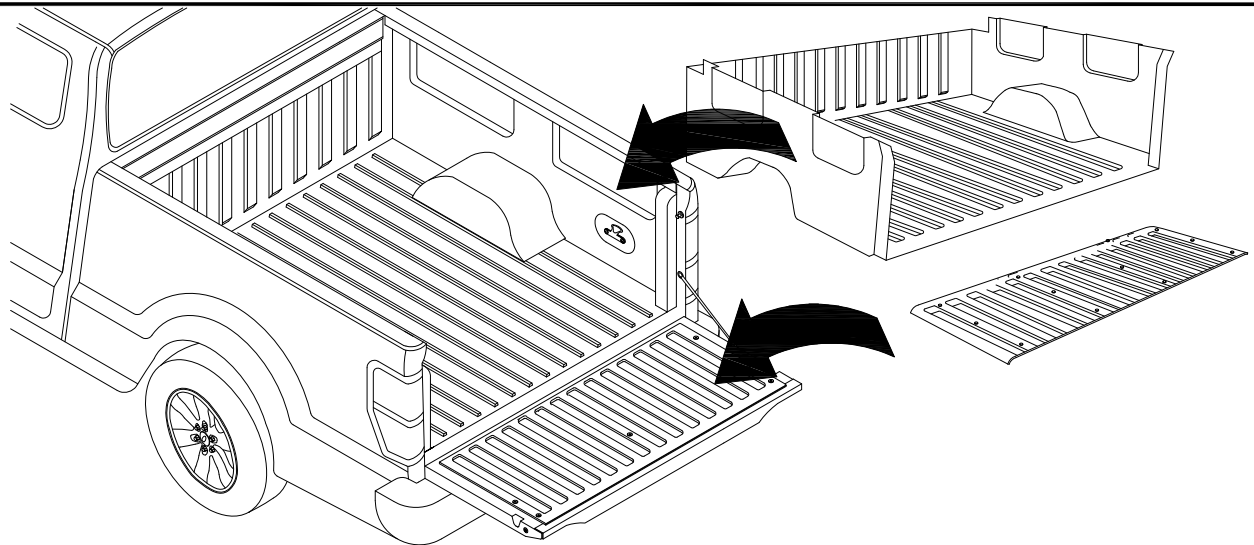


Note: Trucks with integral tailgate step do not need modification to tailgate protector panel.

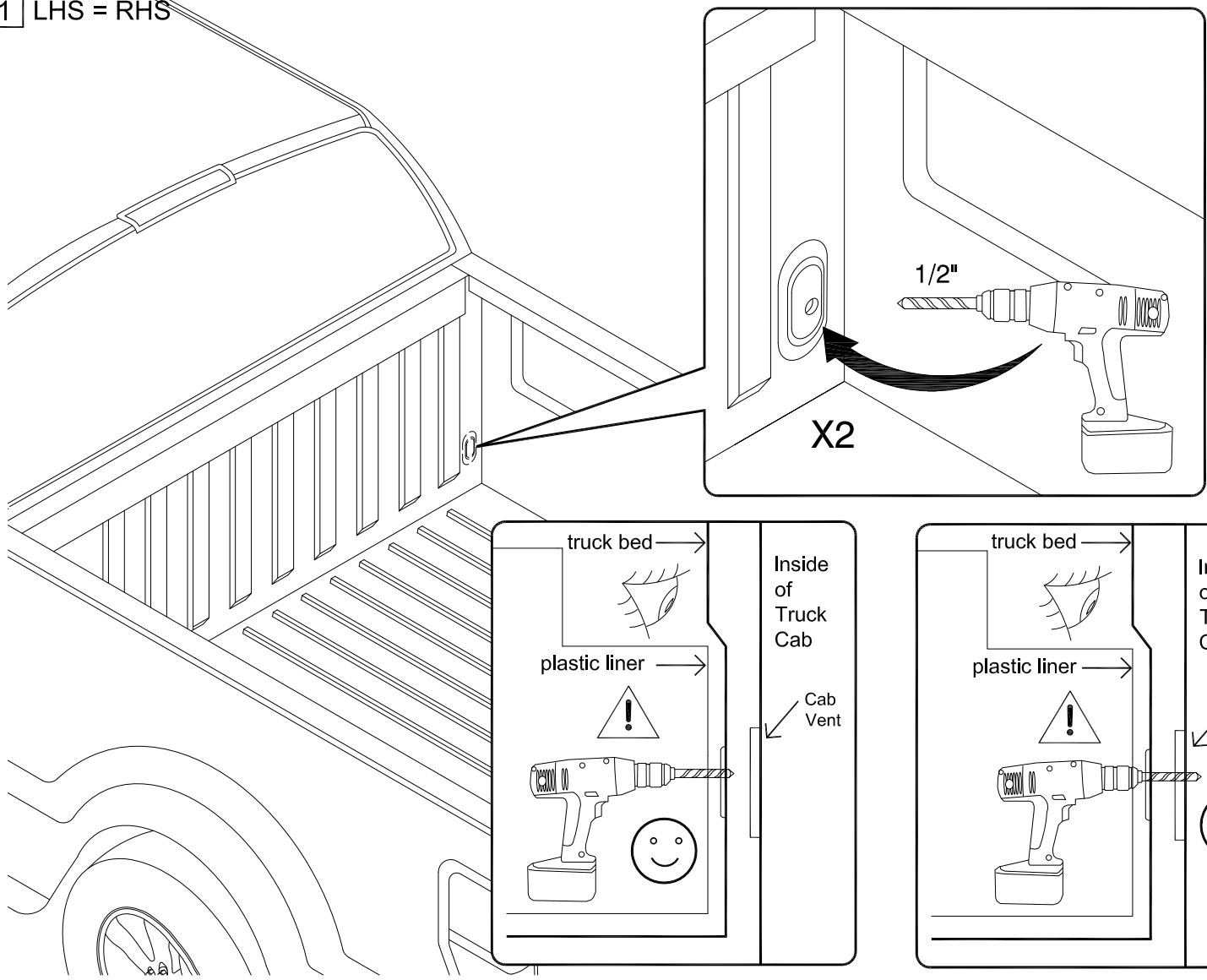
1b



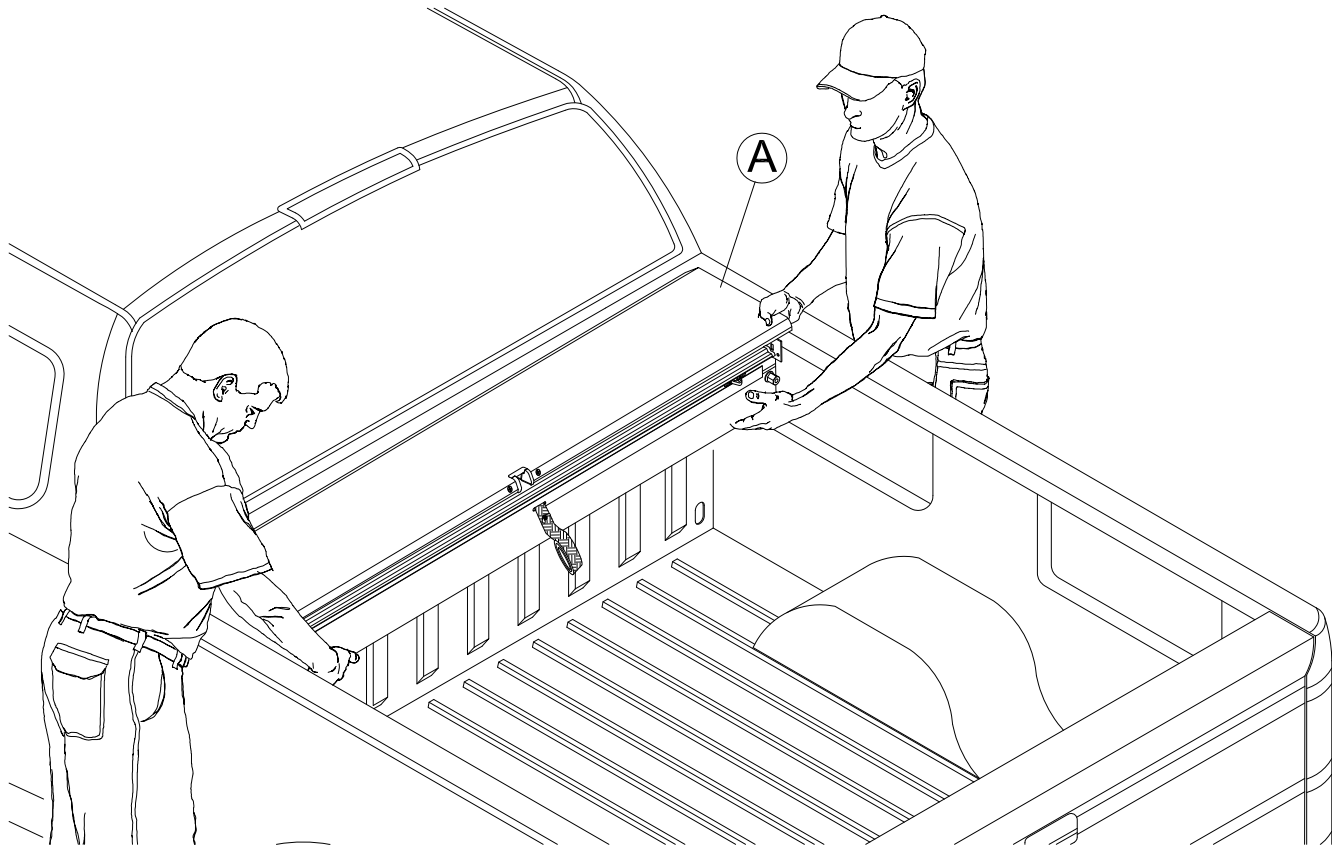
1c



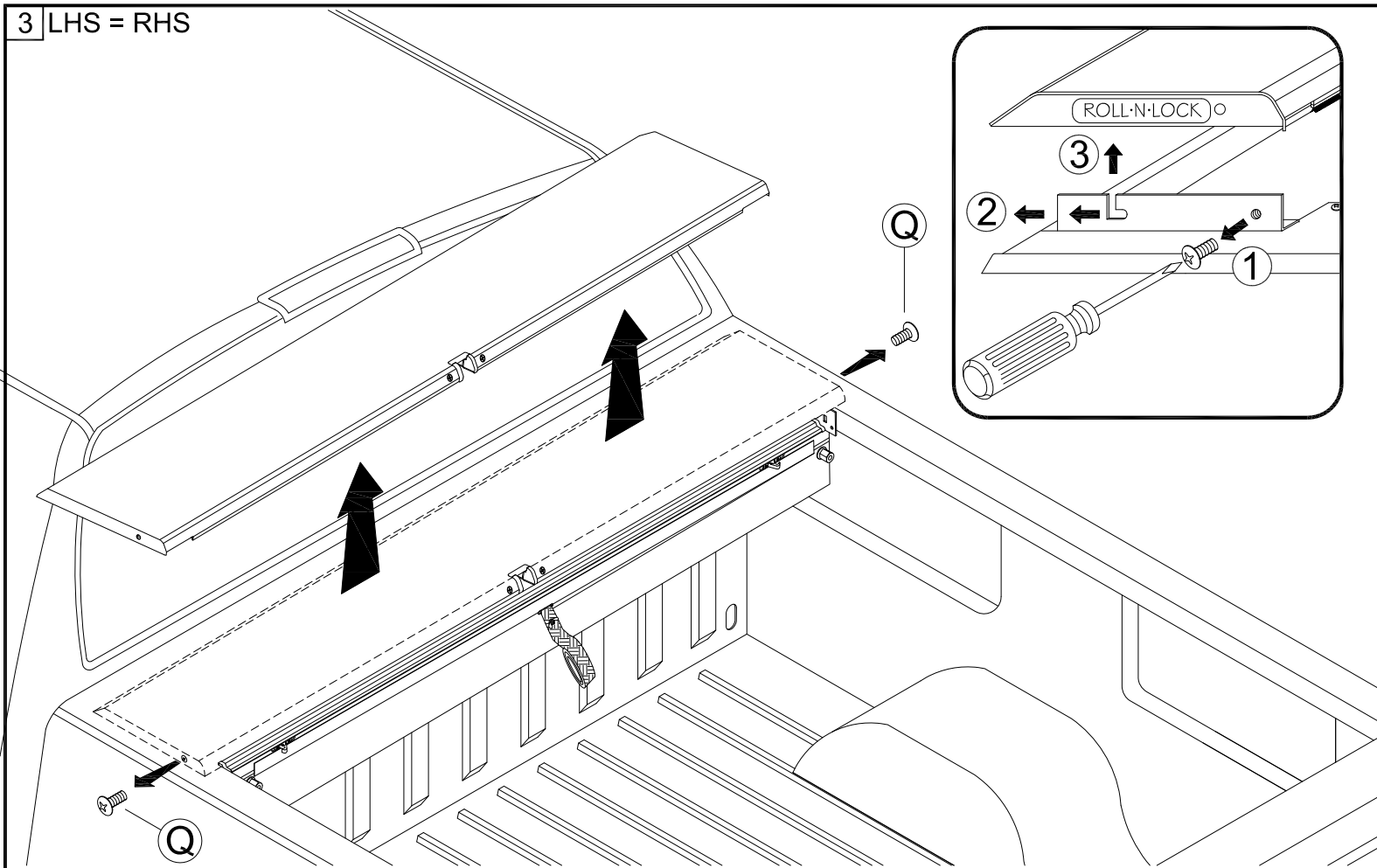
1 LHS = RHS



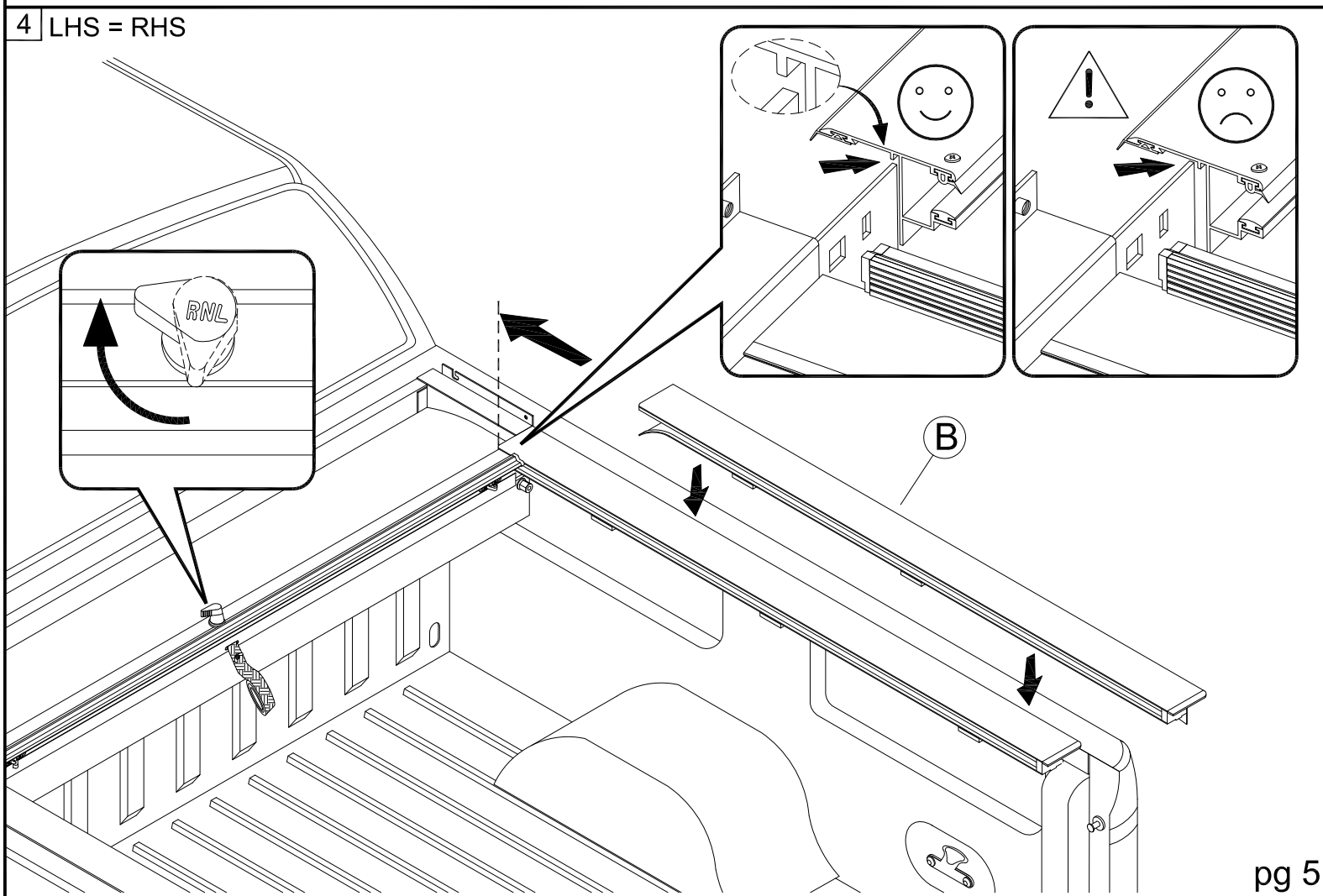
2



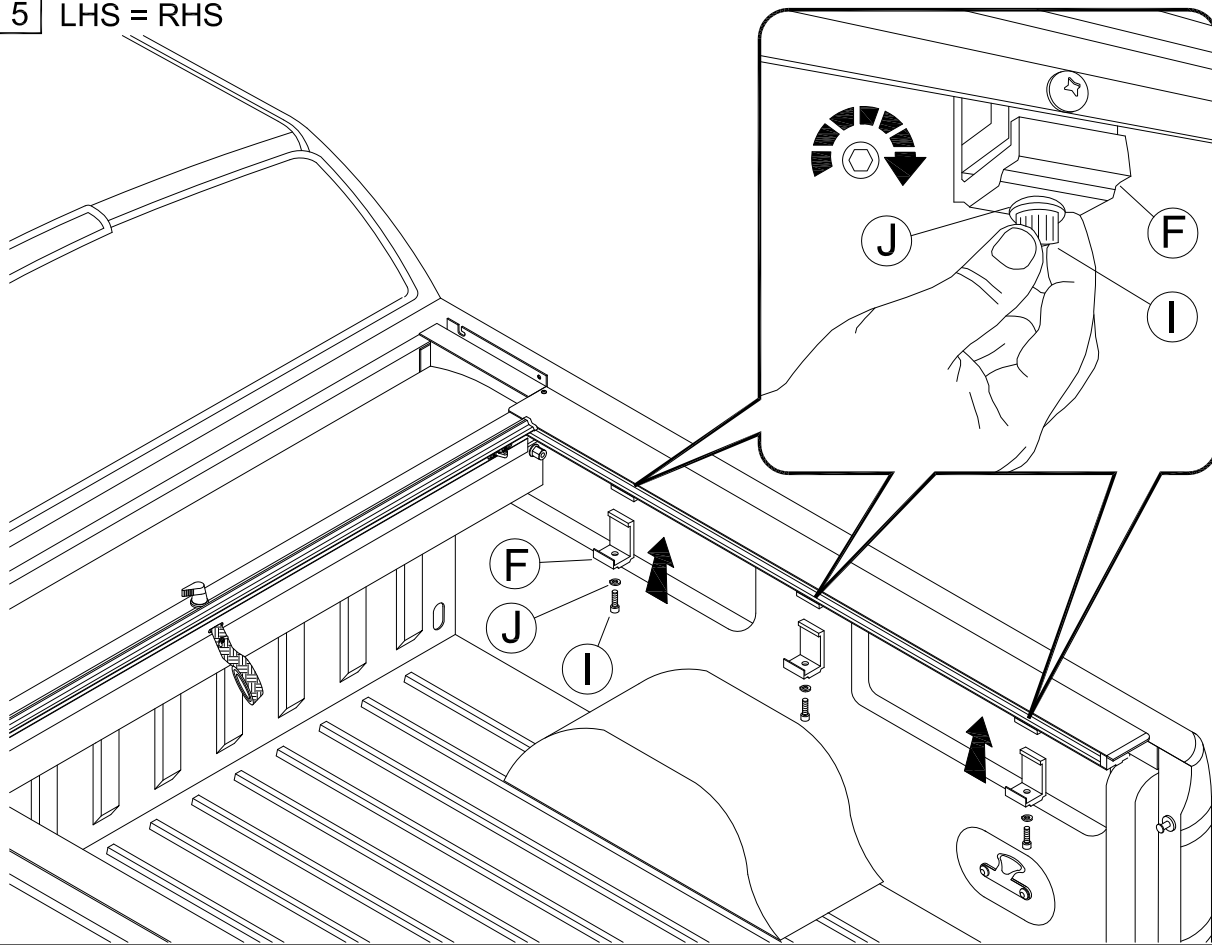
3 LHS = RHS



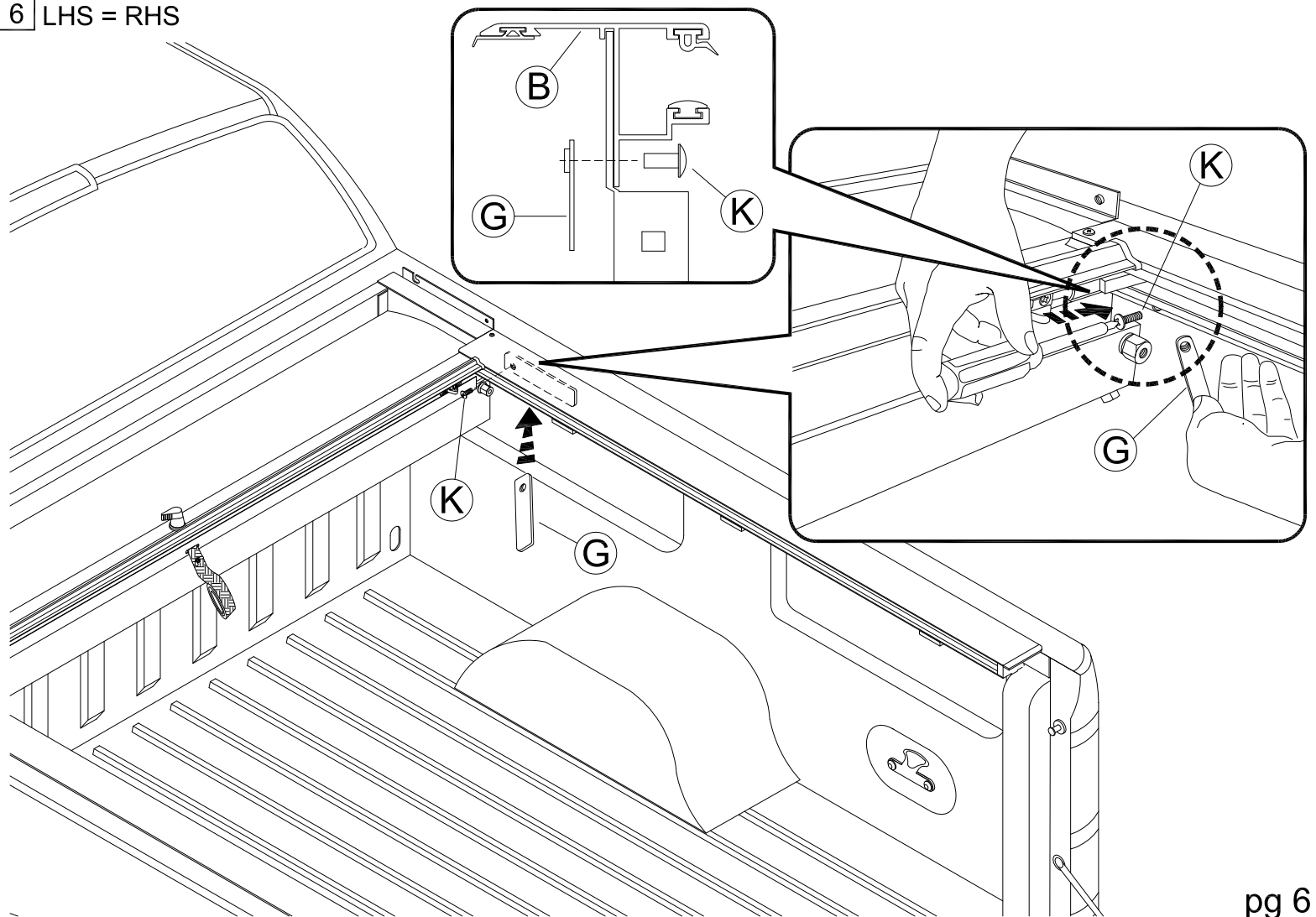
4 LHS = RHS



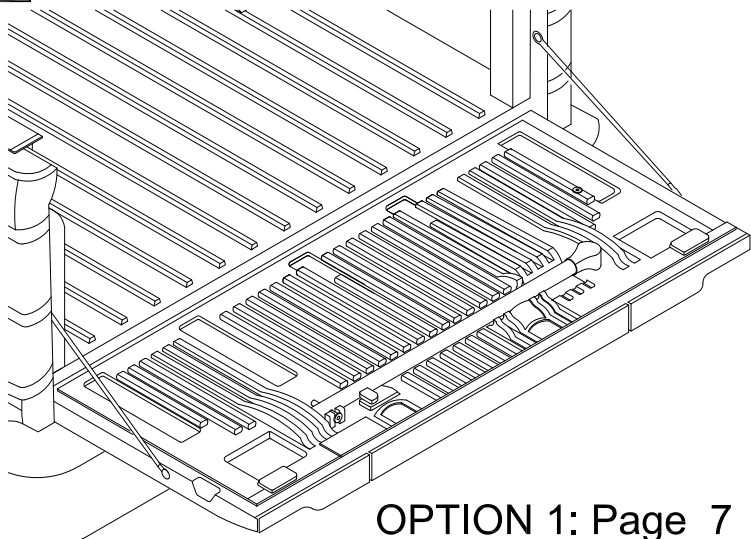
5 LHS = RHS



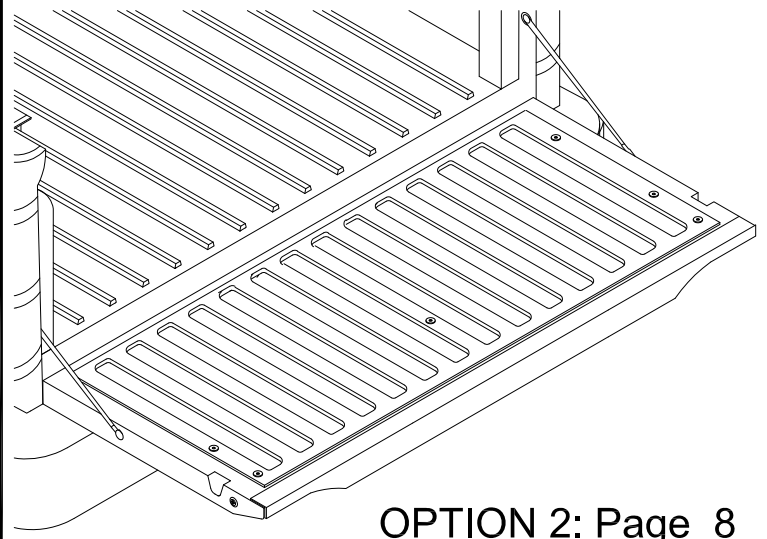
6 LHS = RHS



7

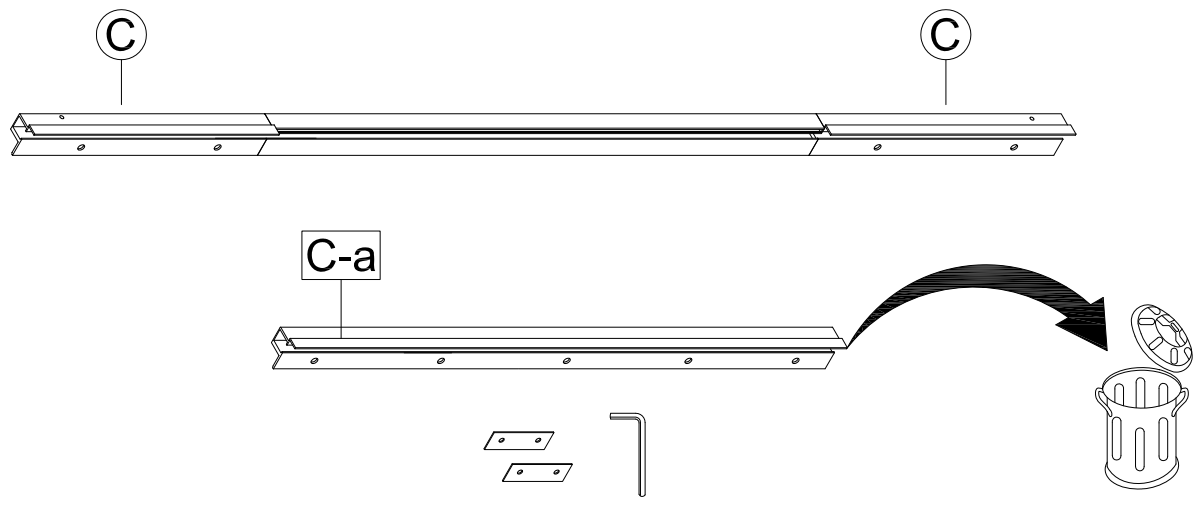


OPTION 1: Page 7
With integral tailgate step

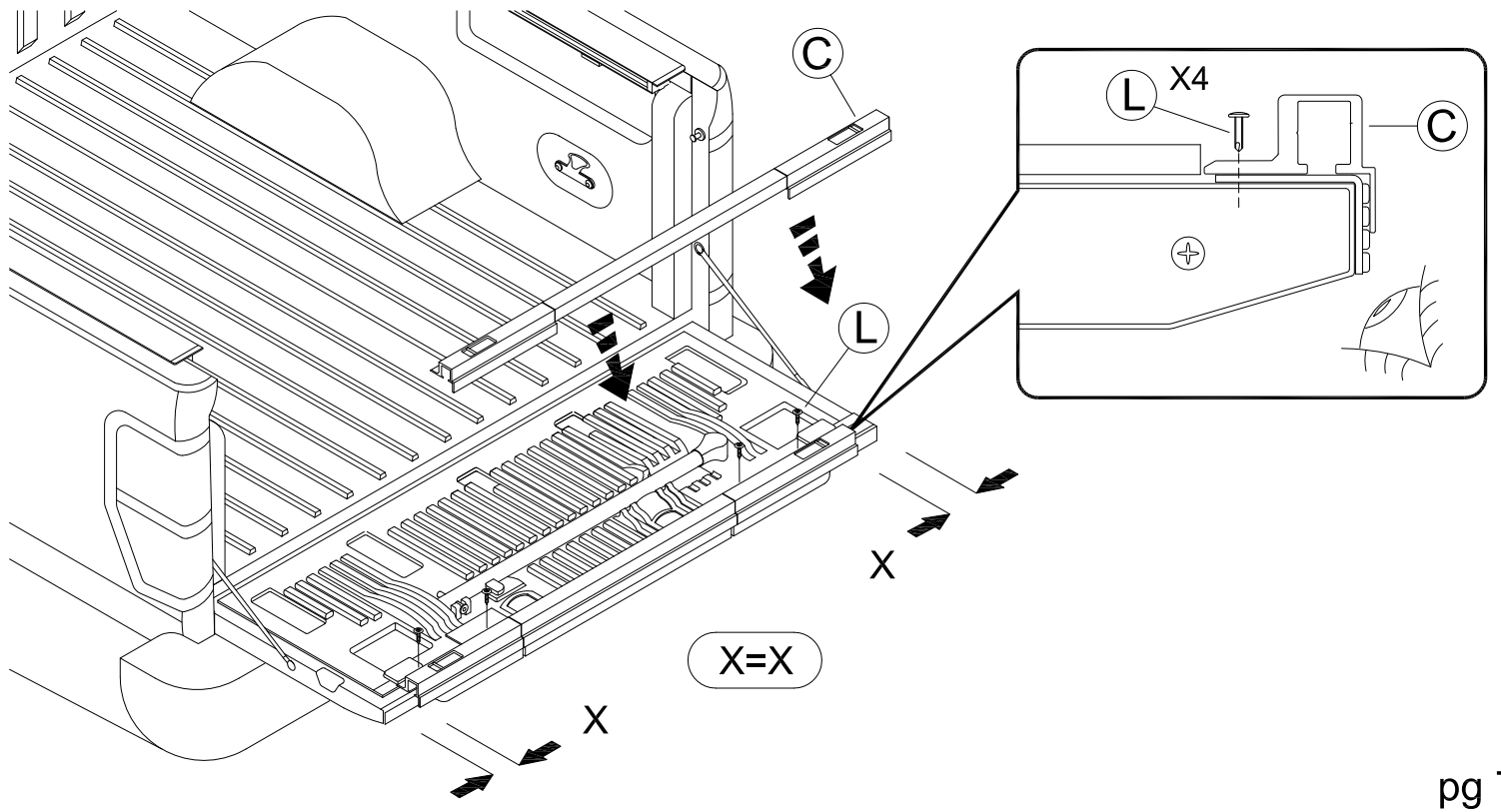


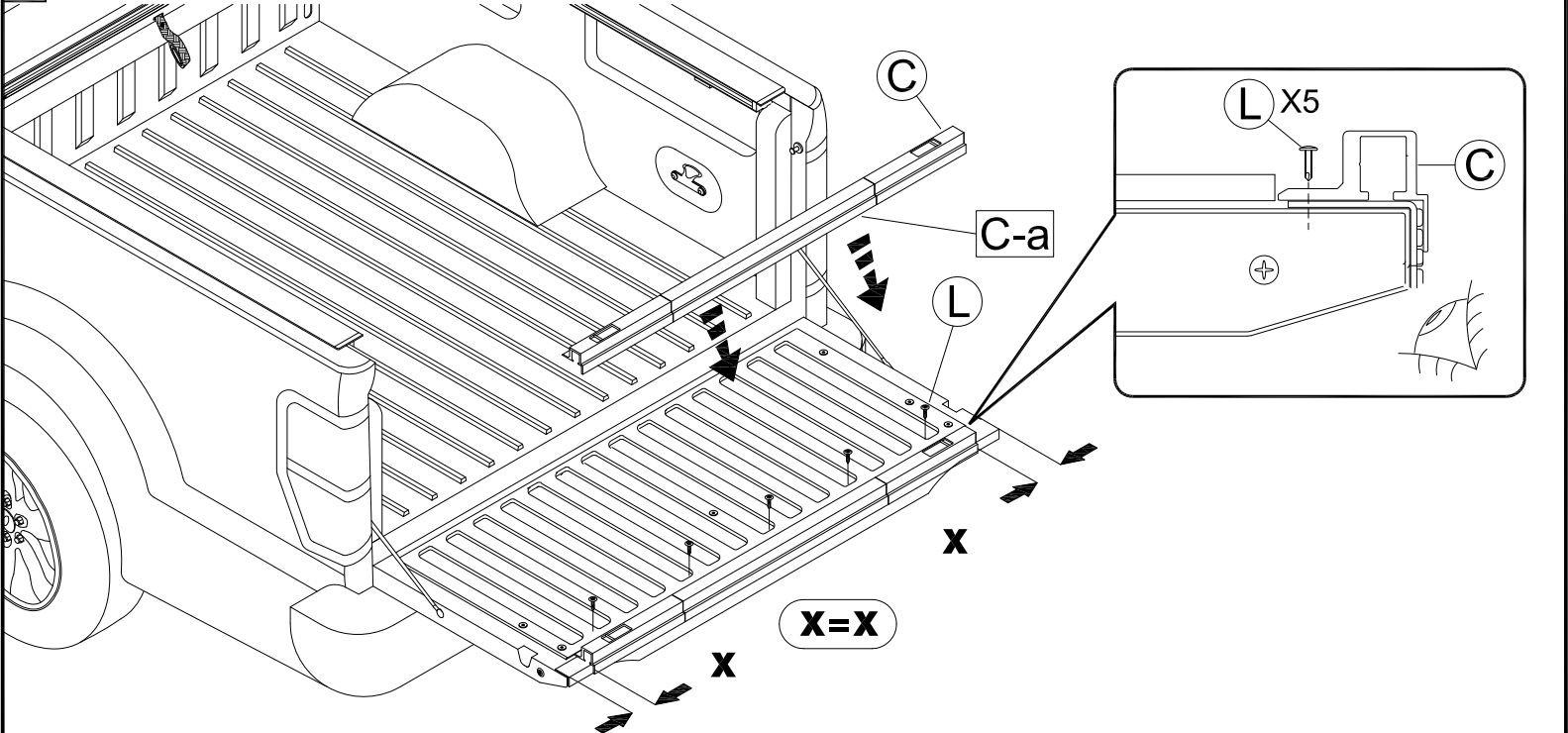
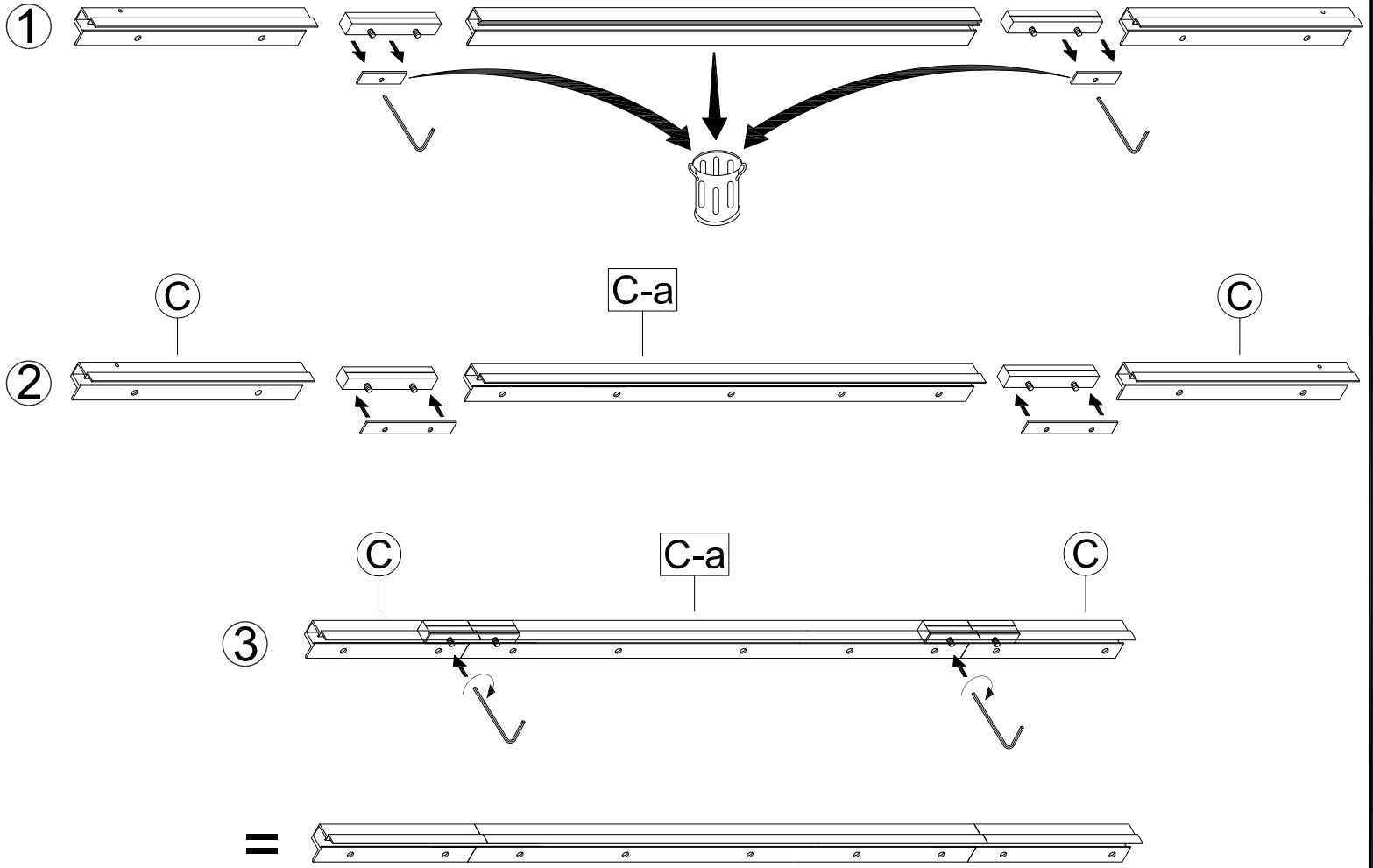
OPTION 2: Page 8
No integral tailgate step

8

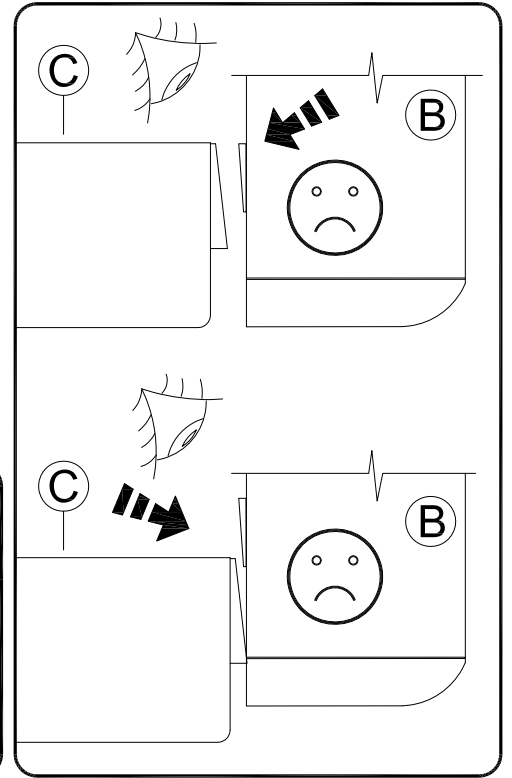
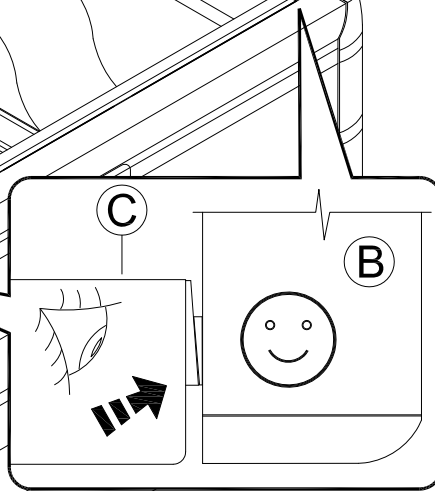
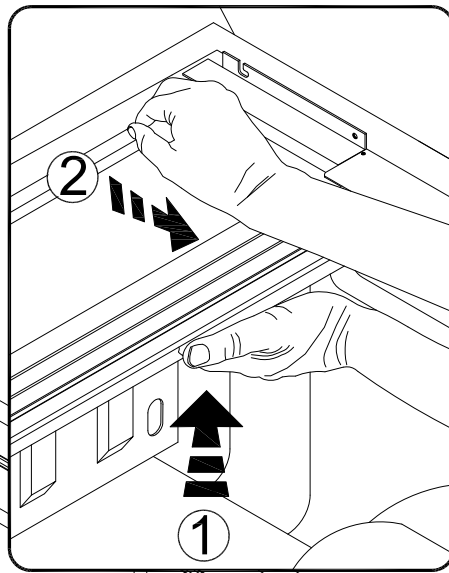
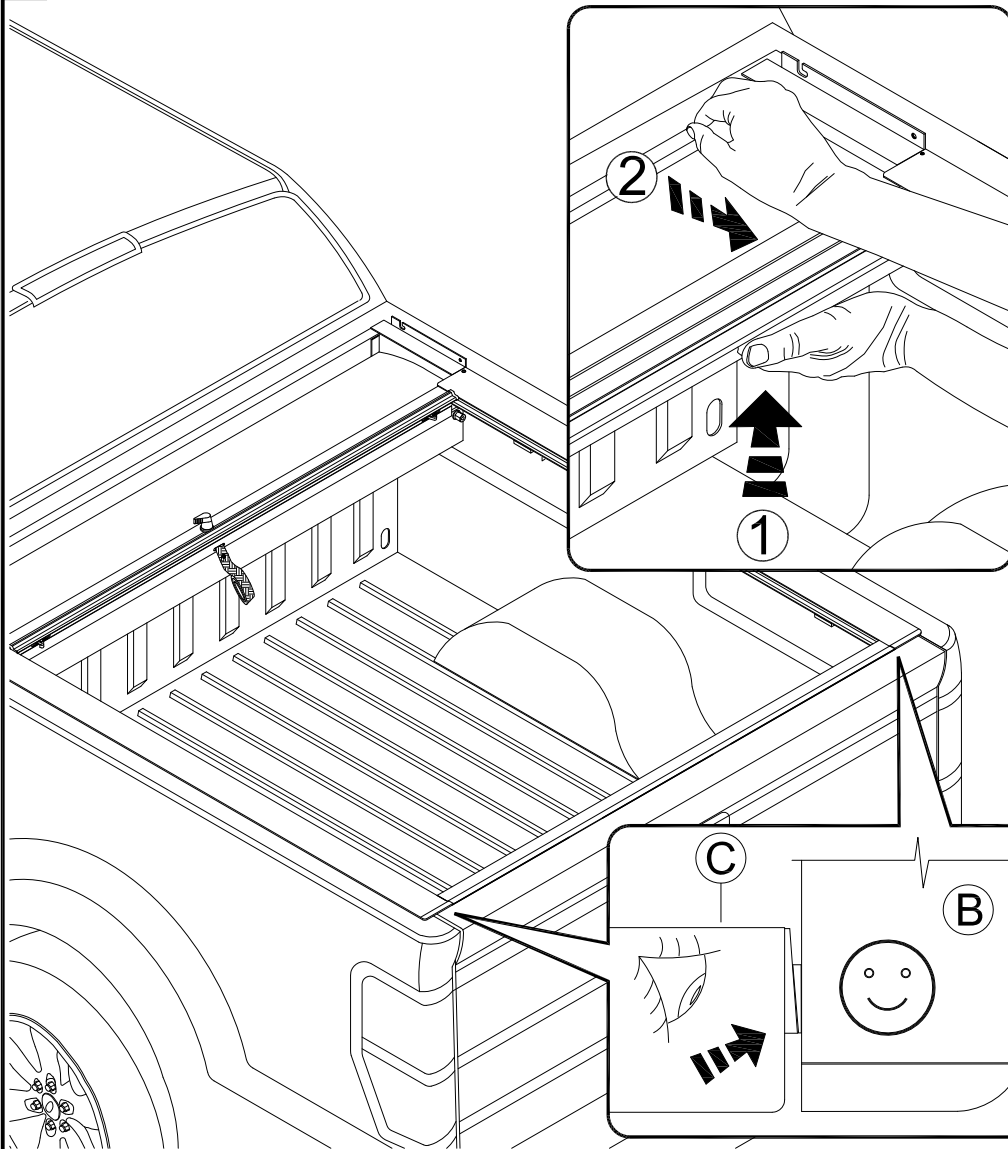


9

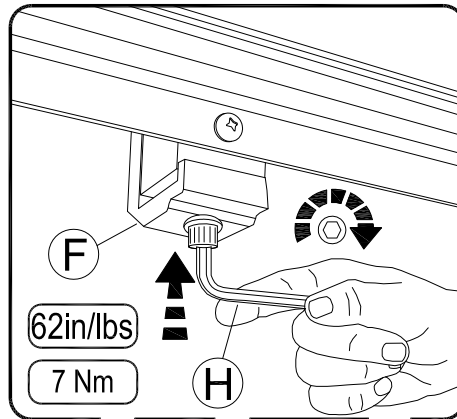
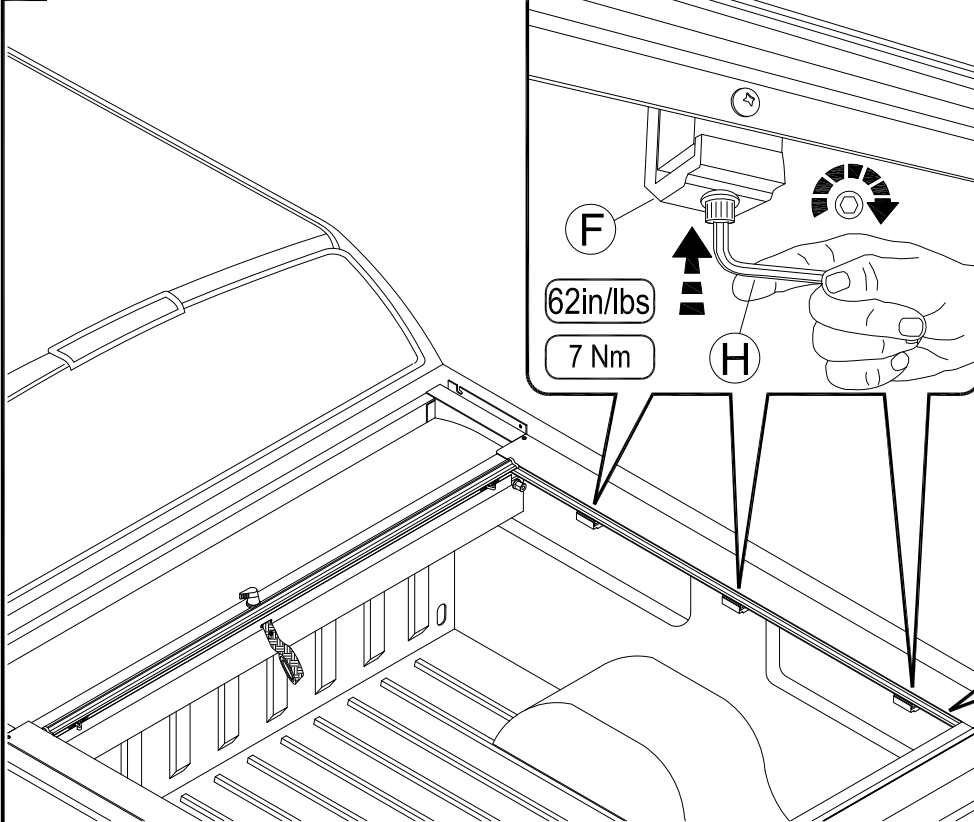




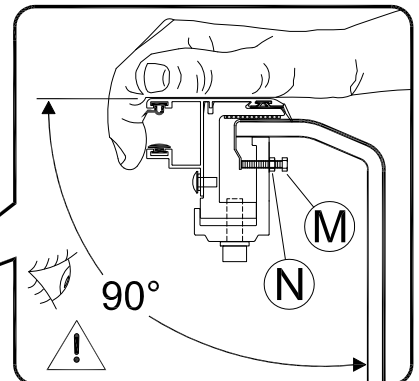
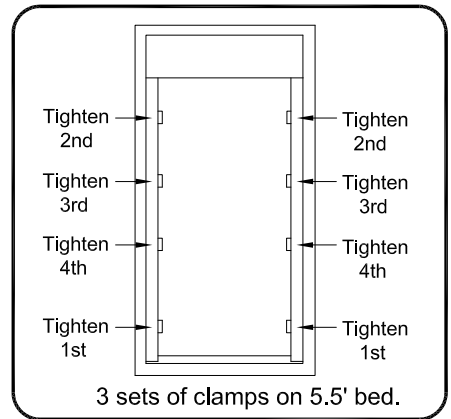
12 LHS = RHS



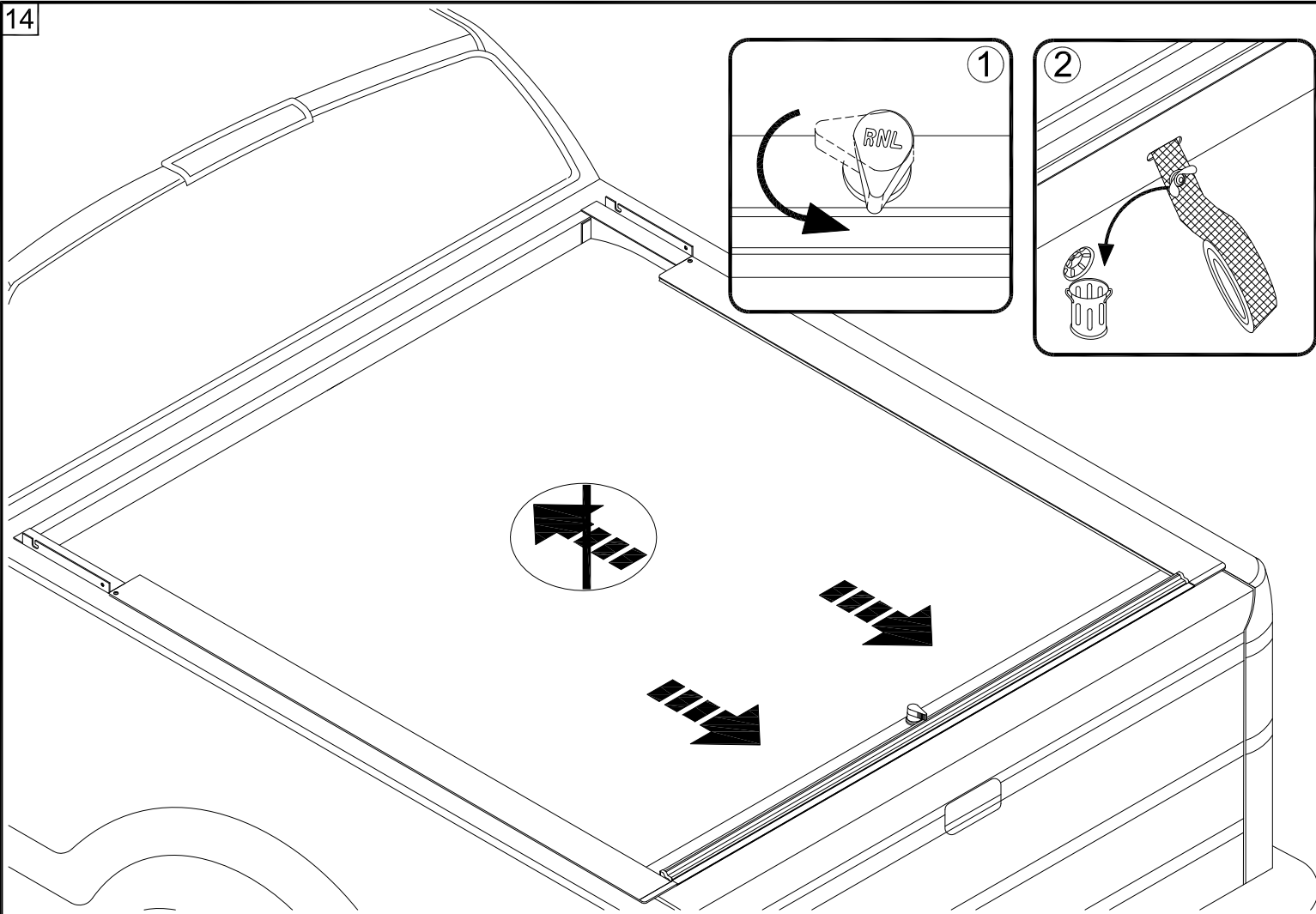
13 LHS = RHS



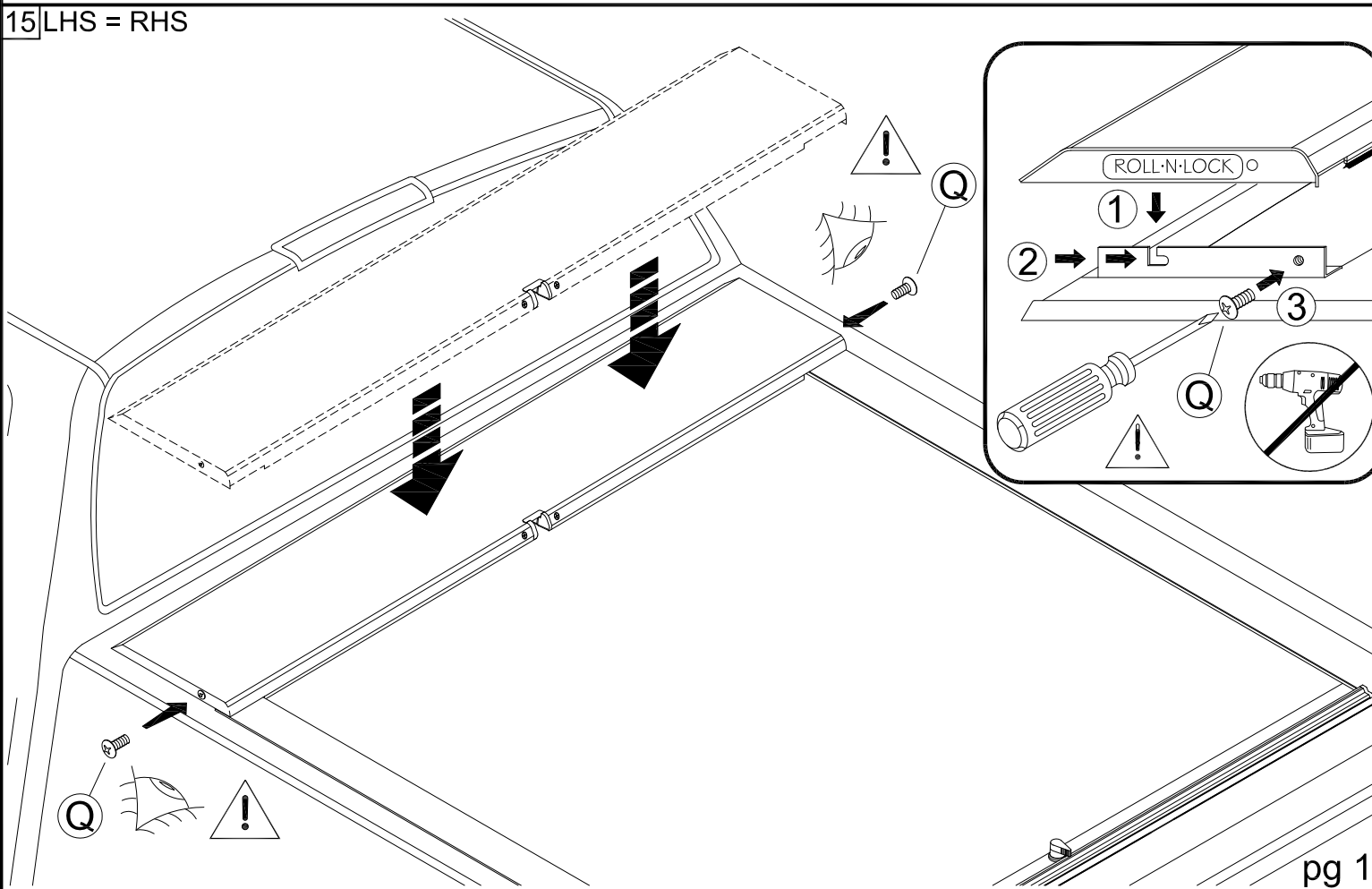
H



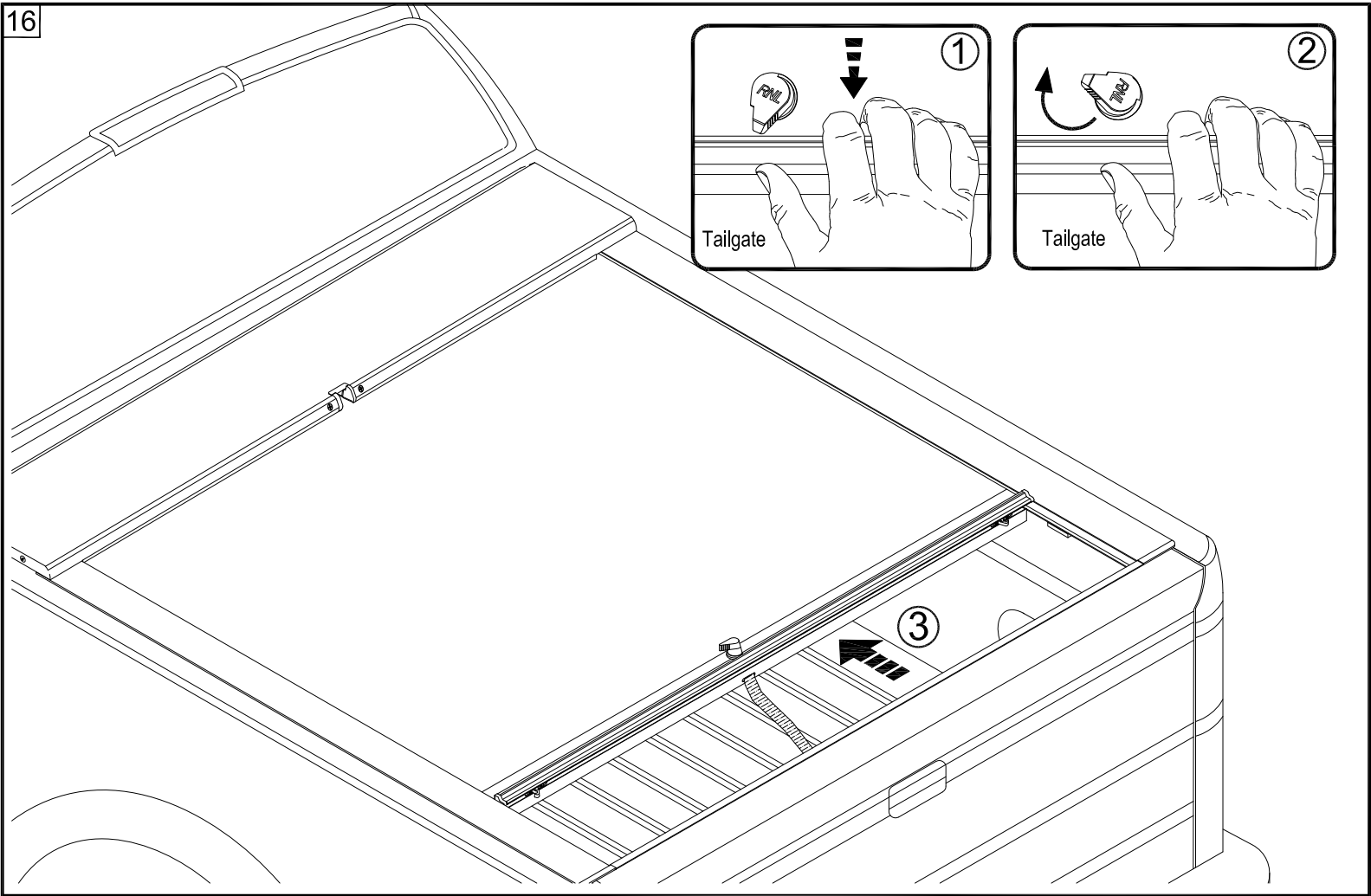
14



15 LHS = RHS



16



17 LHS = RHS

