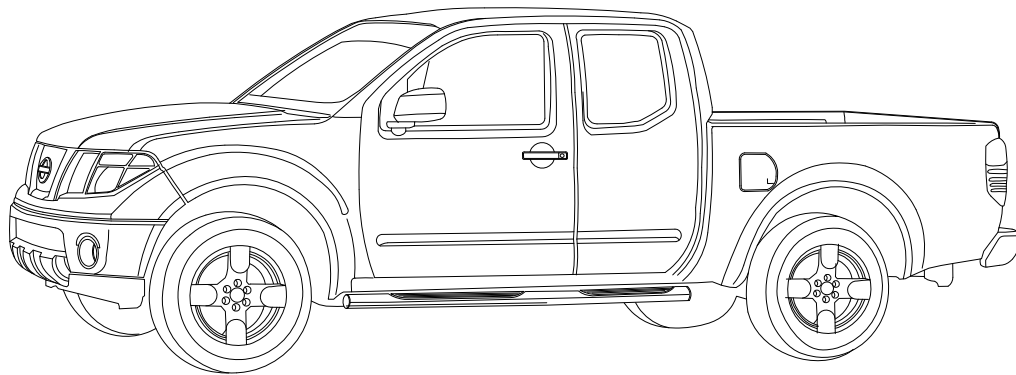
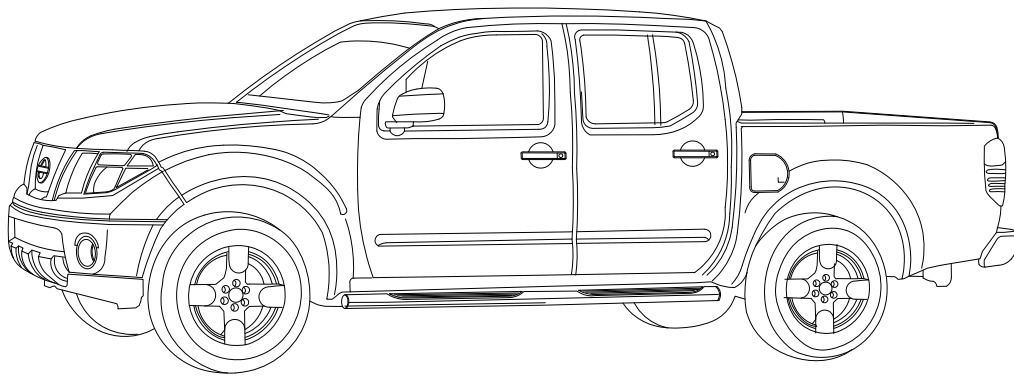




Installation Guide

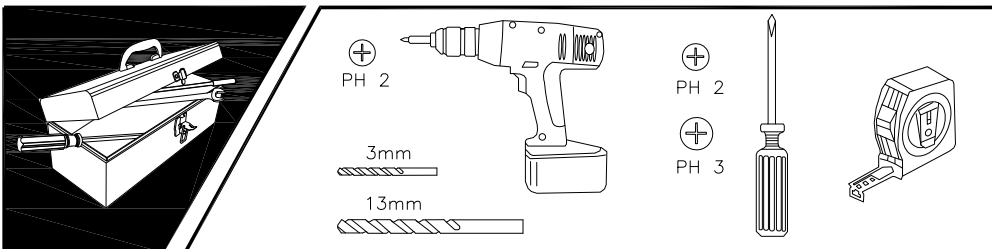
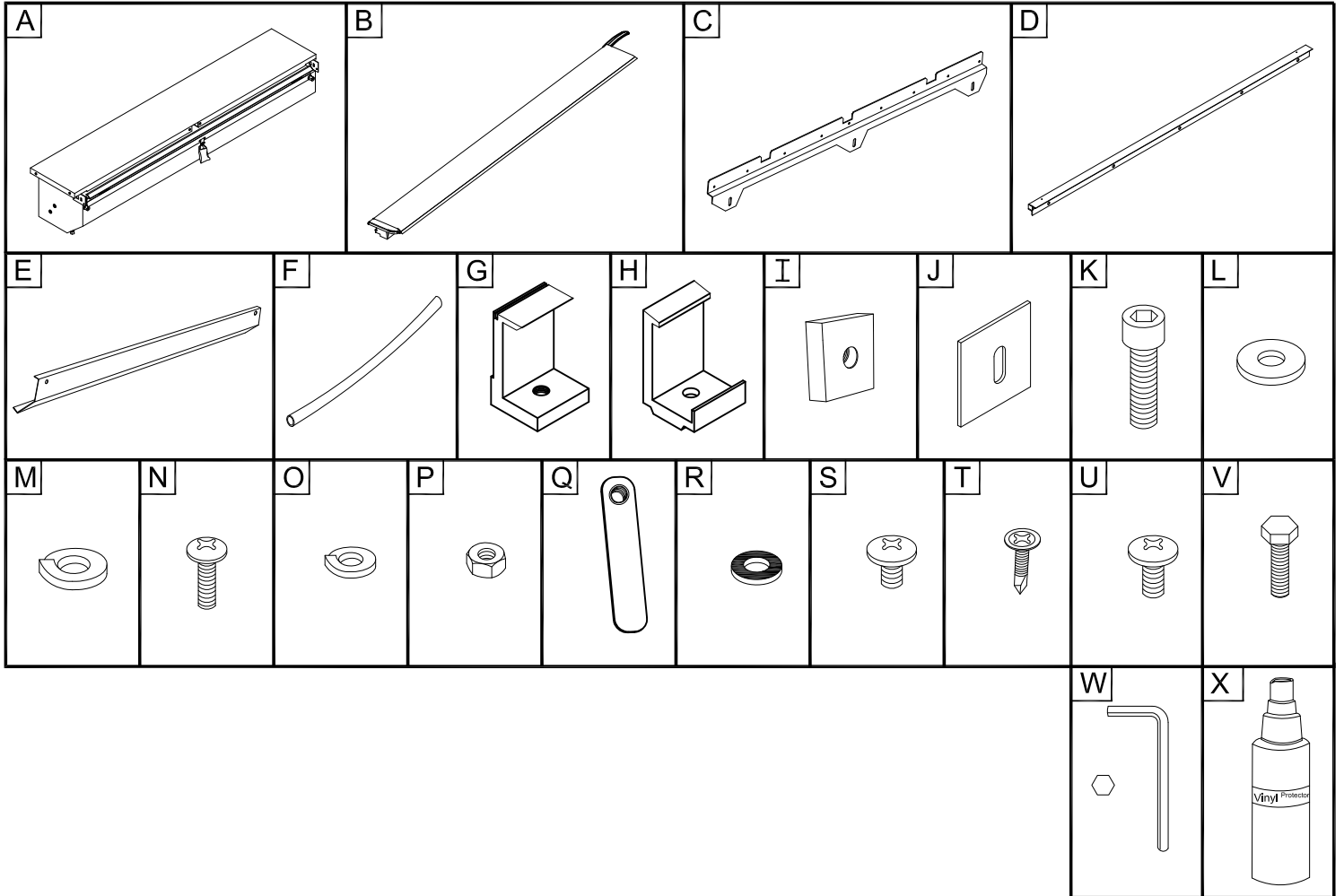
Nissan Frontier



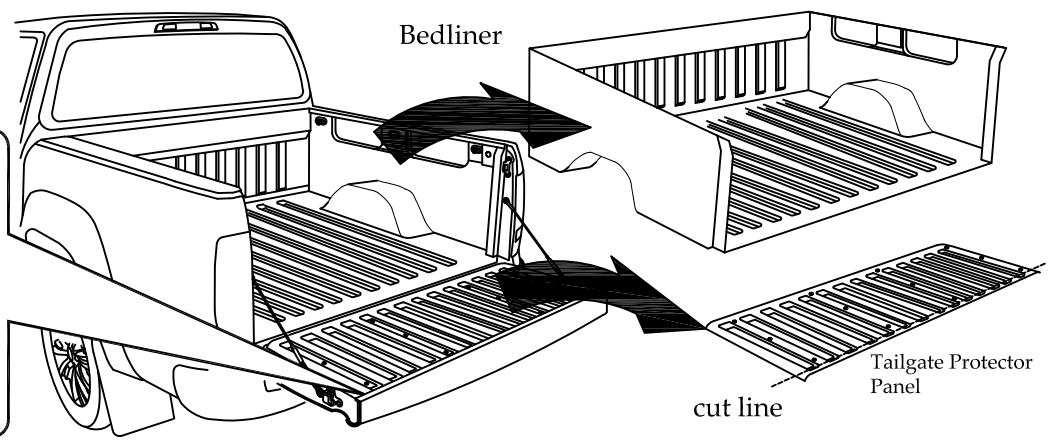
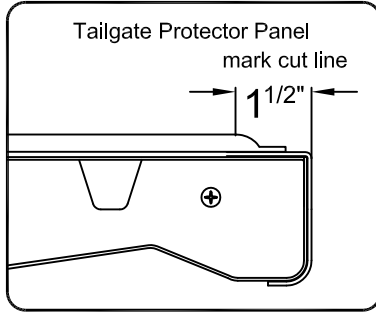
Product Code
802 - 807

PARTS LIST

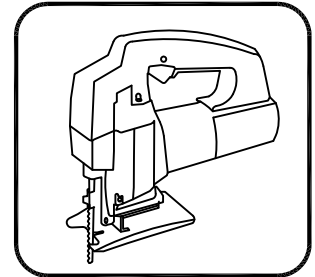
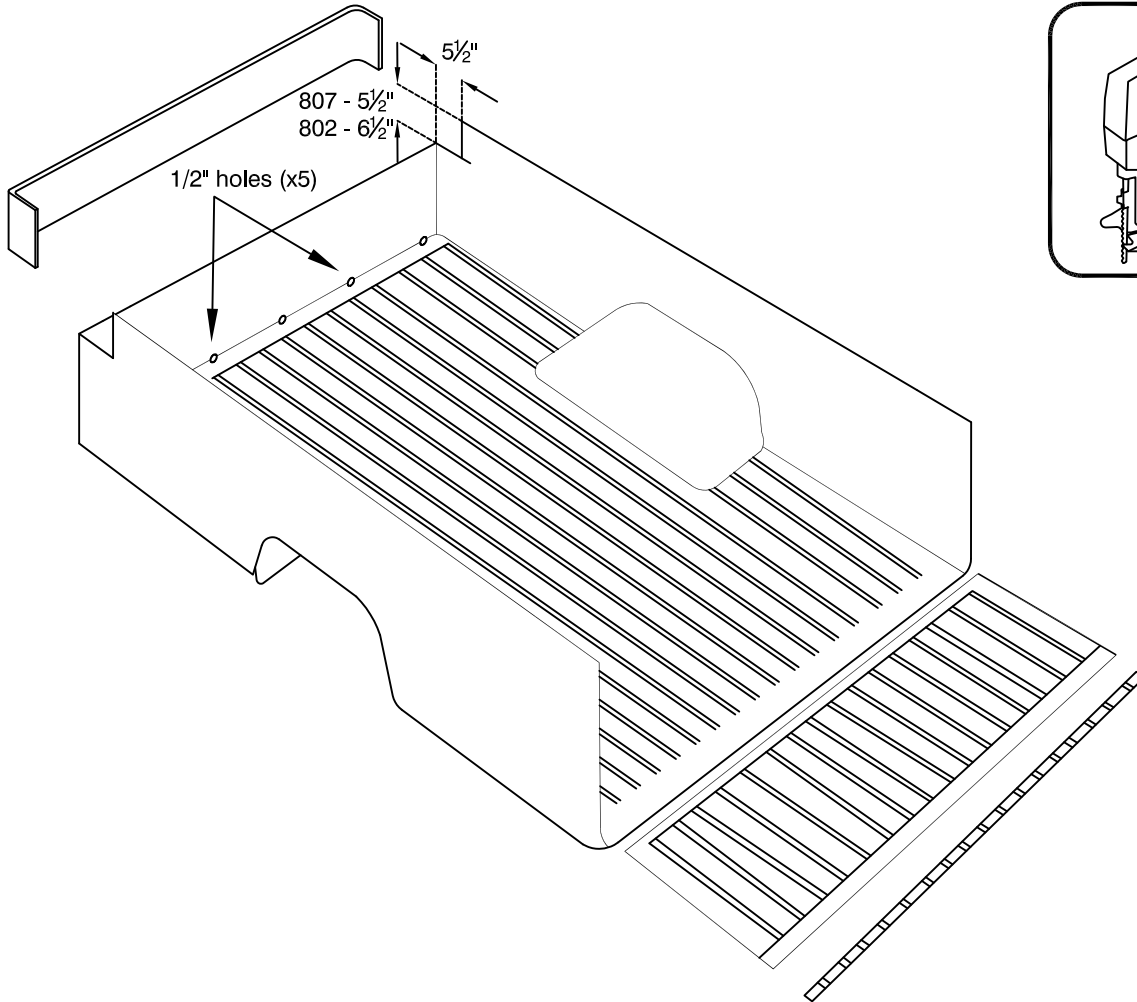
Item	Part Name	Qty.	Item	Part Name	Qty.	Item	Part Name	Qty.
A	Housing	1	I	Threaded Block	6	Q	Cargo Nut	2
B	Track	2	J	Shim	6	R	Black Rubber Washer	4
C	Mounting Flange	2	K	5/16" Socket Cap Screw	6	S	1/4"-20 x 3/8" Screw	4
D	Tailgate Extrusion	1	L	5/16" Flat Washer	6	T	#8 Tek Screw	5
E	Cargo Shield	1	M	5/16" Lock Washer	6	U	Lid Screw	2
F	Drain Tube	2	N	#10-24 Screw	8	V	1/4"-20 x 1" Bolt	2
G	SD Track Clamp	6	O	1/4" Lock Washer	6	W	Allen Wrench	1
H	#3 Bed Clamp	6	P	#10-24 Nut	6	X	Vinyl Protector	1



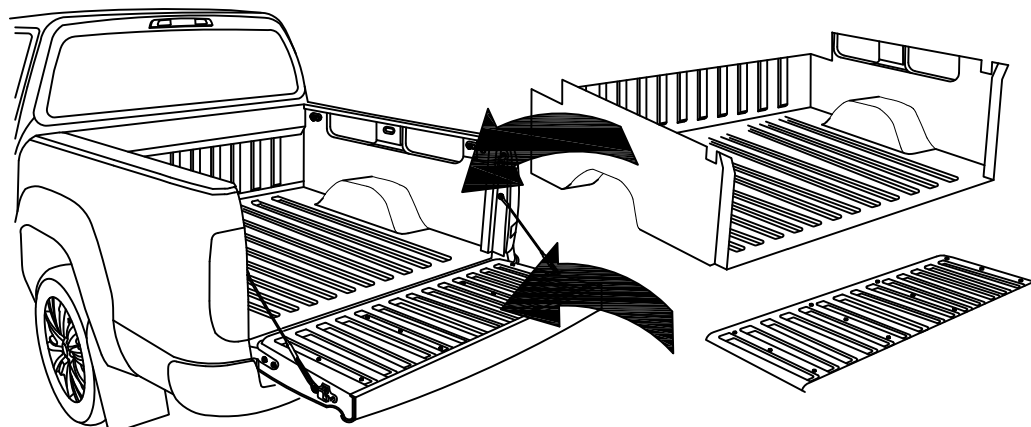
1a If no bedliner present
proceed to
page 4




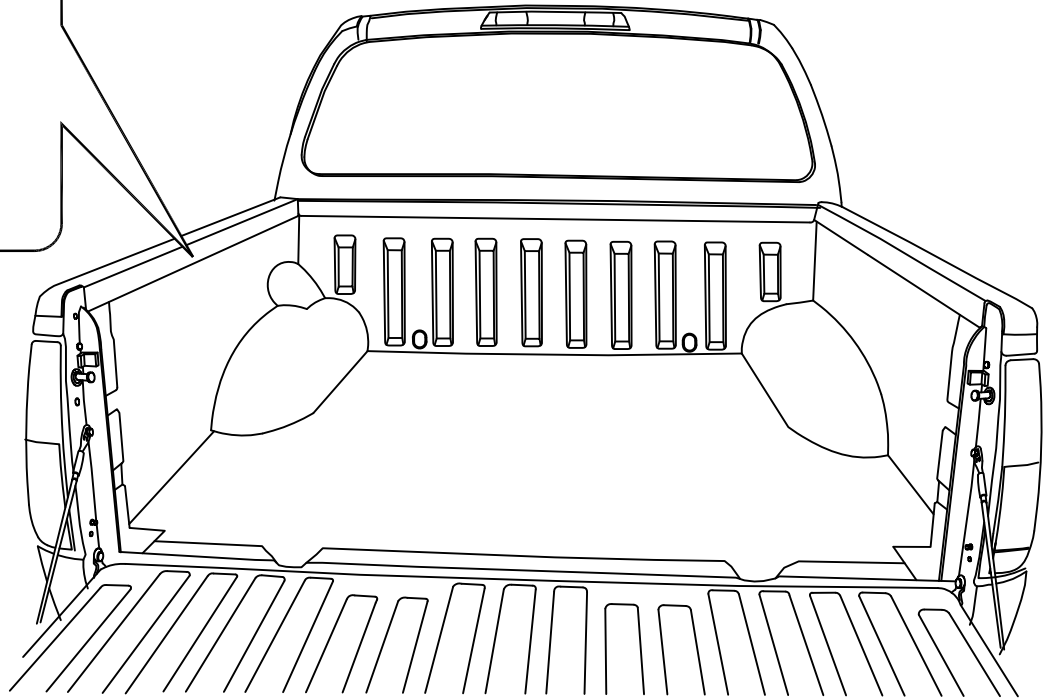
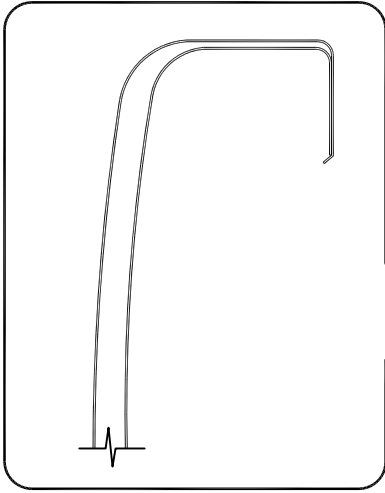
1b




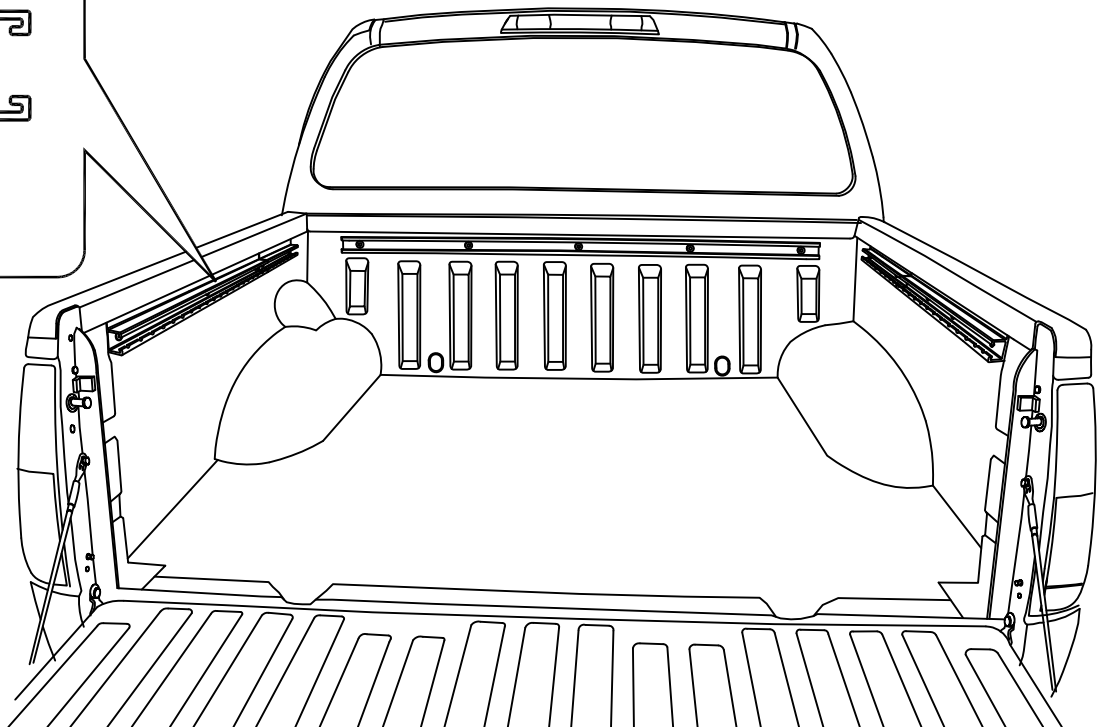
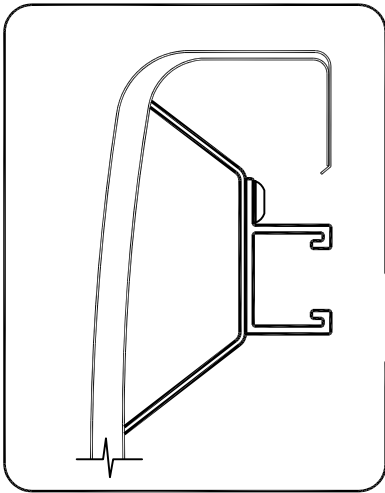
1c



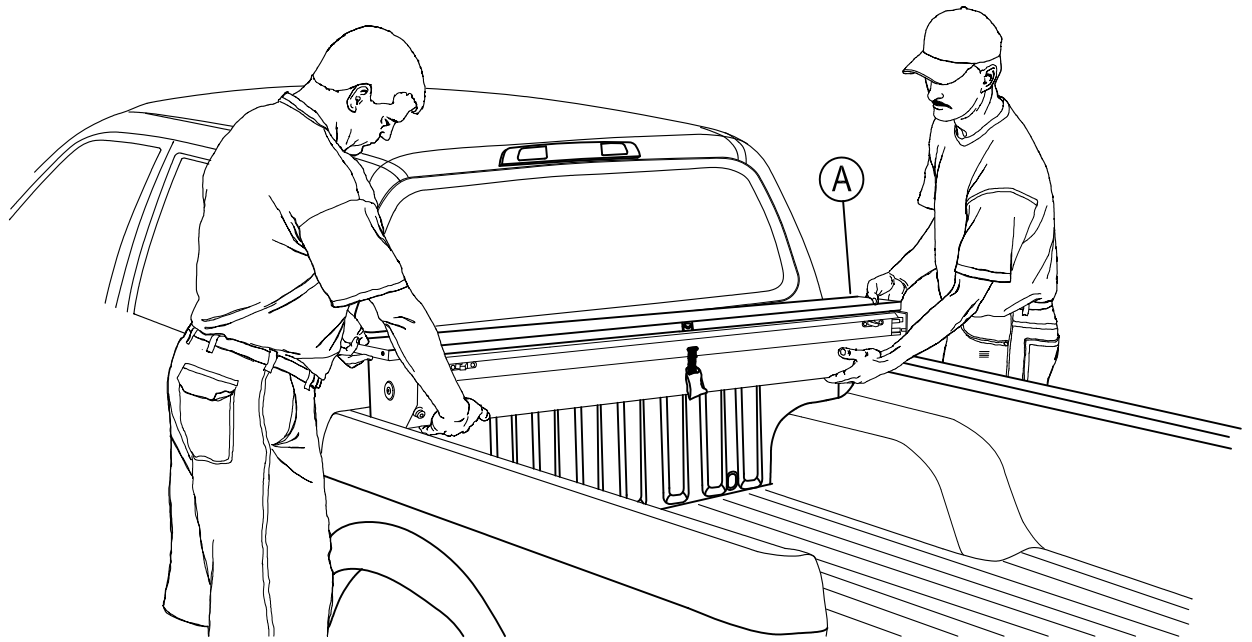
 Pg 5 - 12



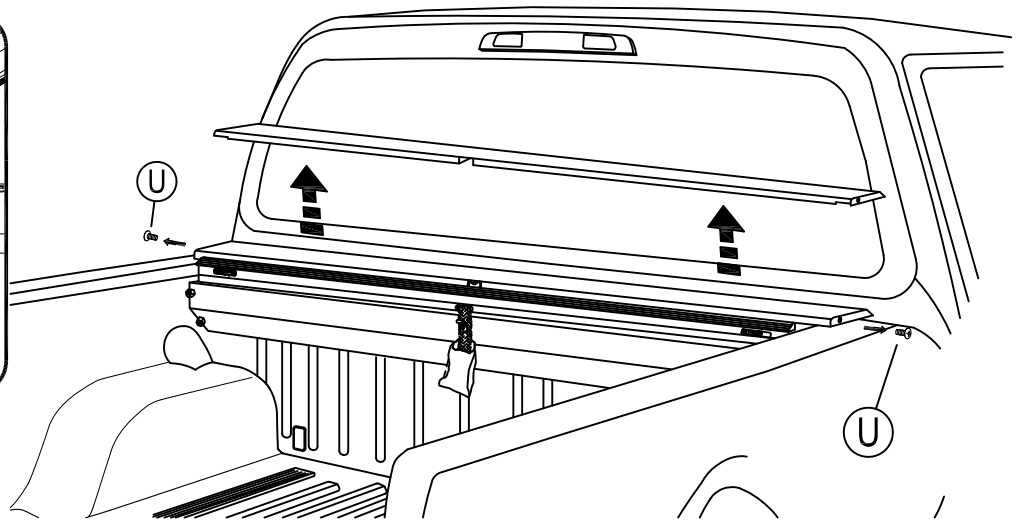
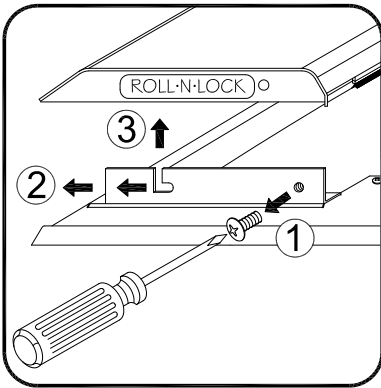
 Pg 13 - 20 **C - CHANNEL**



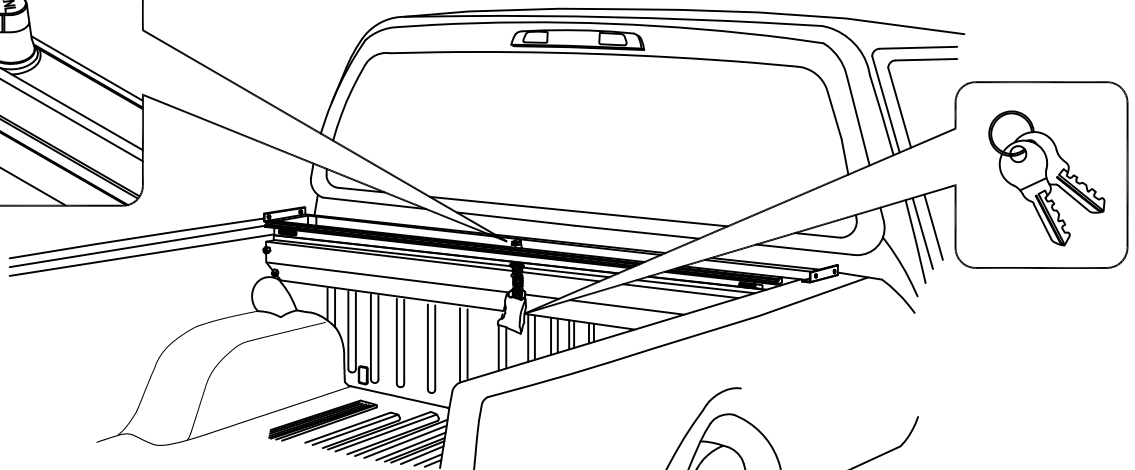
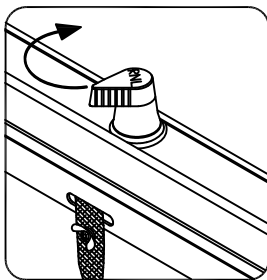
1



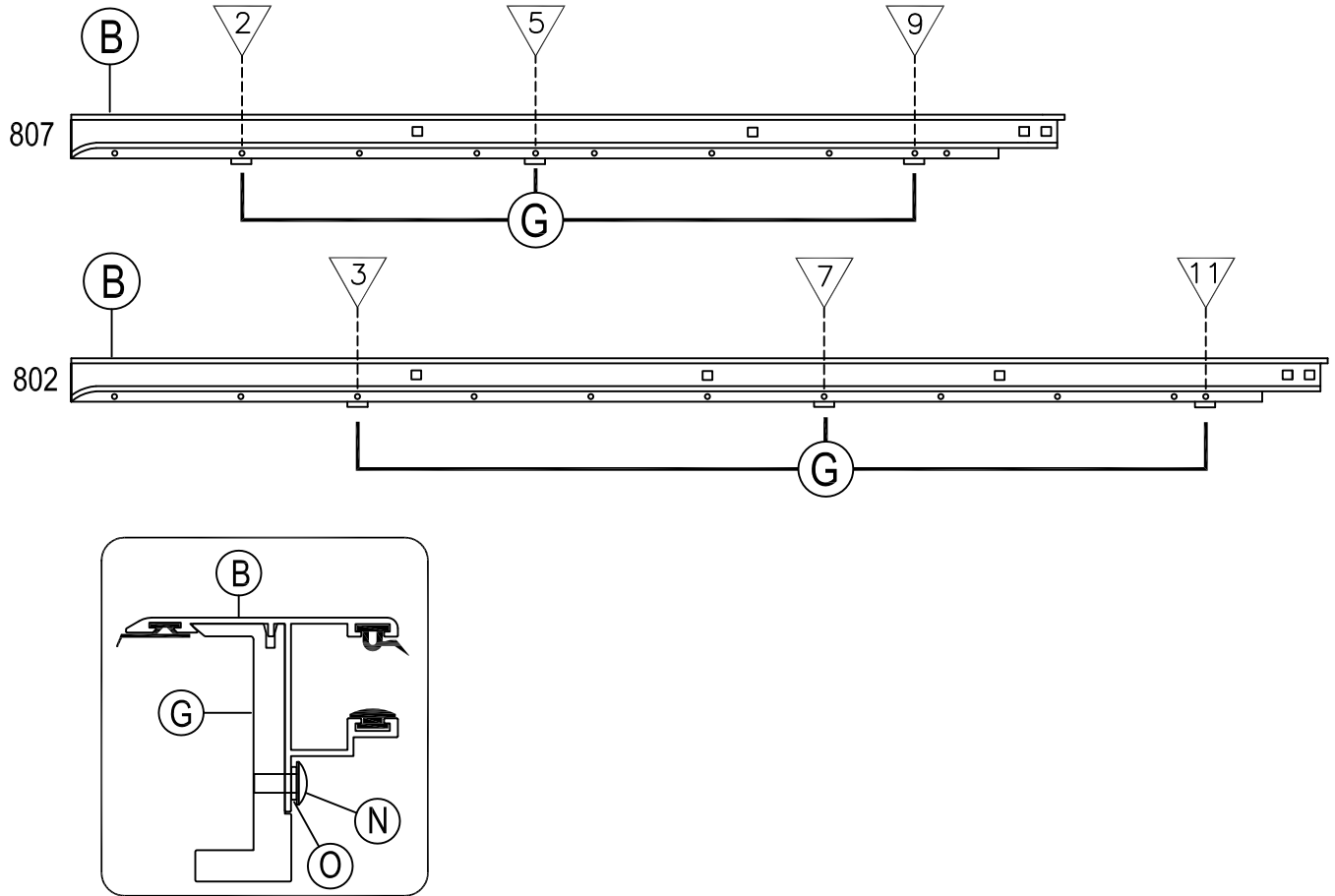
2 LHS = RHS



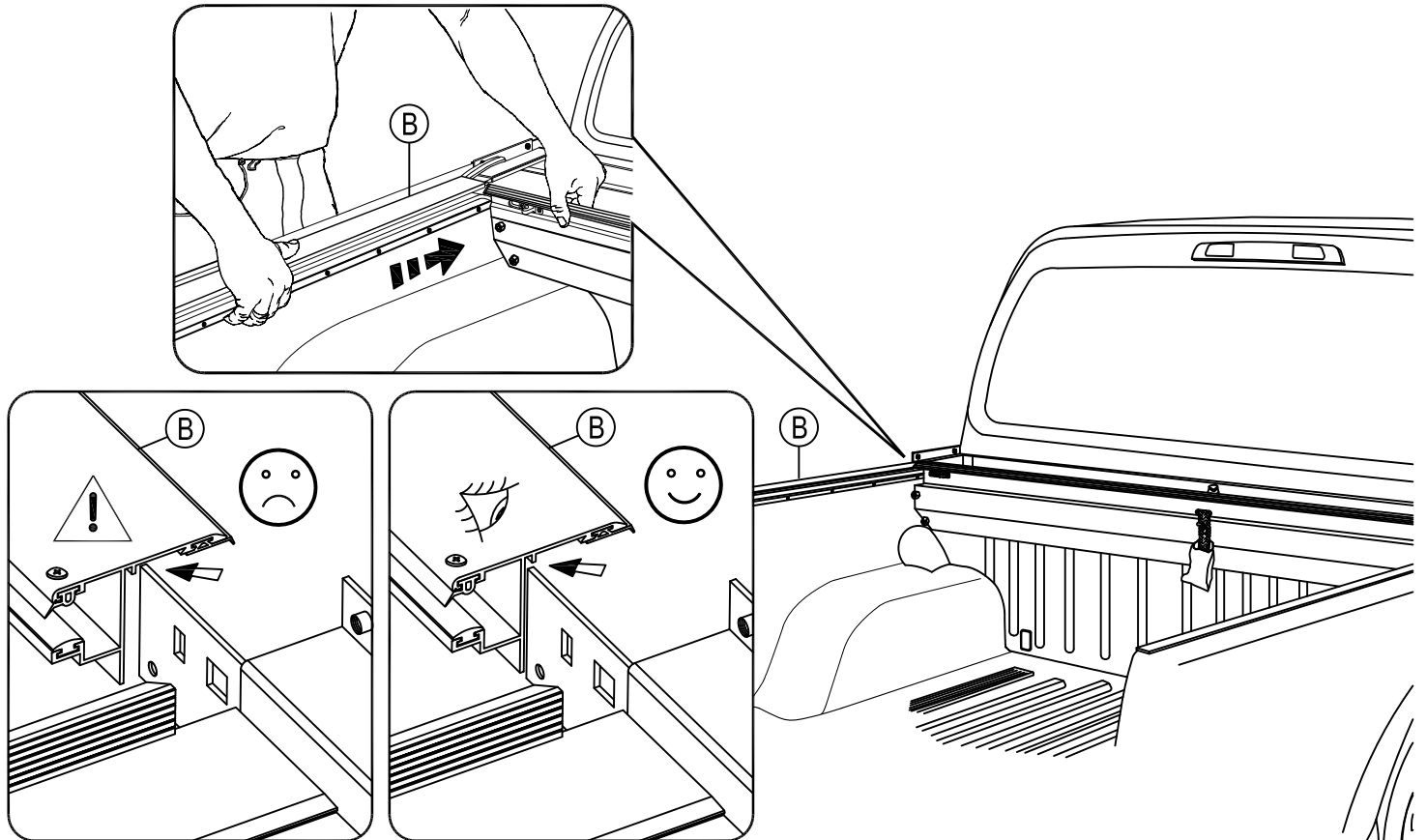
3



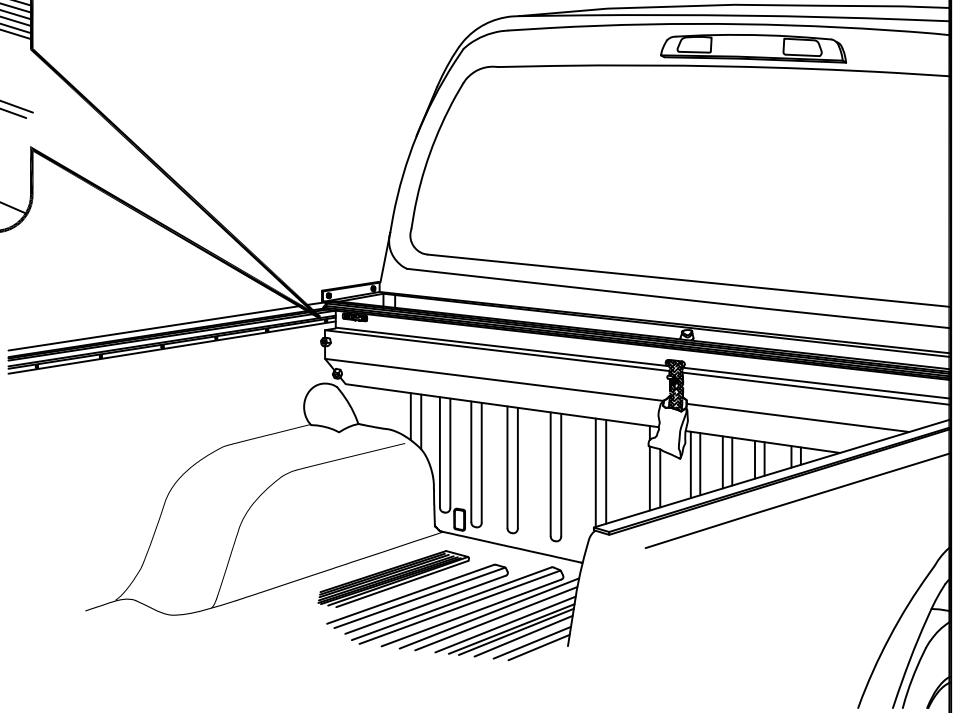
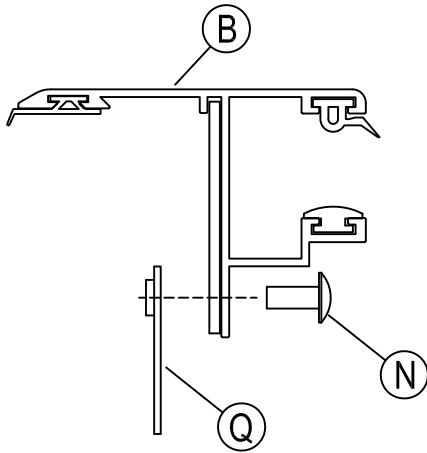
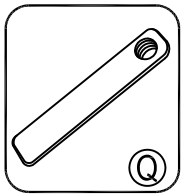
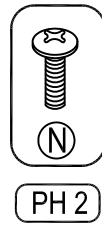
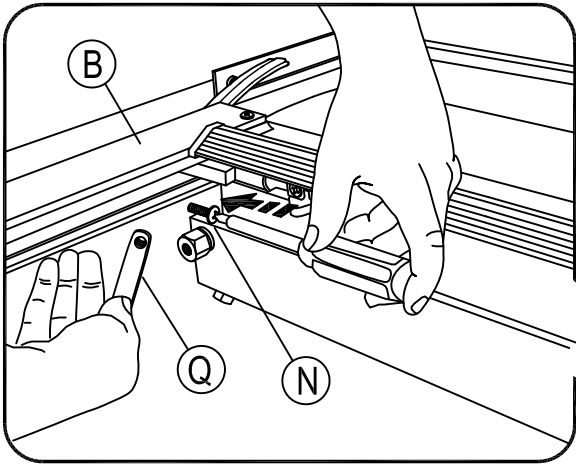
4 LHS = RHS



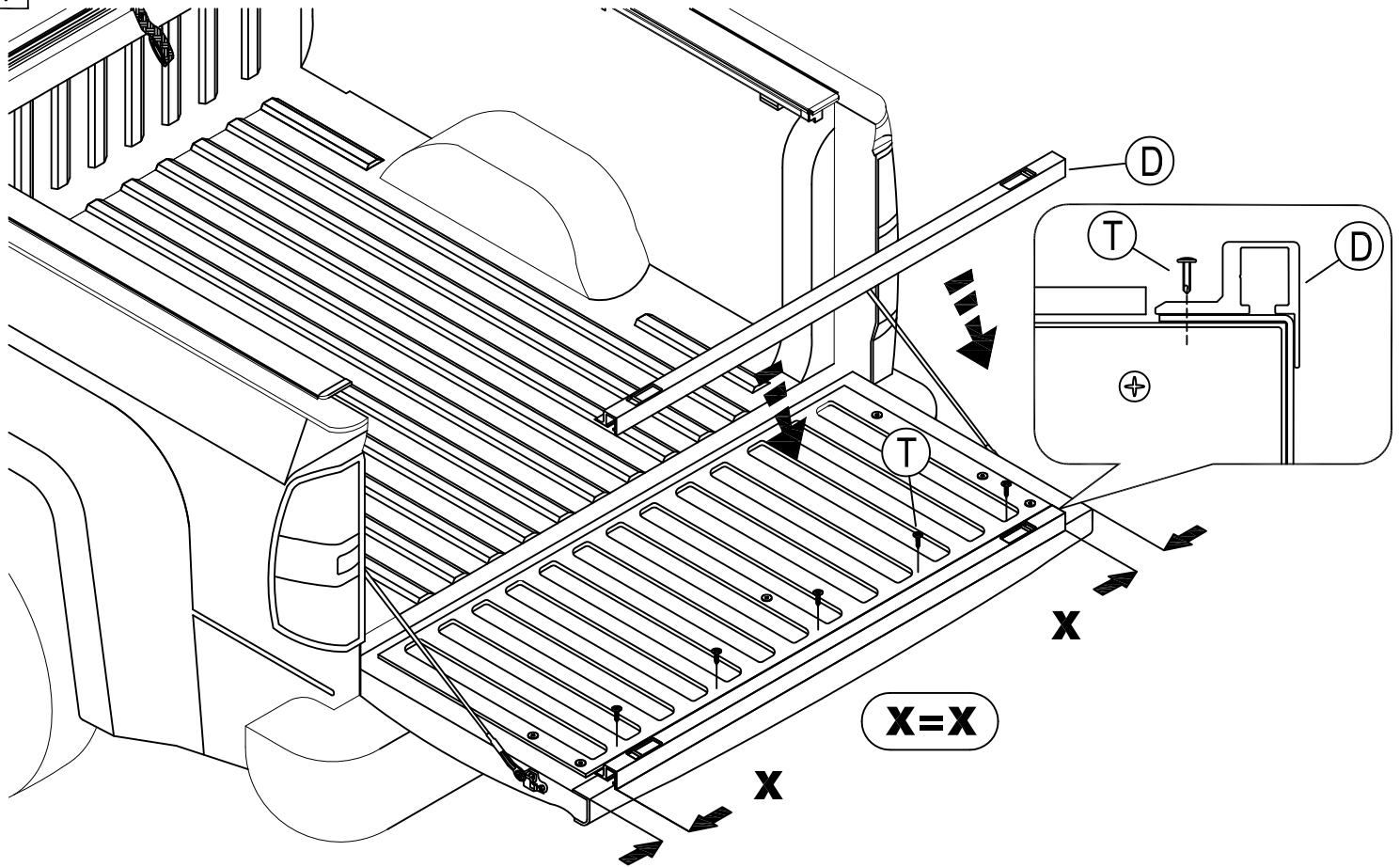
5 LHS = RHS



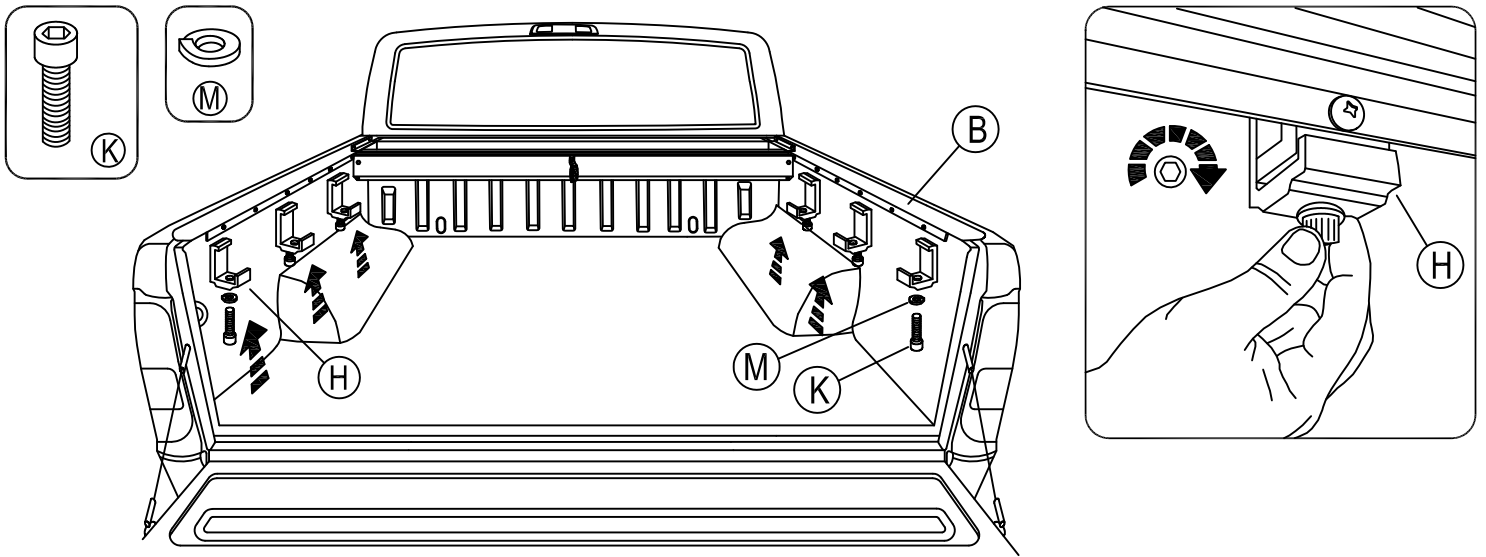
6 LHS = RHS



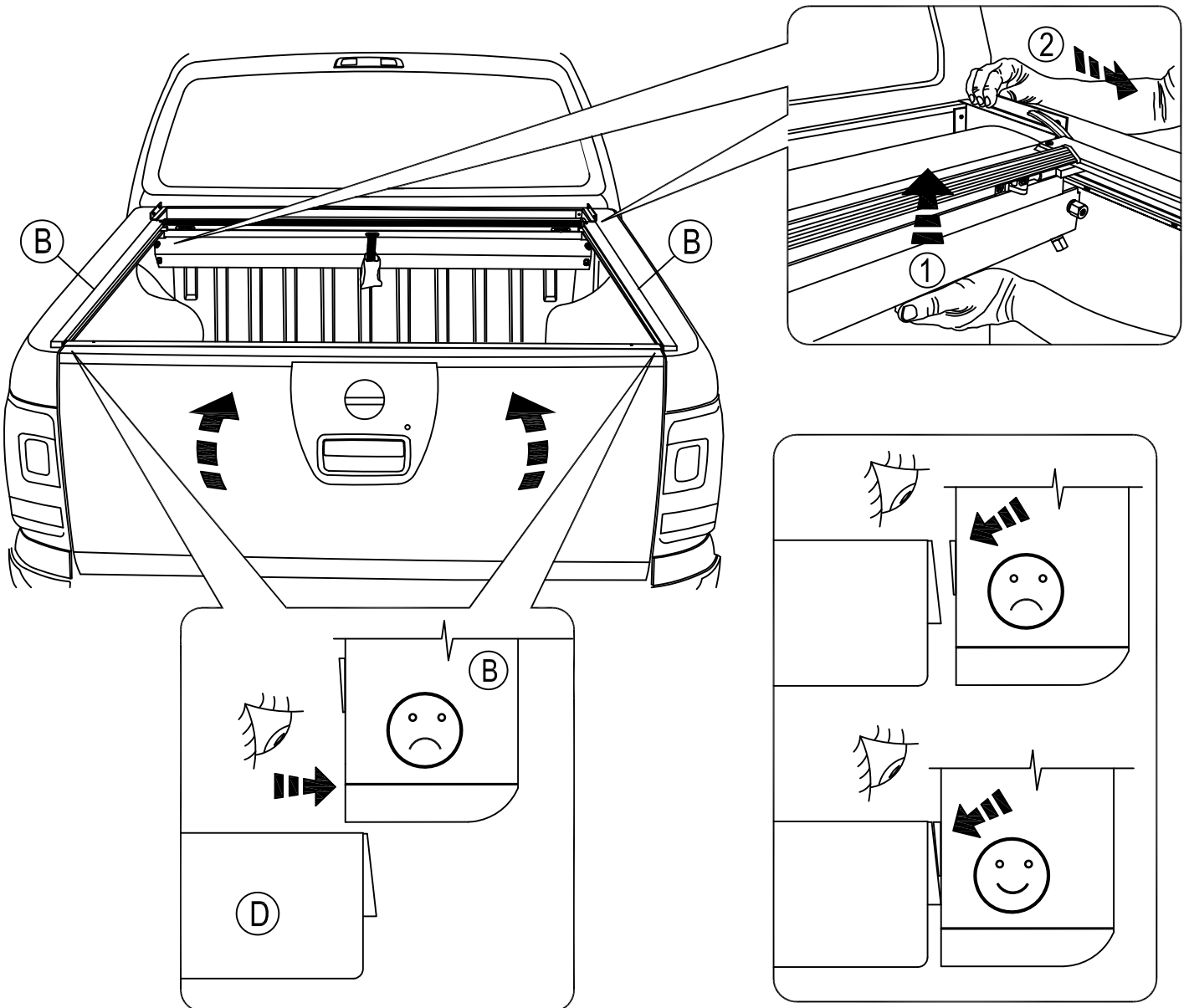
7

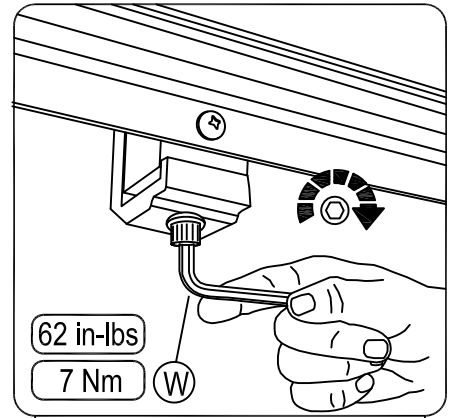
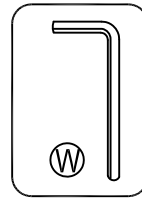
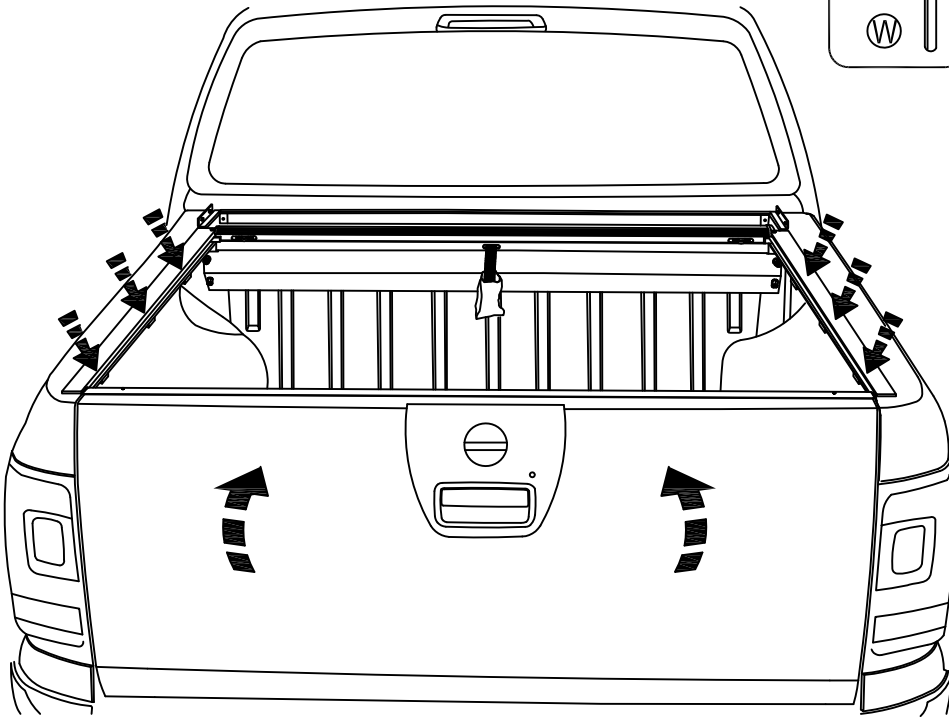


8 LHS = RHS



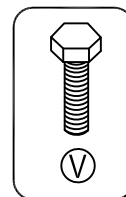
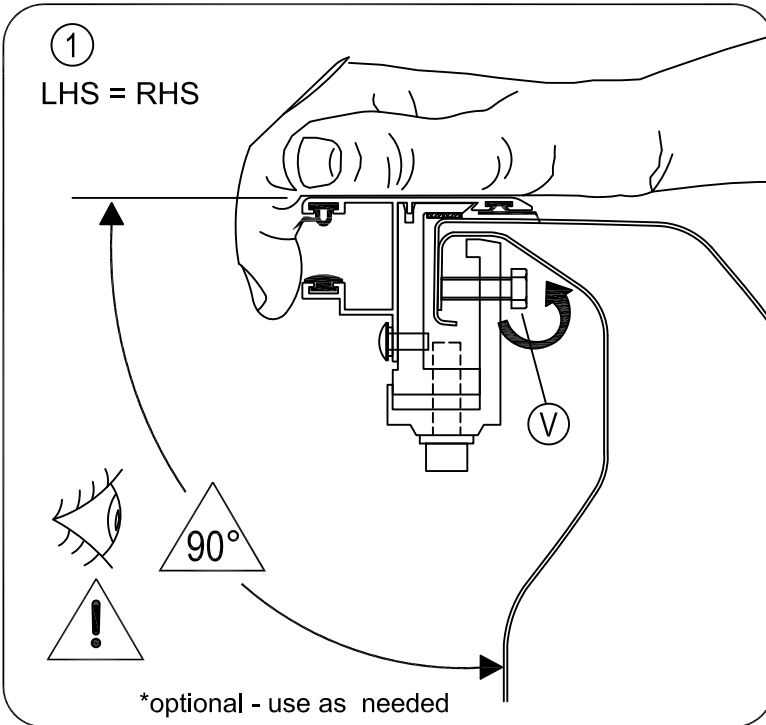
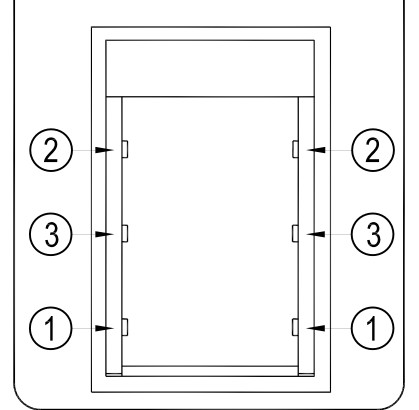
9 LHS = RHS



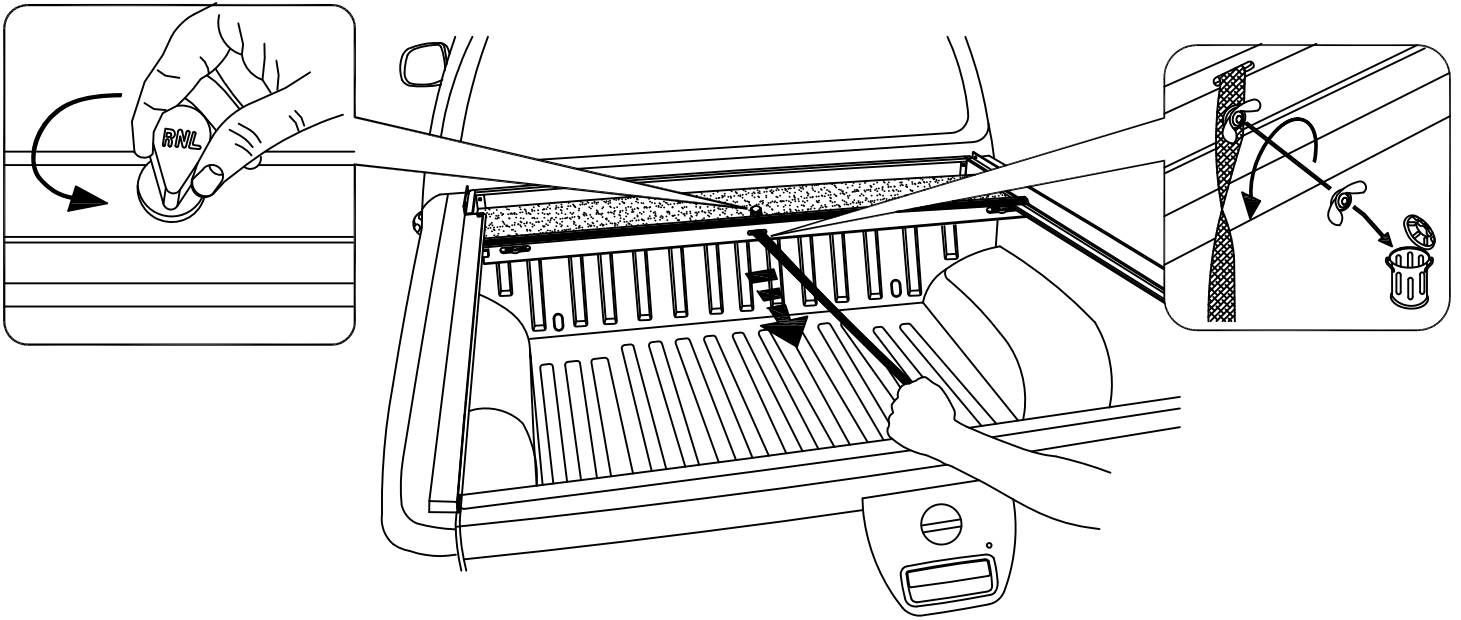


62 in-lbs

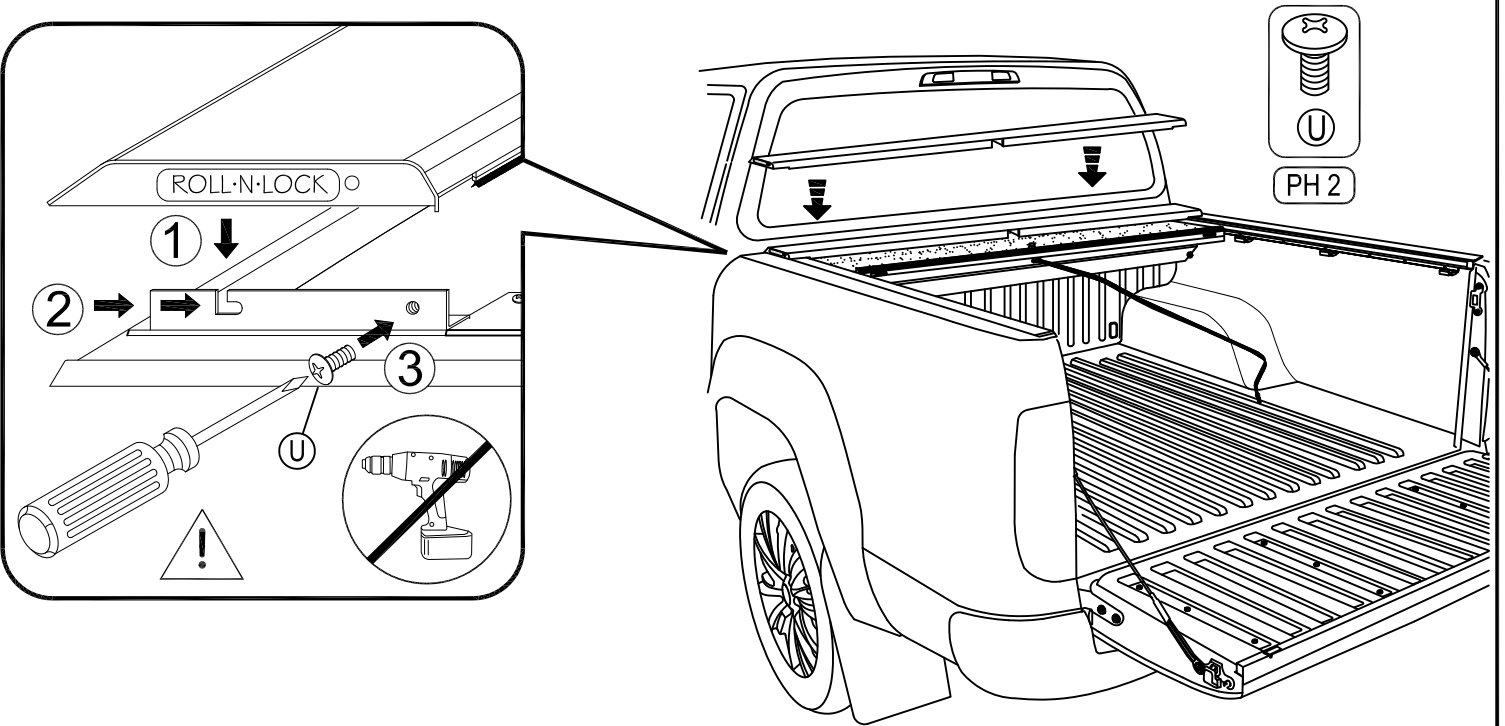
7 Nm



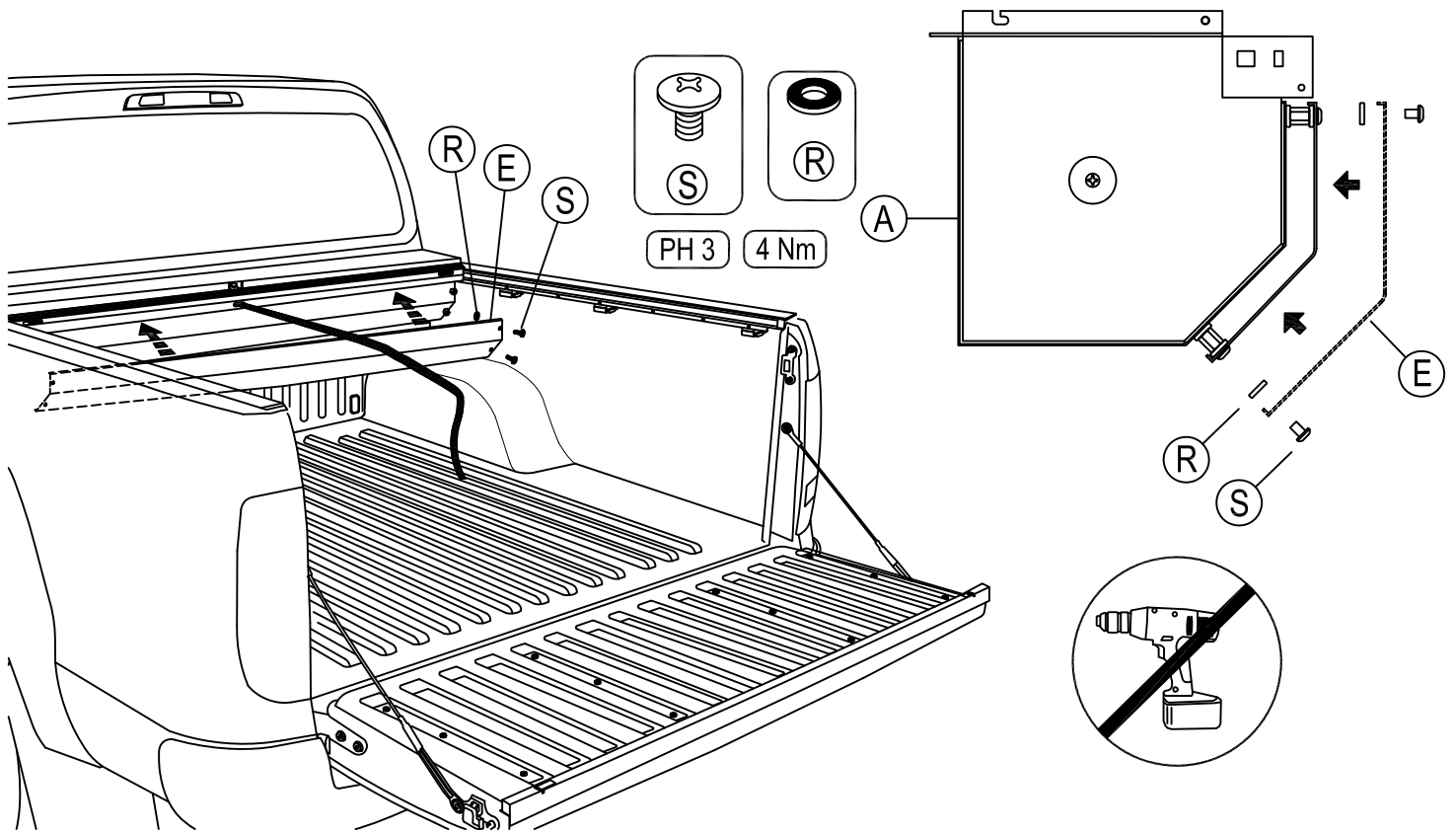
11



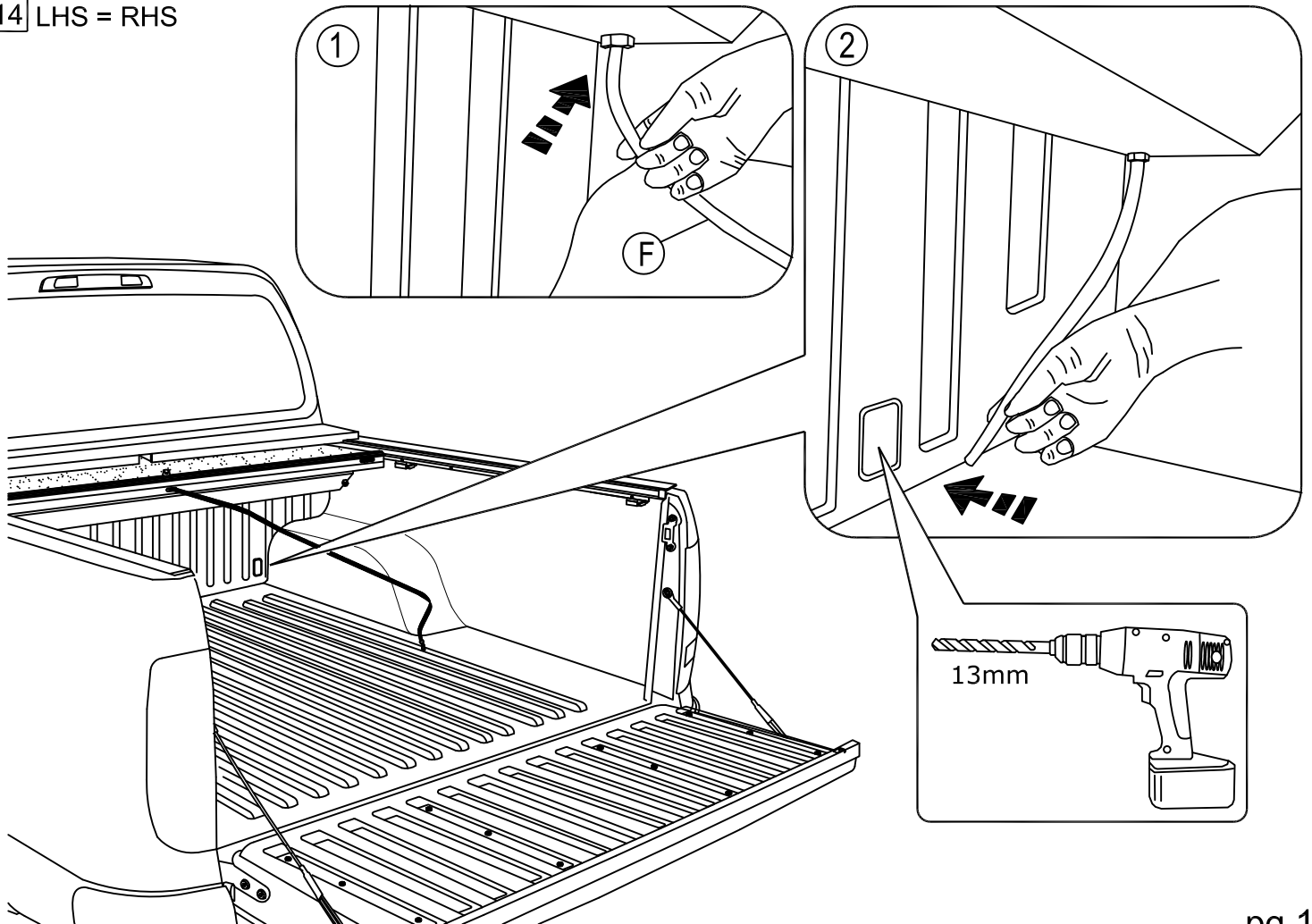
12 LHS = RHS

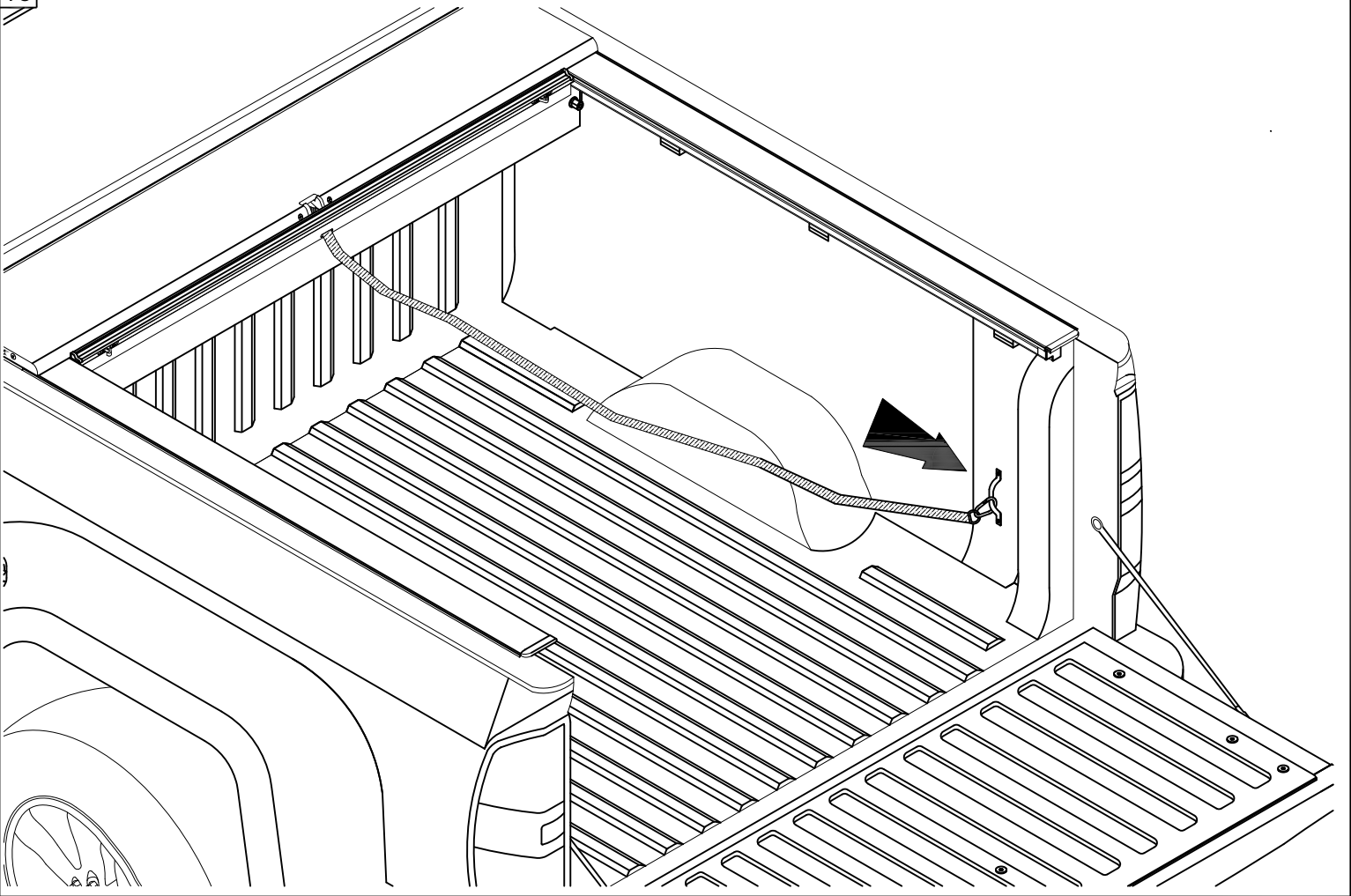


13 LHS = RHS



14 LHS = RHS

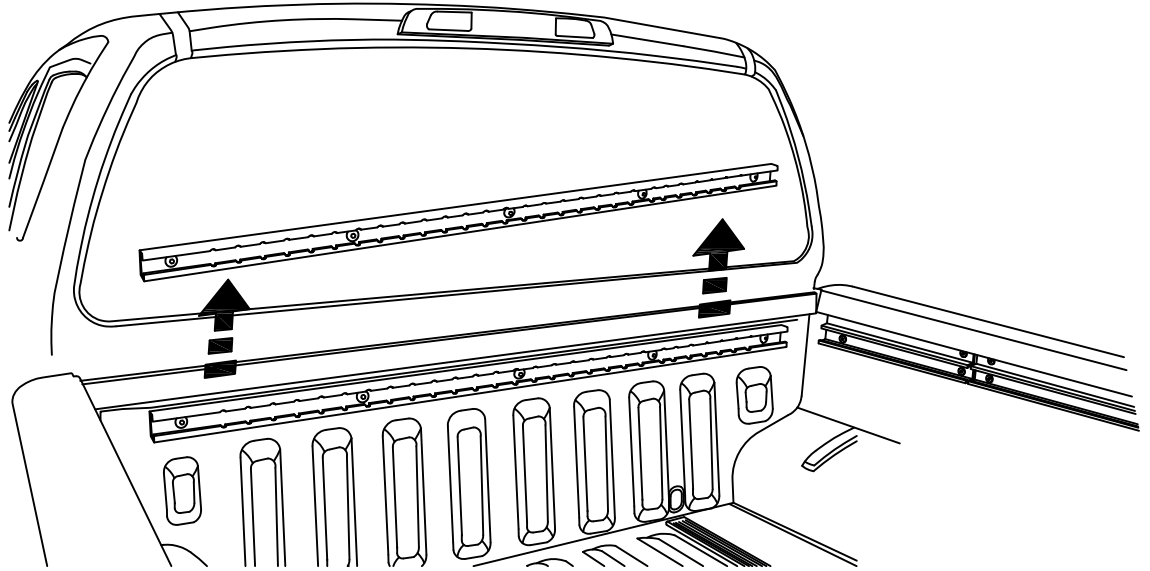




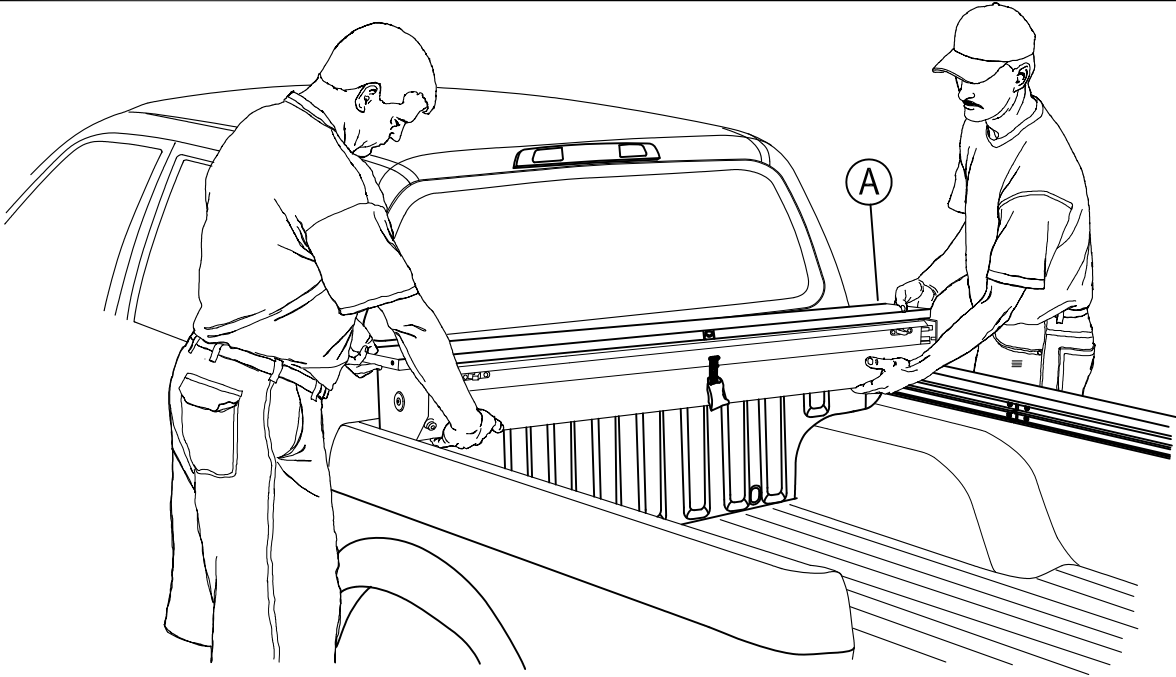
Questions?

Please call Roll•N•Lock Customer Service
at 800-952-7655 or visit rollinlock.com

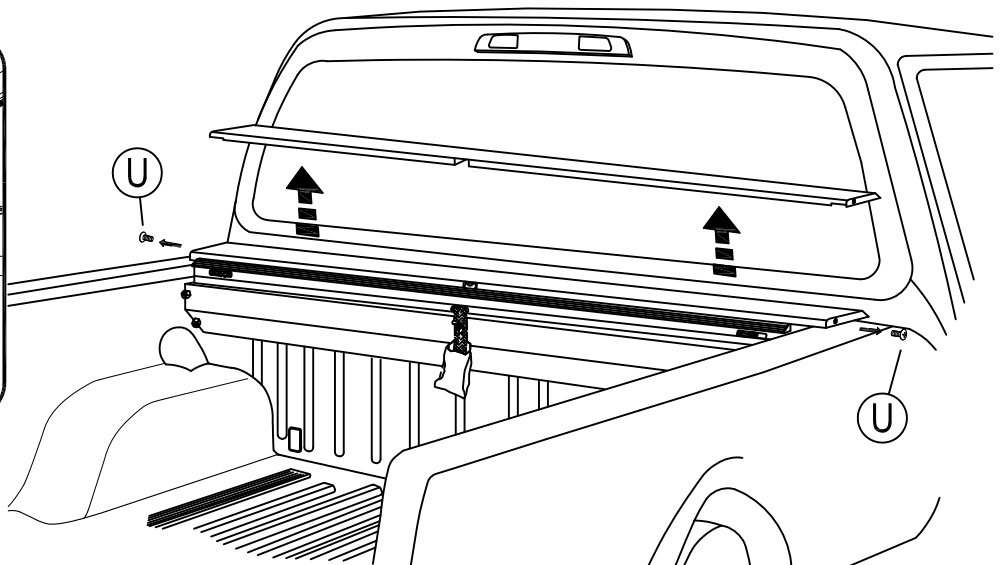
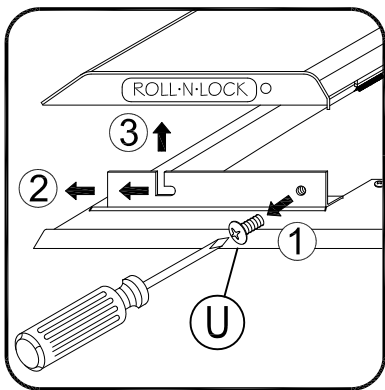
1



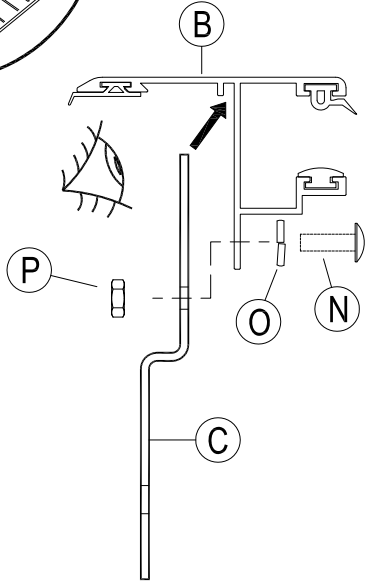
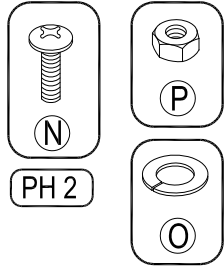
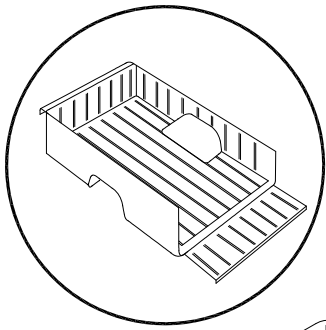
2



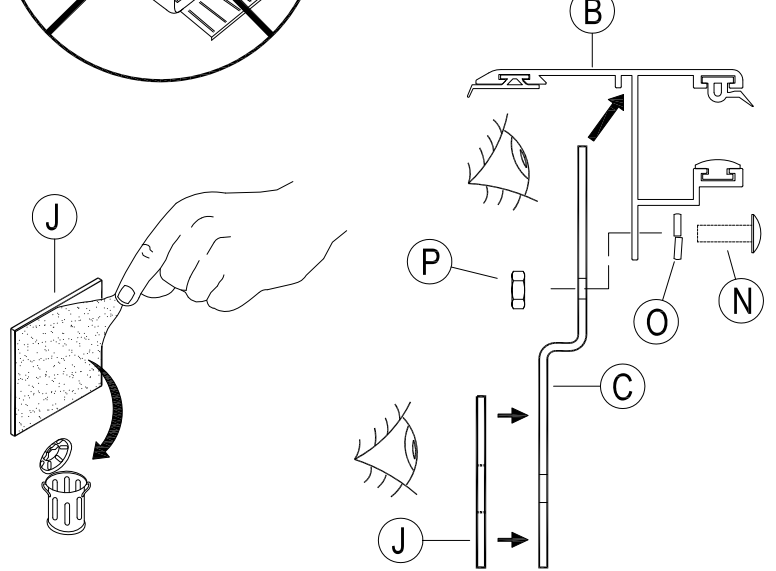
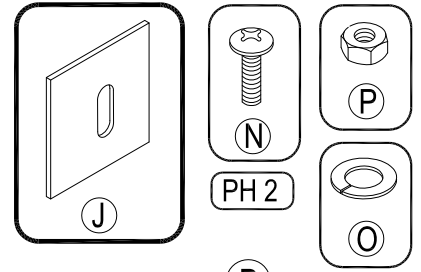
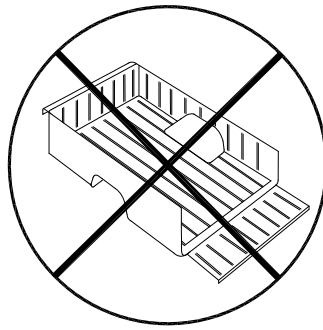
3 LHS = RHS



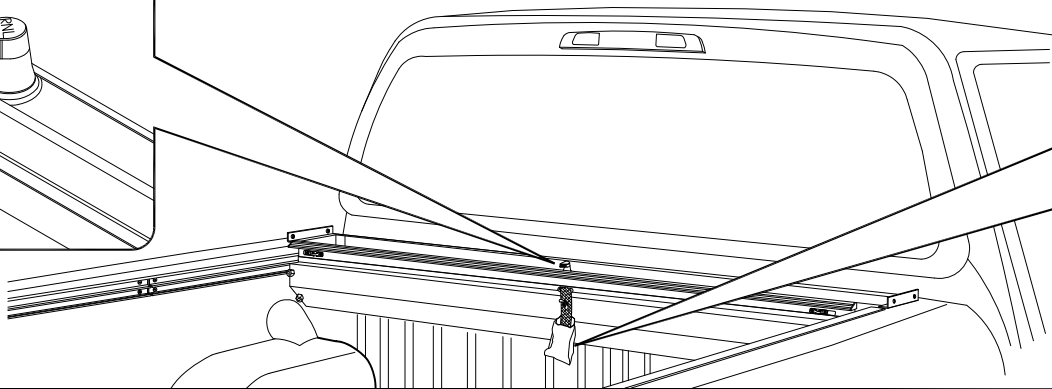
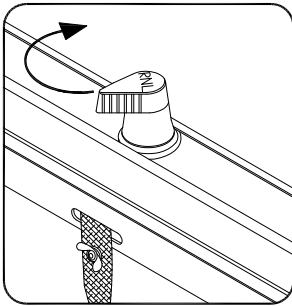
4 LHS = RHS



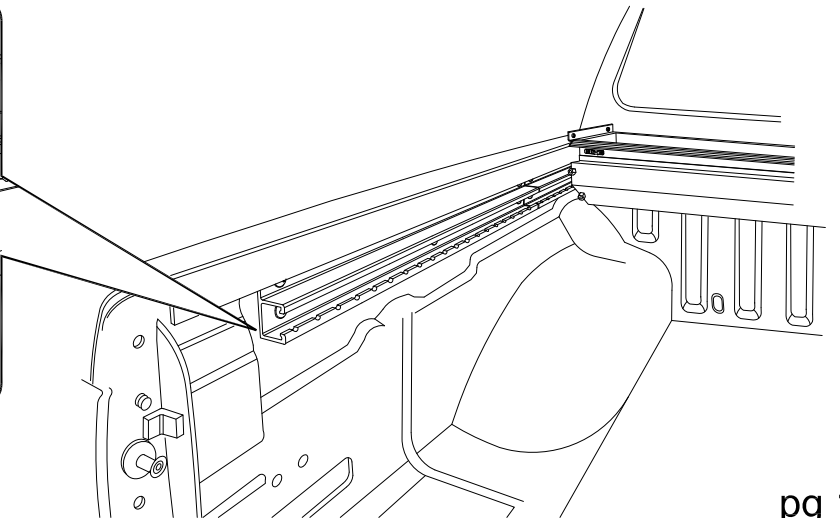
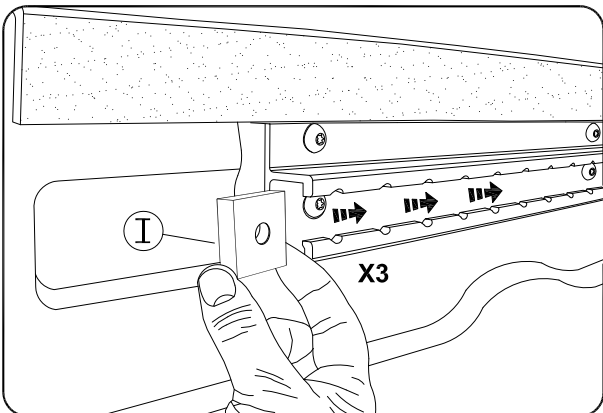
LHS = RHS



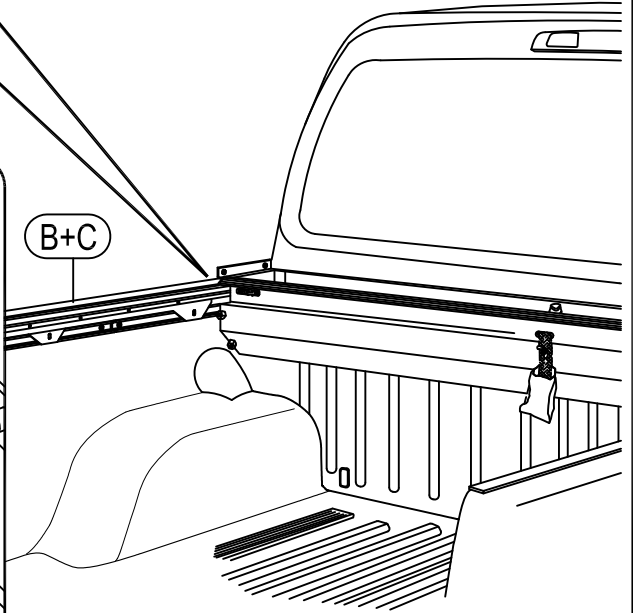
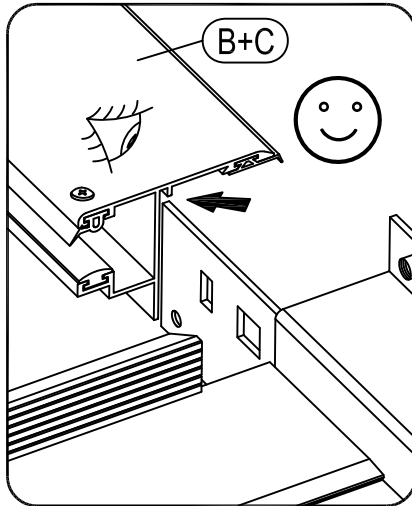
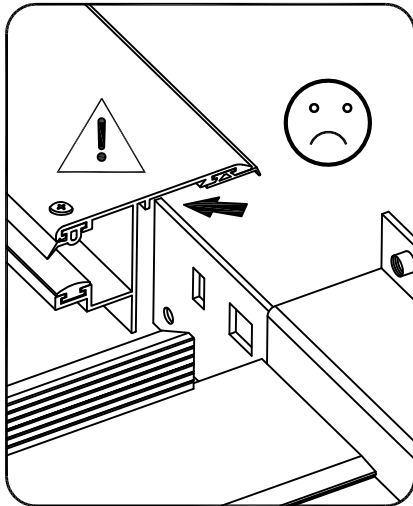
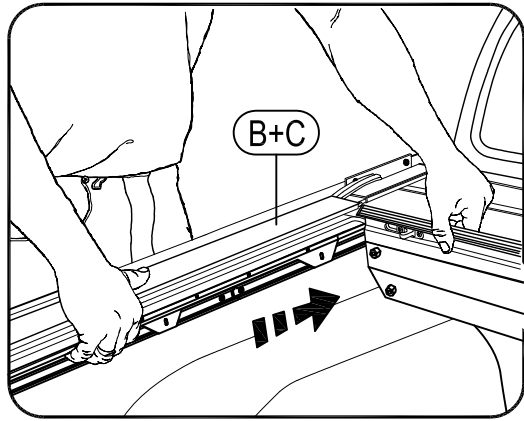
5



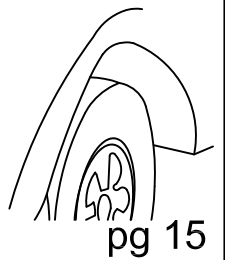
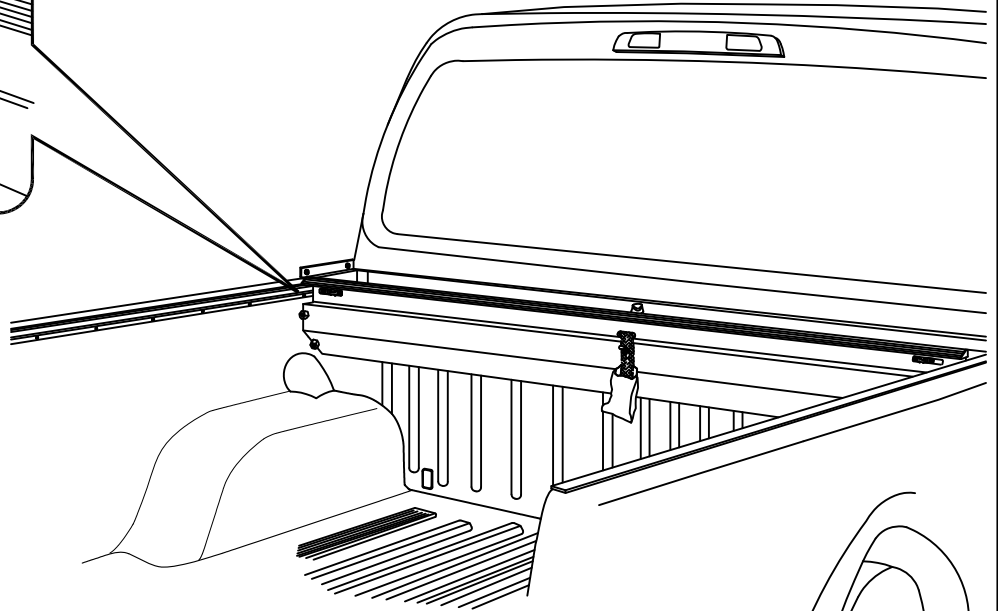
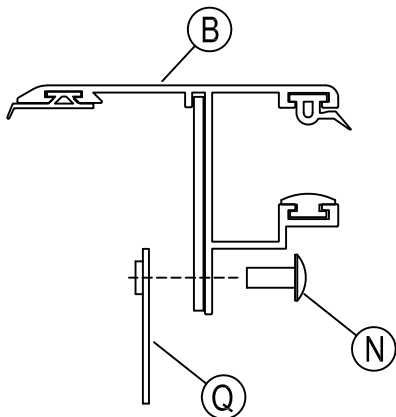
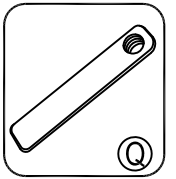
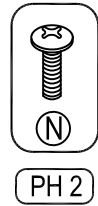
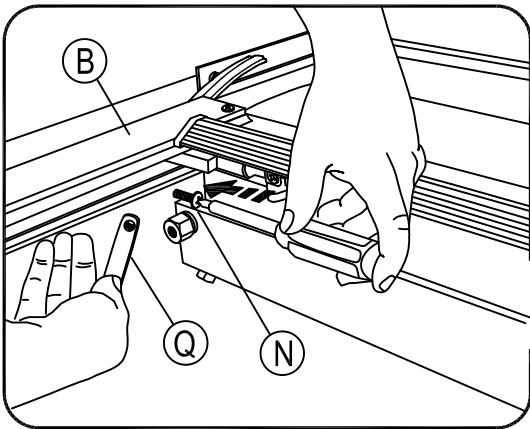
6 LHS = RHS



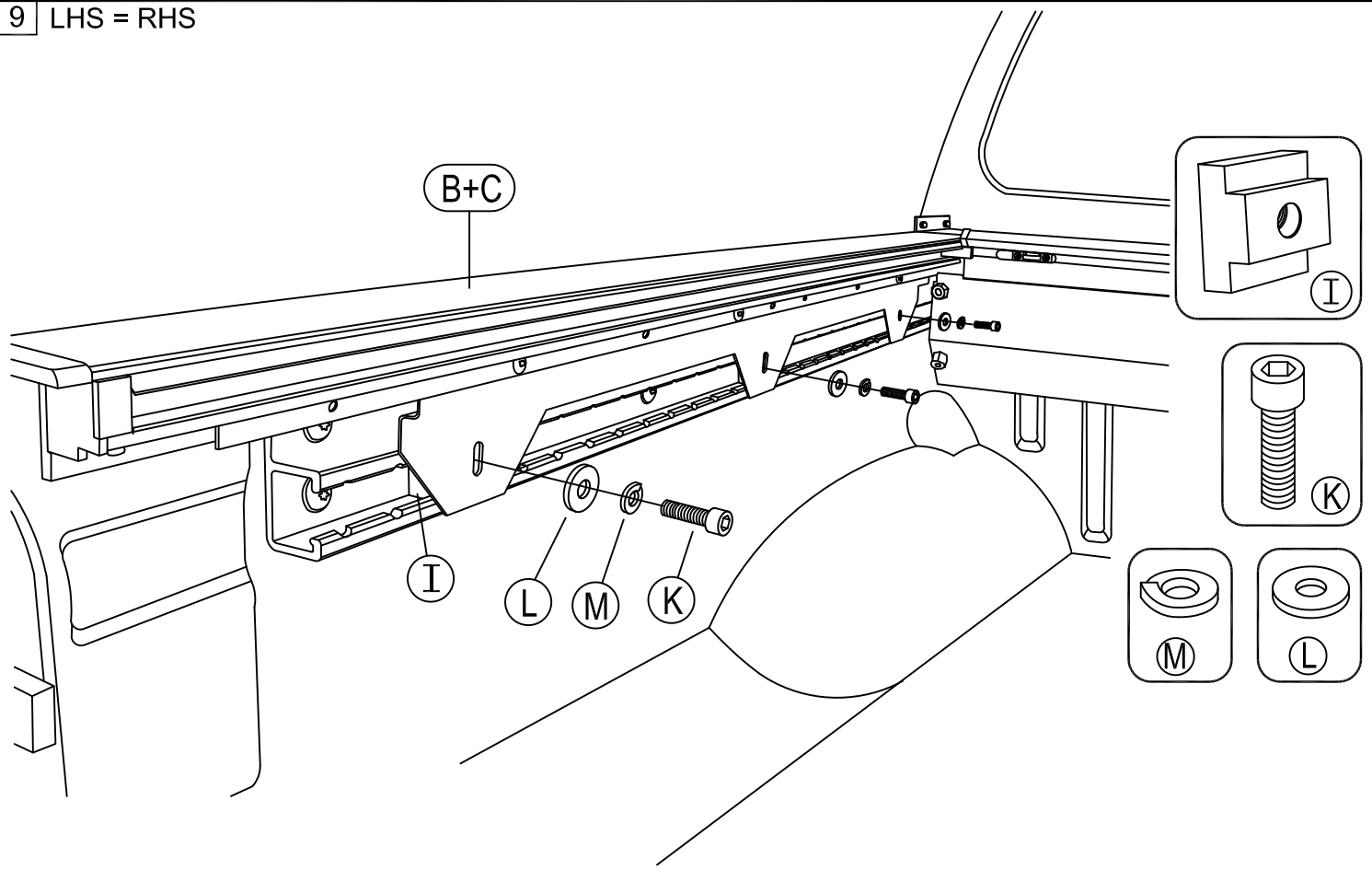
7 LHS = RHS



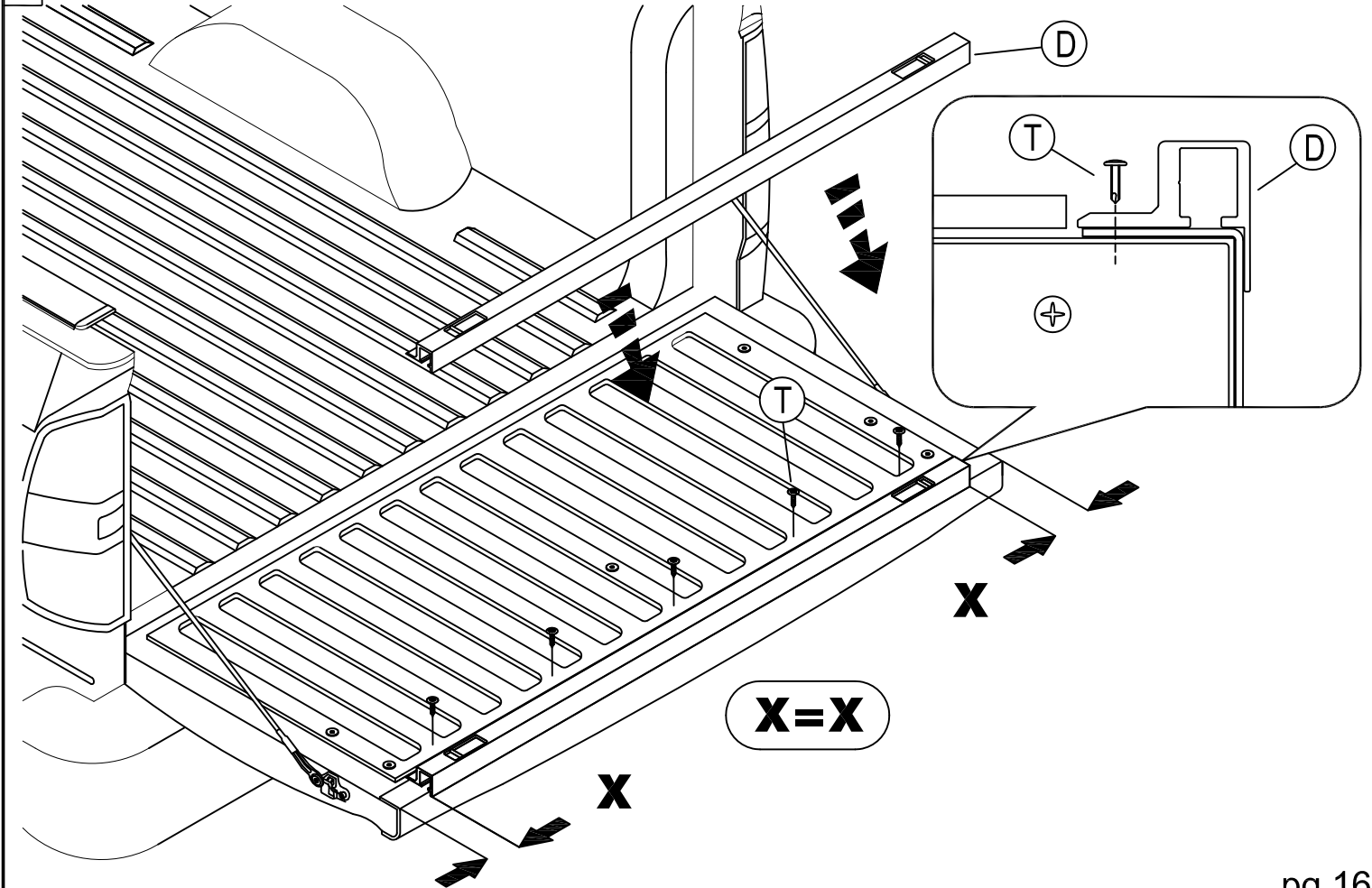
8 LHS = RHS



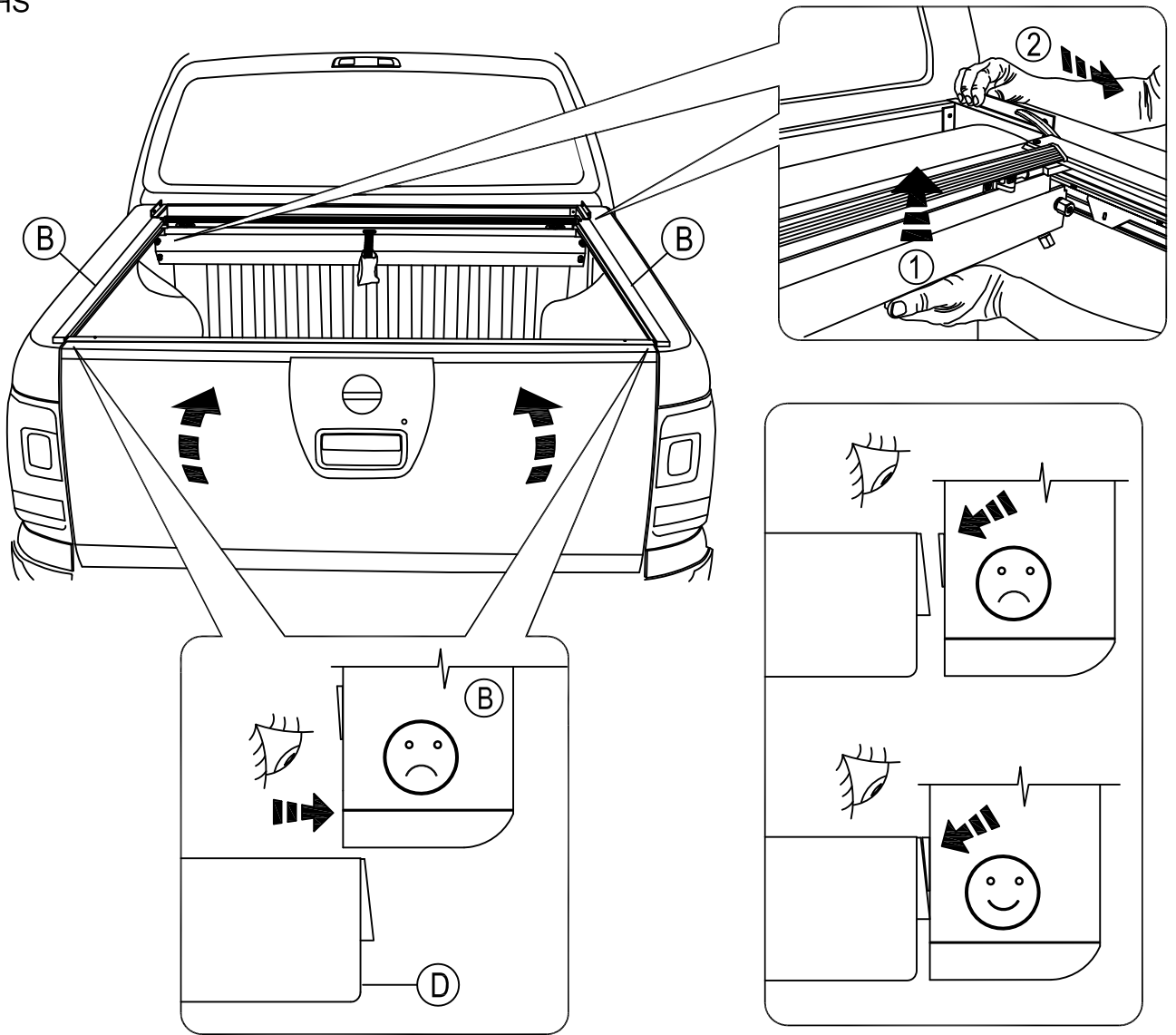
9 LHS = RHS



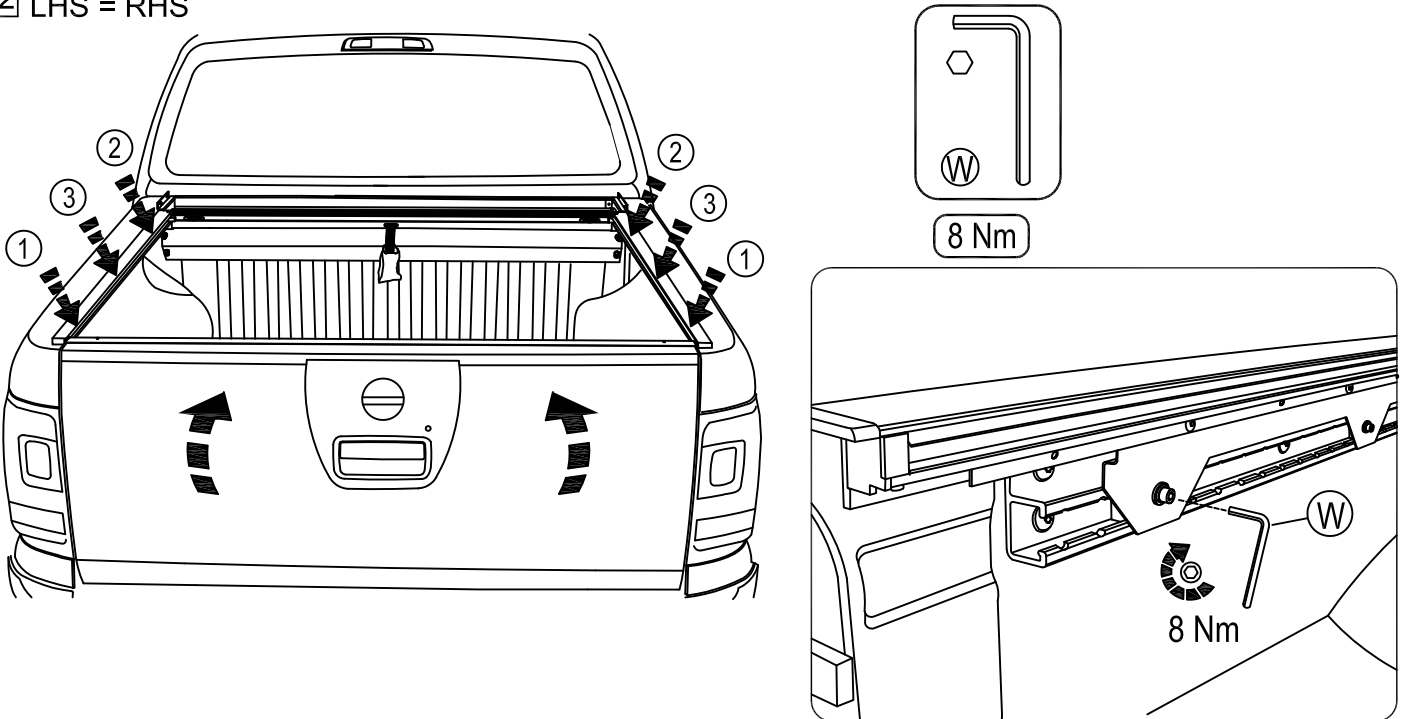
10 LHS = RHS



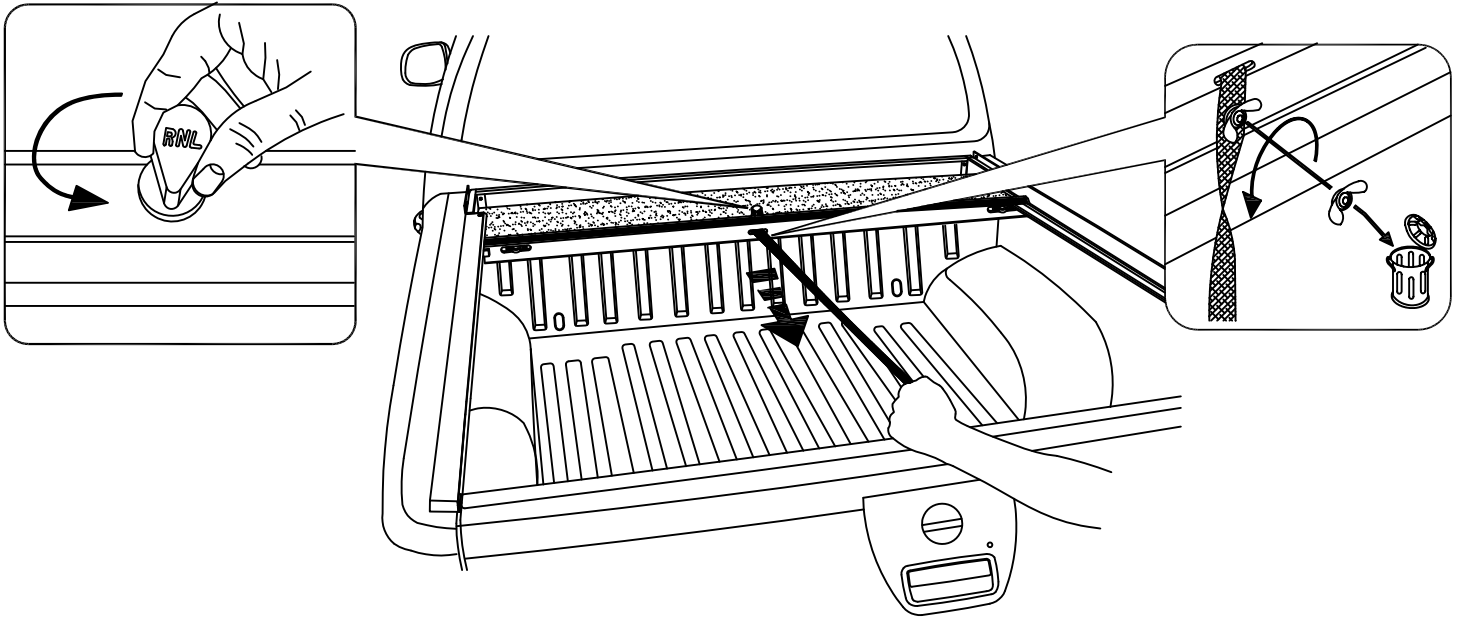
11 LHS = RHS



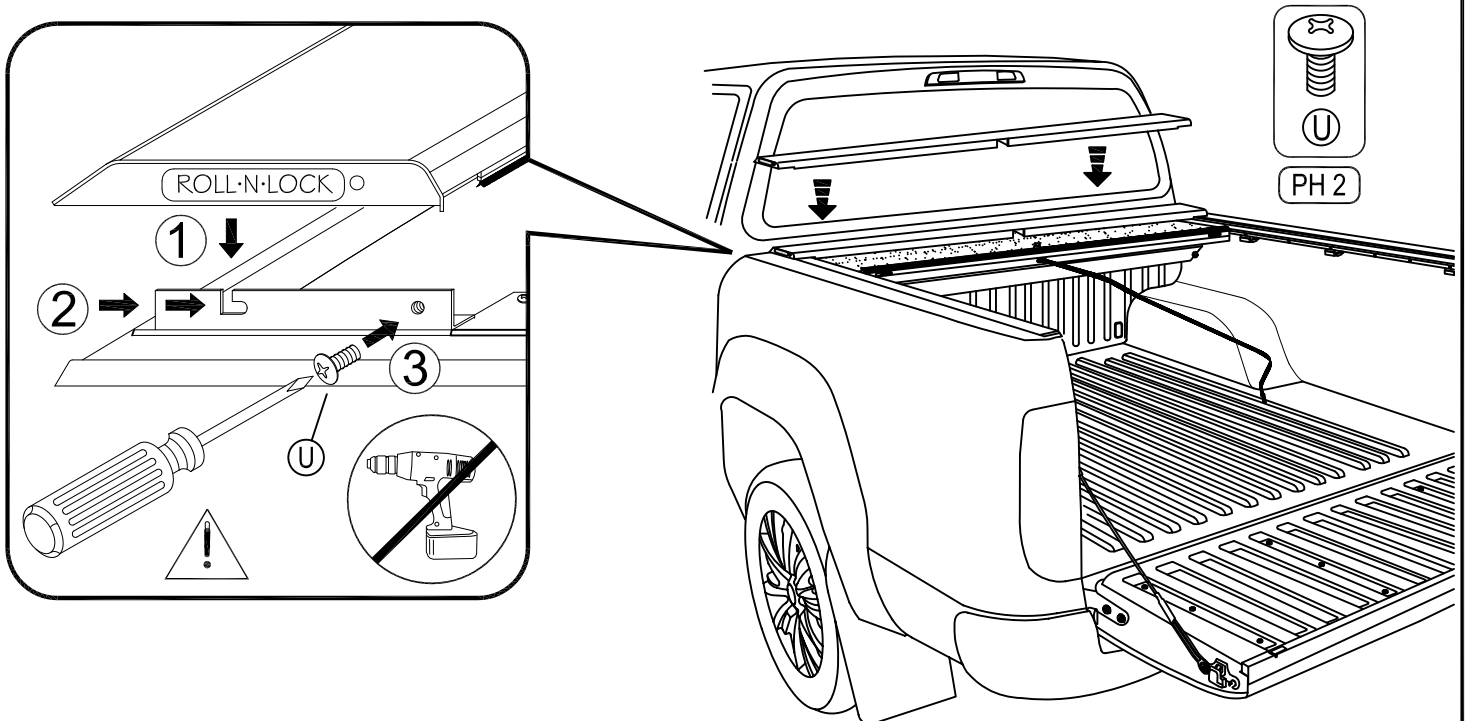
12 LHS = RHS



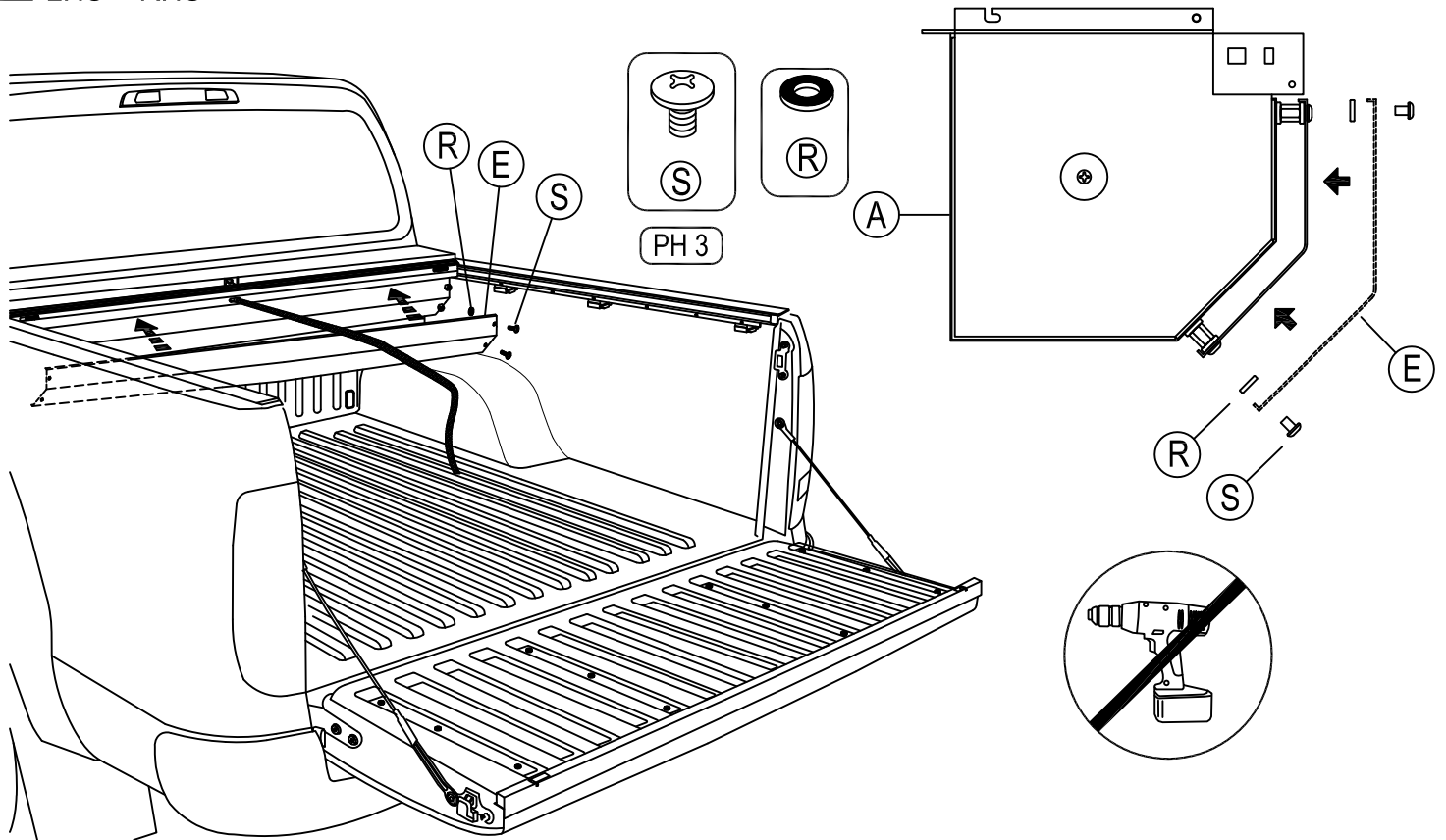
13



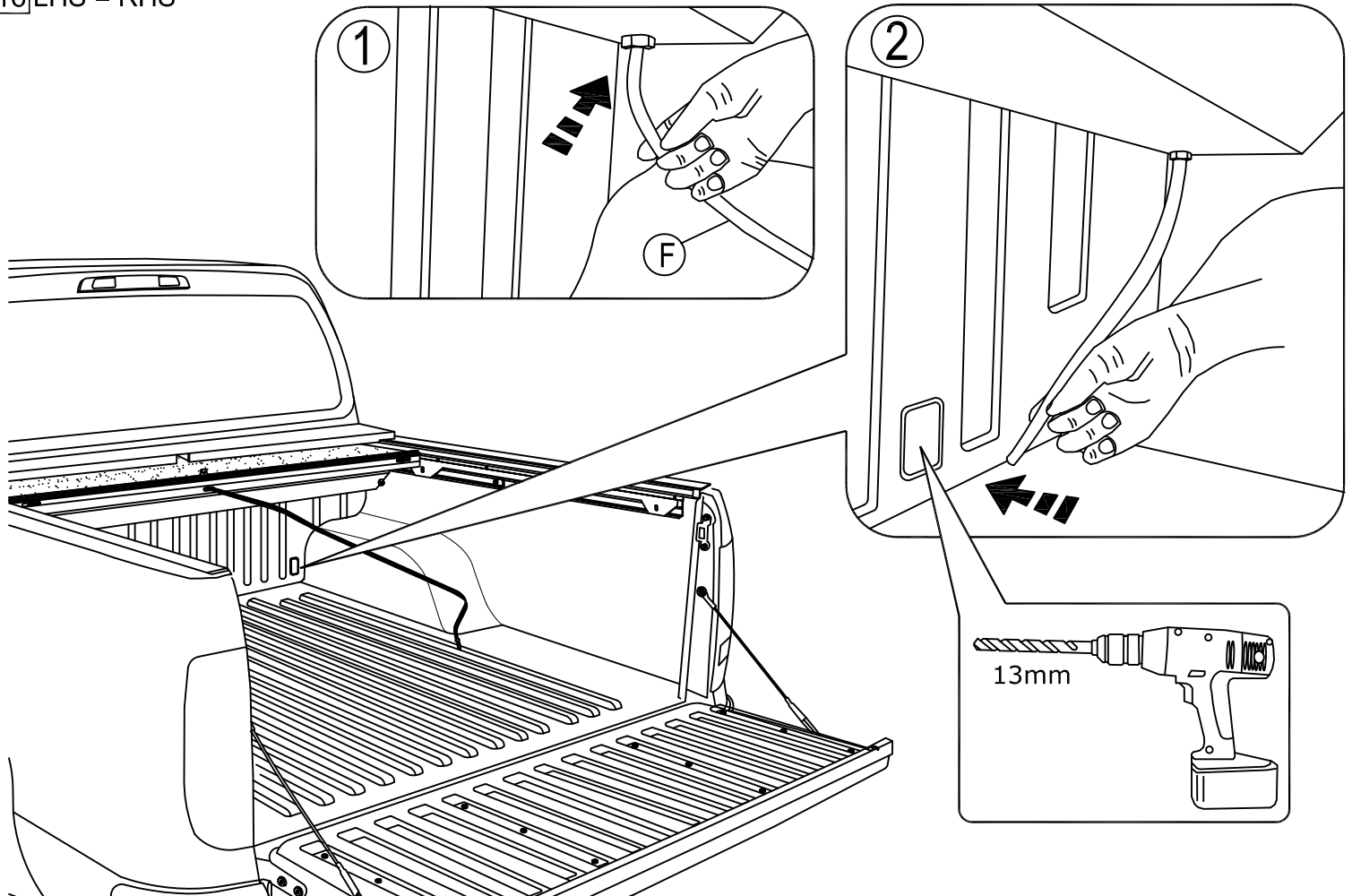
14 LHS = RHS

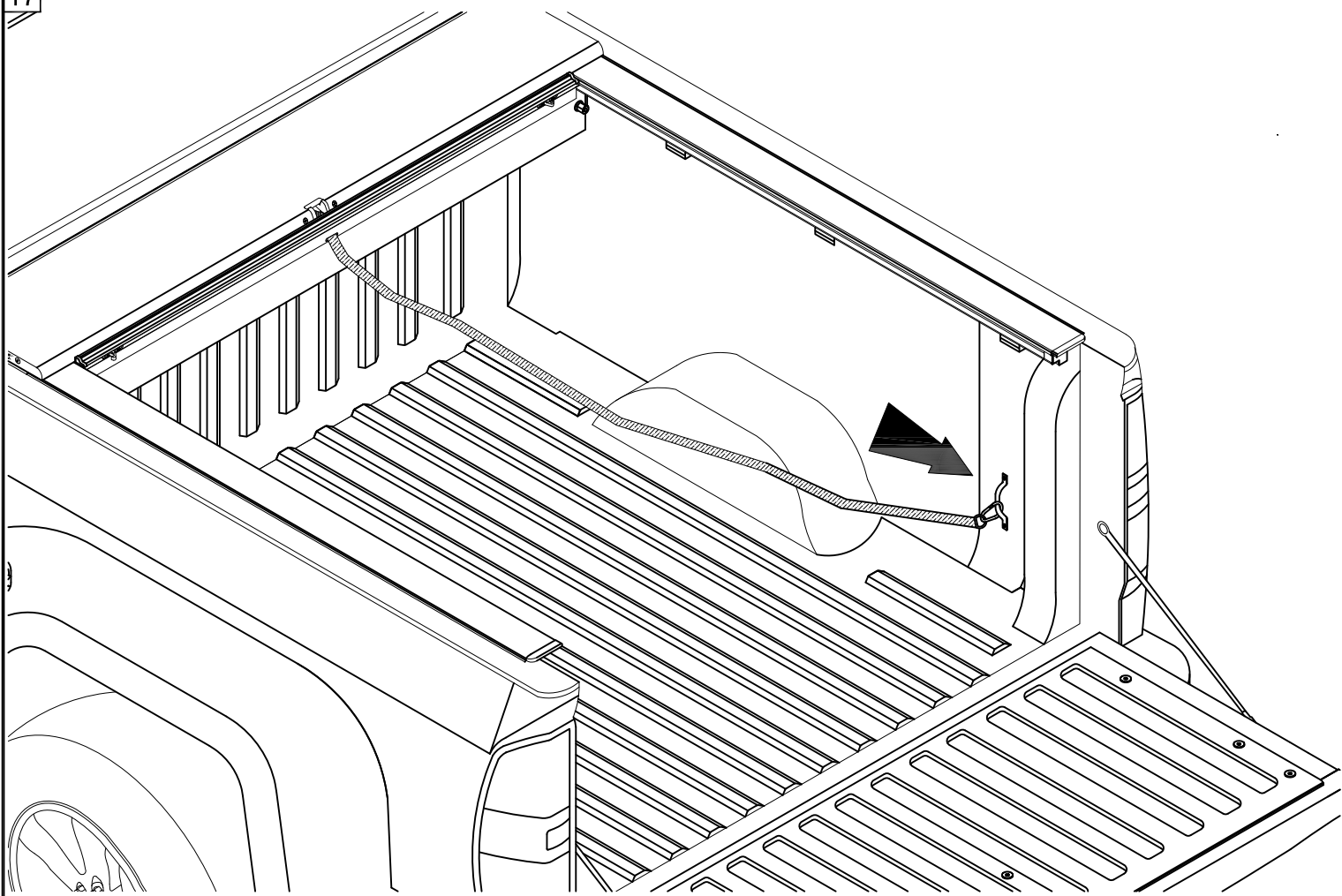


15 LHS = RHS



16 LHS = RHS





Questions?

Please call Roll•N•Lock Customer Service
at 800-952-7655 or visit rollinlock.com