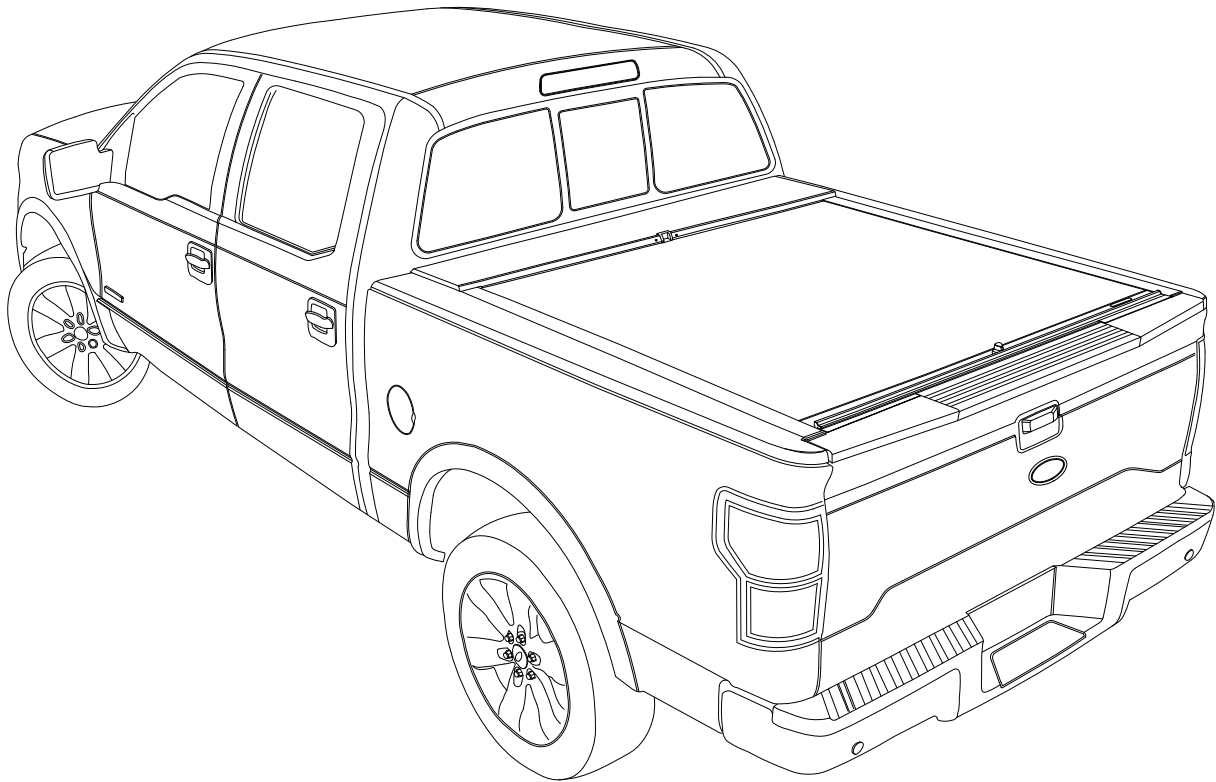




Installation Guide

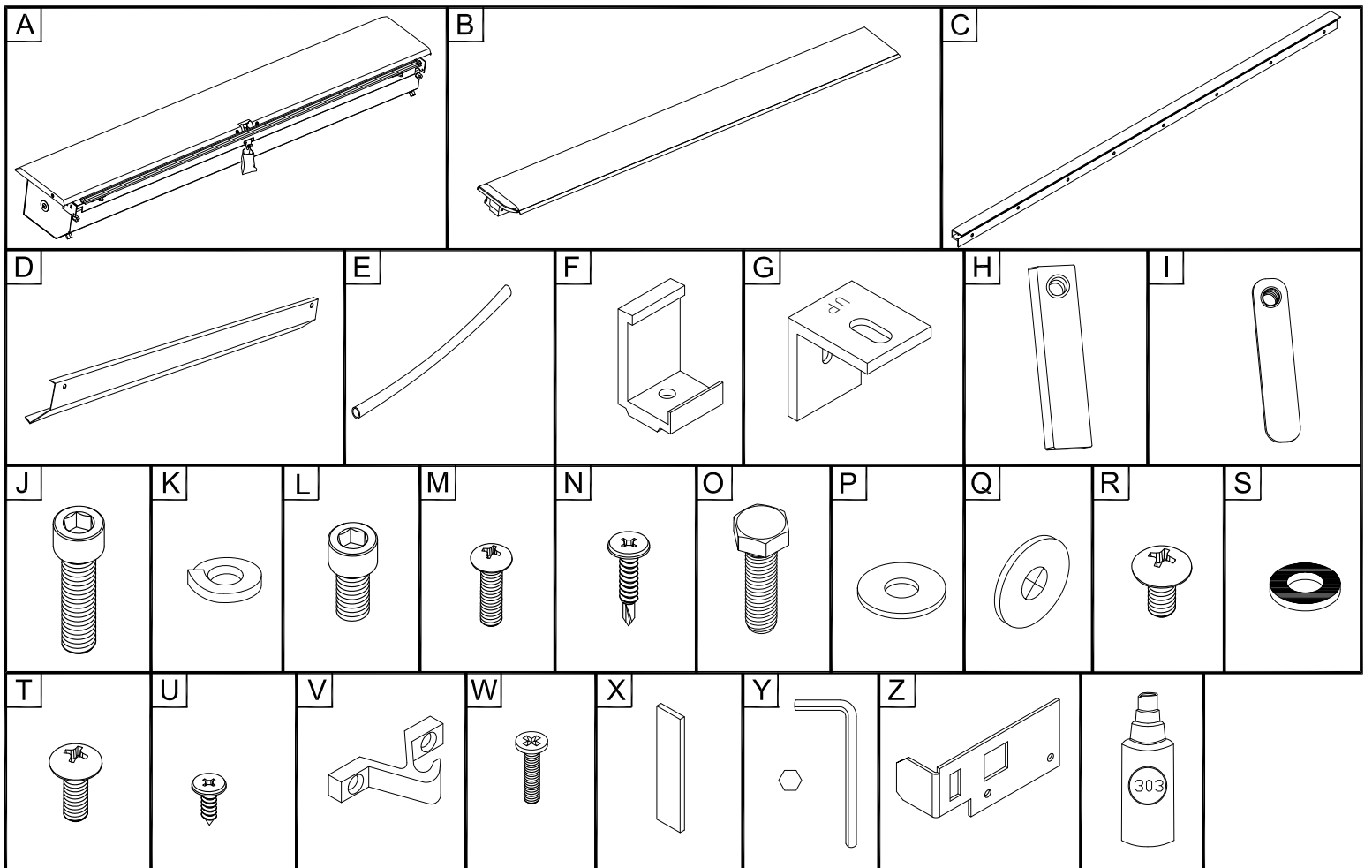
Ford F-150



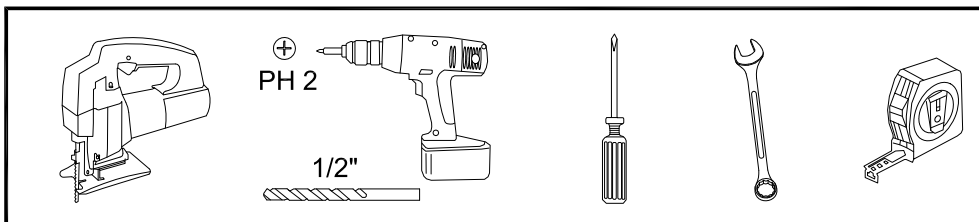
Product Code
101-102-103

Parts List

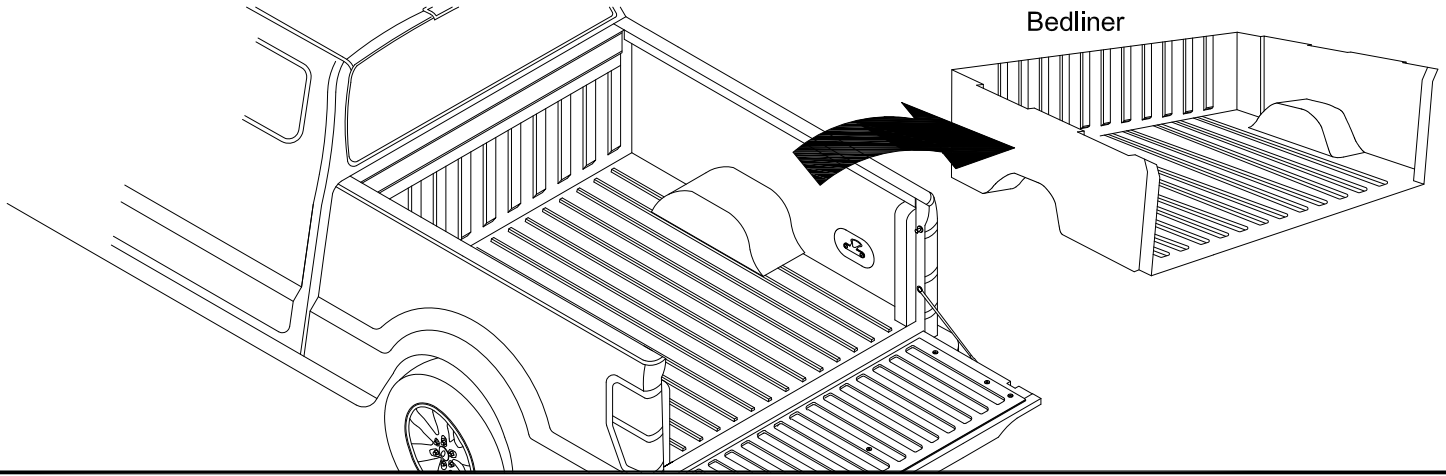
Item	Part Name	Qty.	Item	Part Name	Qty.	Item	Part Name	Qty.
A	Housing	1	J	5/16" x 1/4" Socket Cap Screw	6/8	S	Rubber Washer	4
B	Track	2	K	5/16" Lock Washer	6/8	T	1/4" Lid Screw	2
C	Tailgate Extrusion	1	L	5/16" x 3/4" Socket Cap Screw	2	U	#6 x 1/2" Screw	2
D	Cargo Shield	1	M	#10-24 Screw	2	V	Hook Latch	2
E	Drain Tube	2	N	#8 x 1/4" Self Tap Screw	5	W	#8 x 1/2" Flat Head Screw	4
F	Bed Clamps	4/6	O	1/4"-20 x 1/4" Hex Head Bolt	2	X	Track Angle Shim	2
G	Track Angle	2	P	1/4" Flat Washer	2	Y	Allen Wrench (1/4")	1
H	Tang	2	Q	Nylon Retaining Washer	2	Z	Standard Striker Plate	2
I	Cargo Nut	2	R	1/4-20 x 3/8" Screw	4		303 Vinyl Protector	1



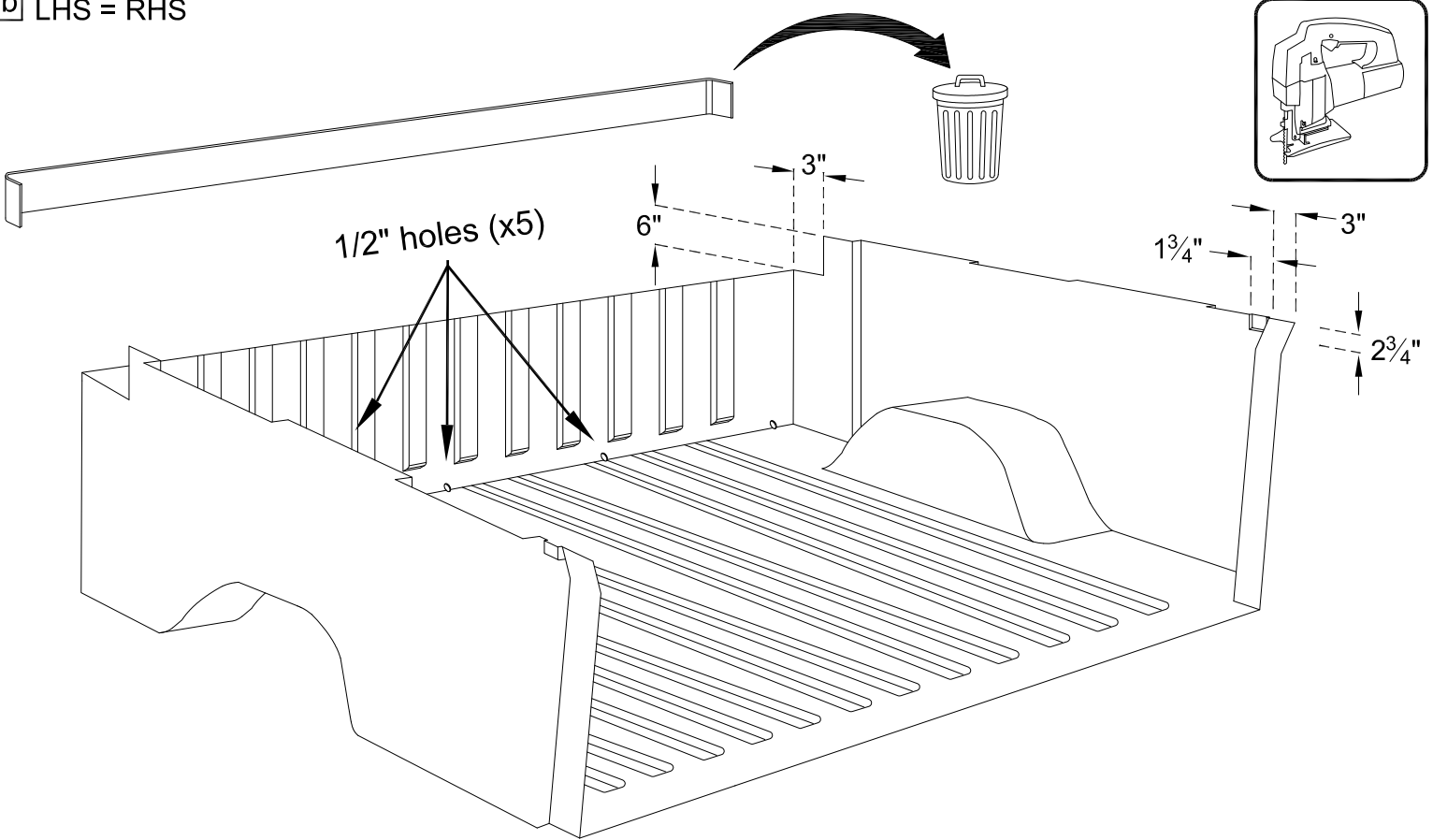
Tools Needed



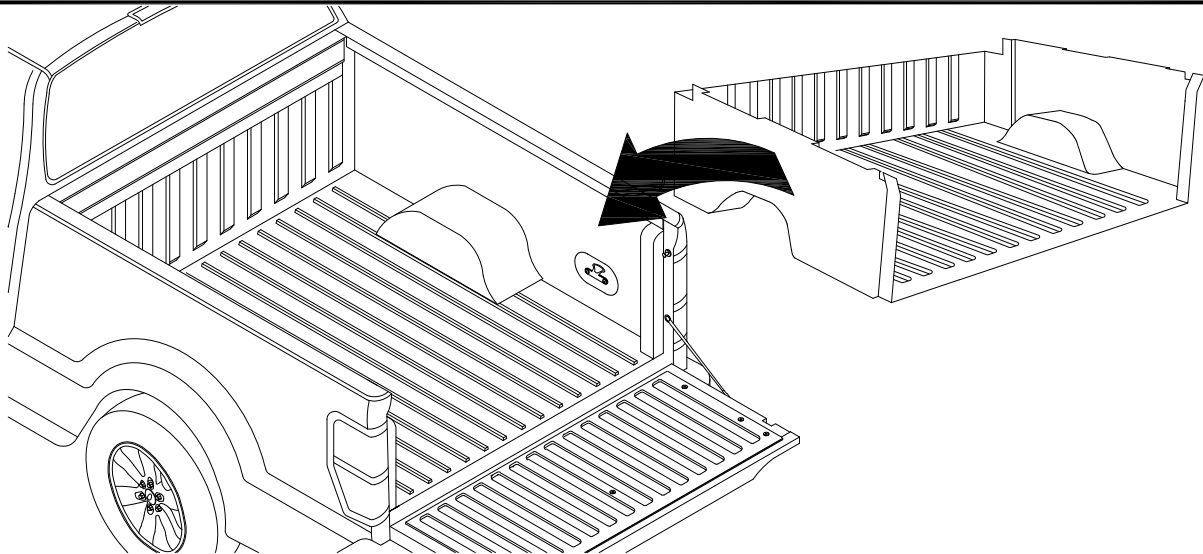
1a If no bedliner present
go to page 4 - step 1



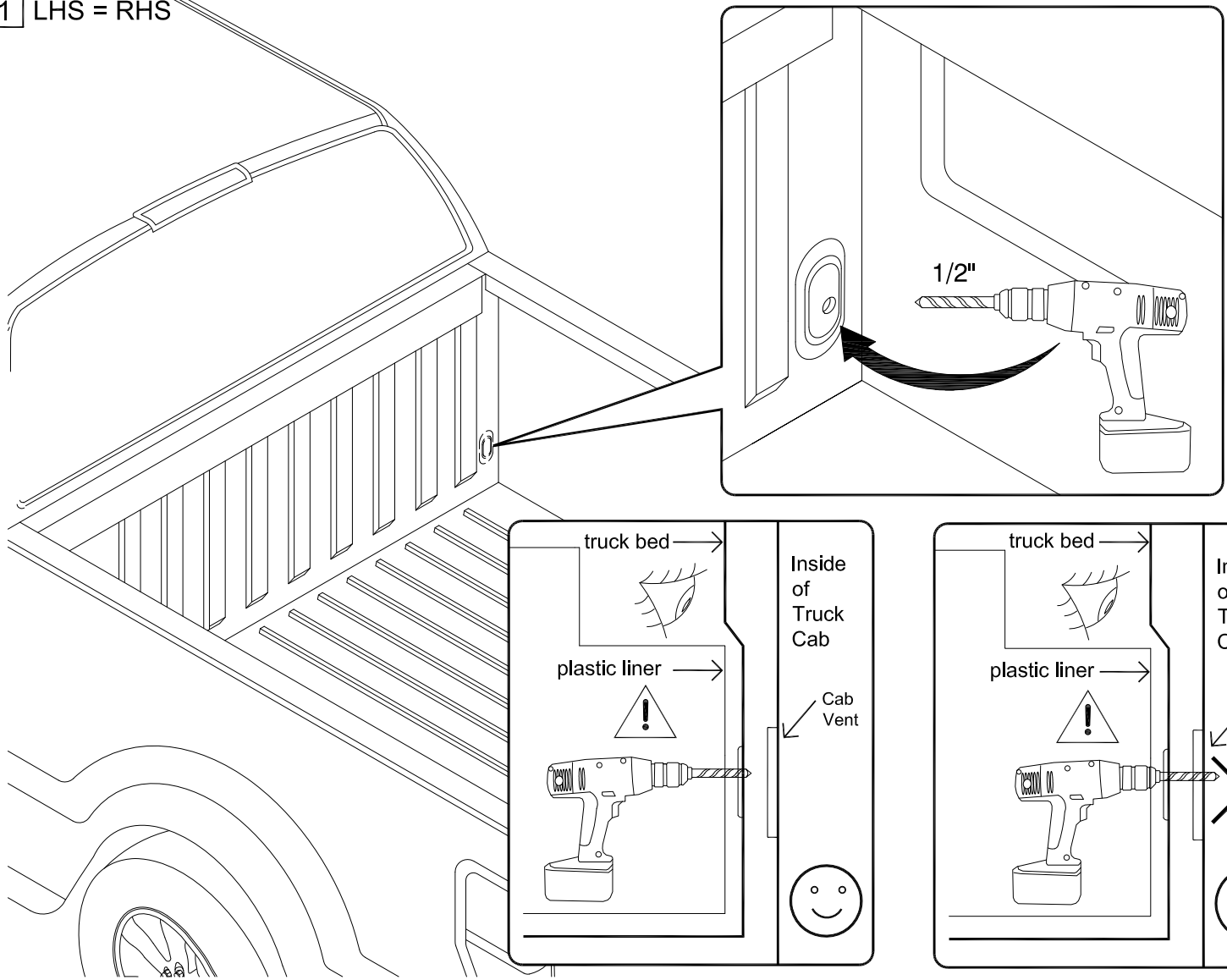
1b LHS = RHS



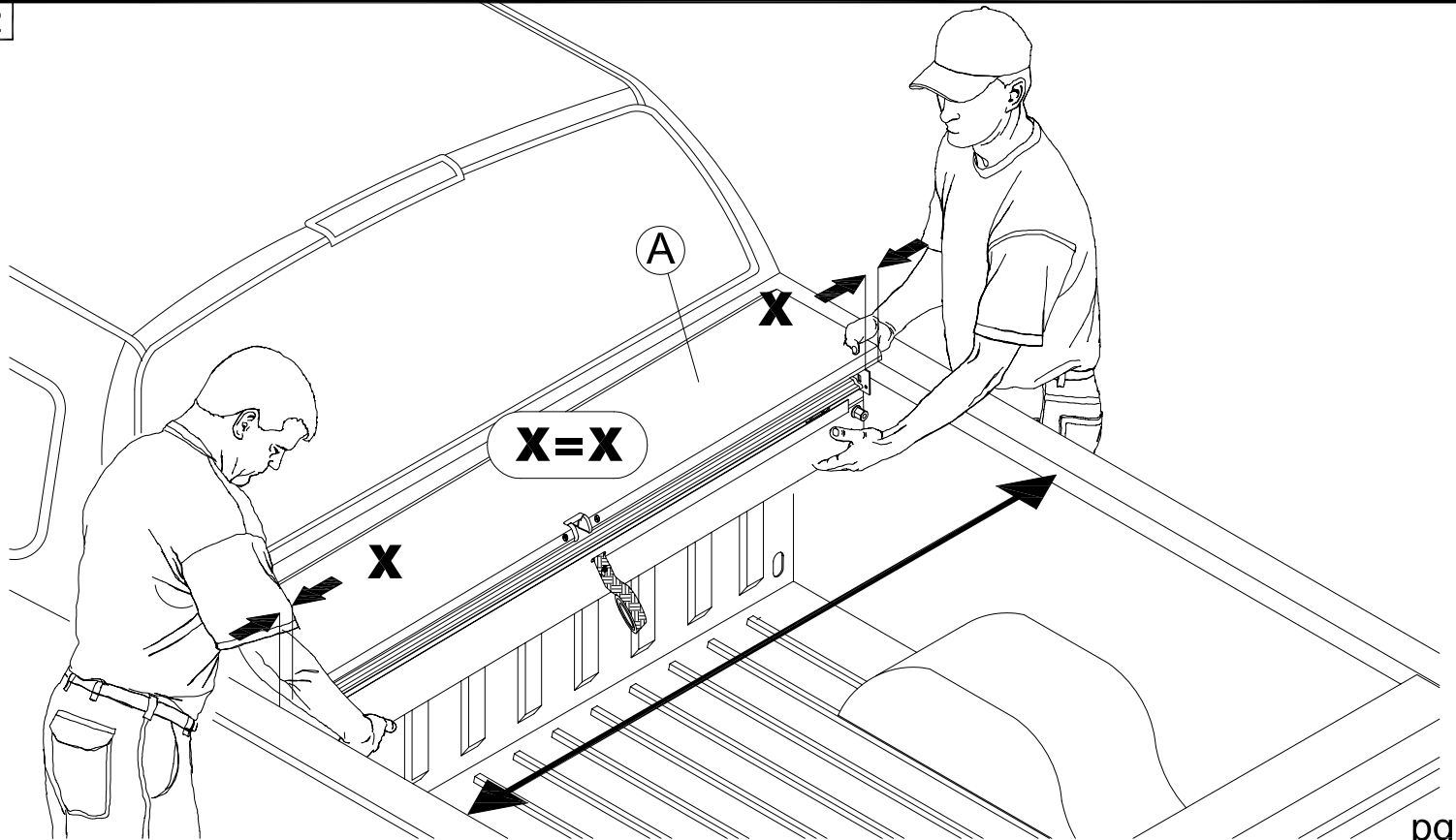
1c



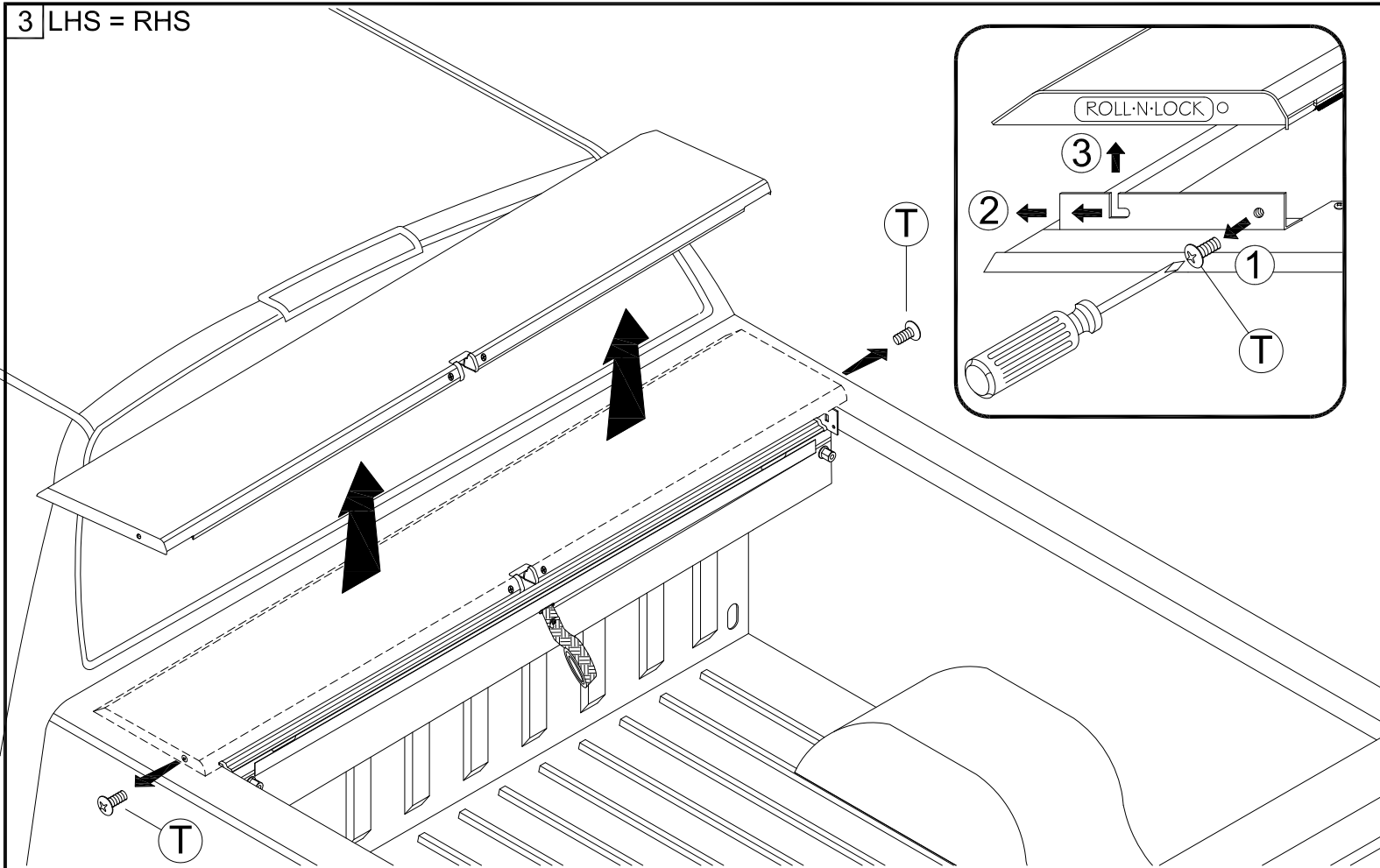
1 LHS = RHS



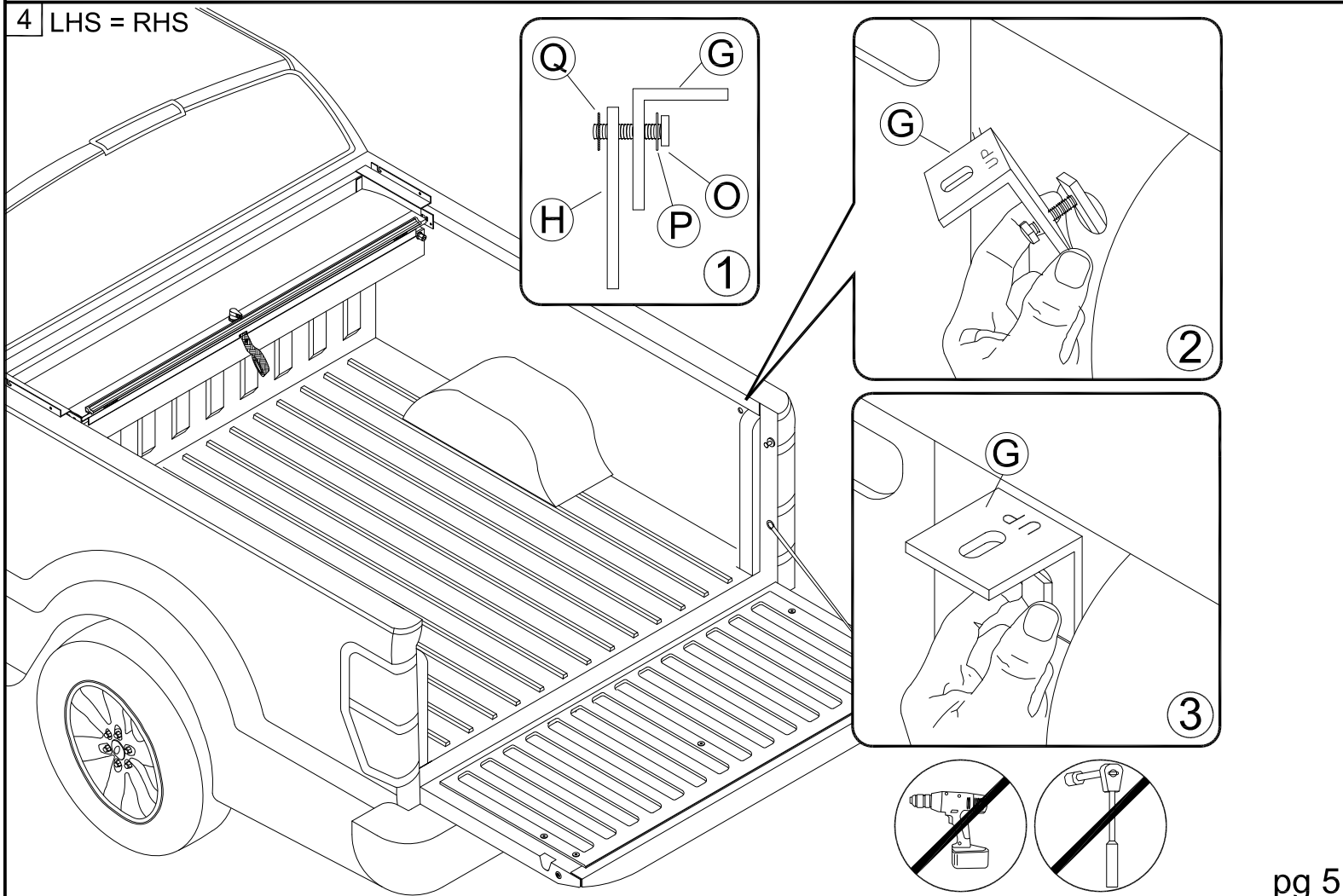
2



3 LHS = RHS

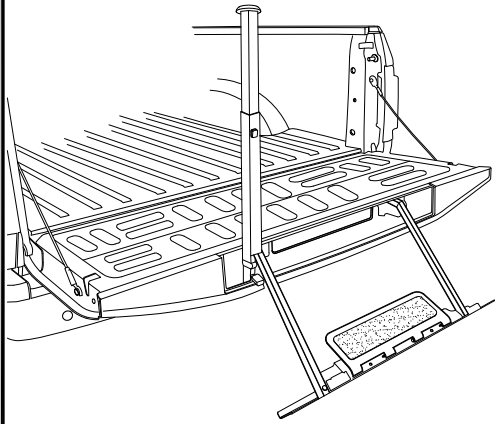


4 LHS = RHS

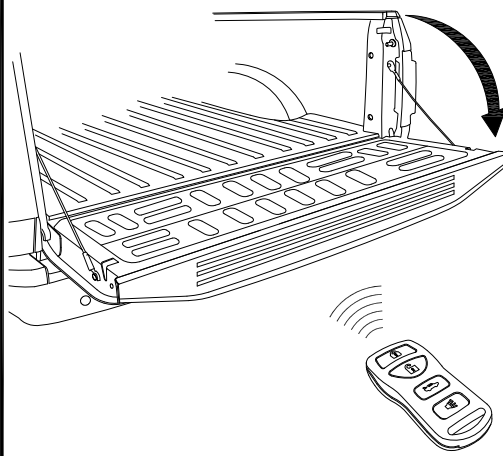




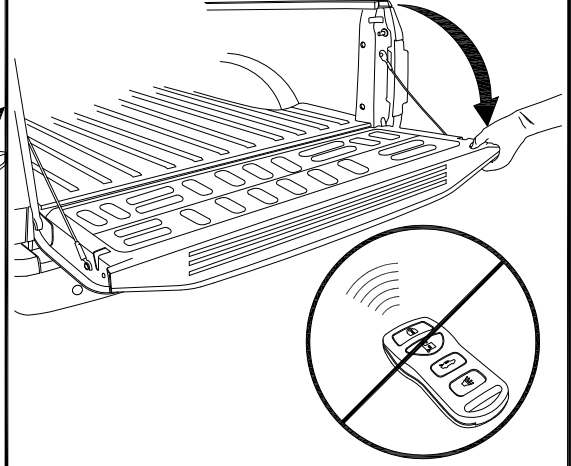
Tailgate Step:
GO TO STEP **5**



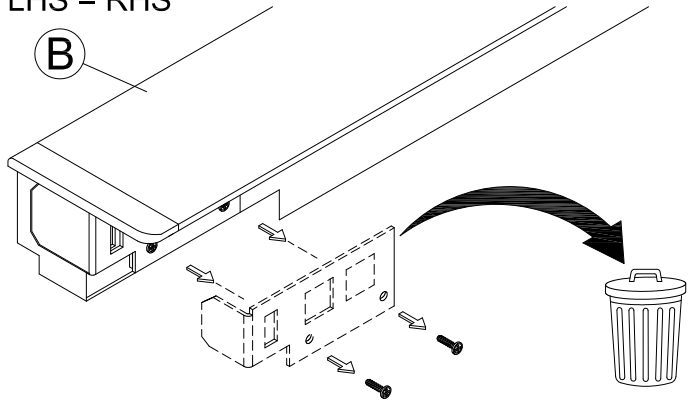
Automatic Tailgate Release:
GO TO STEP **5**



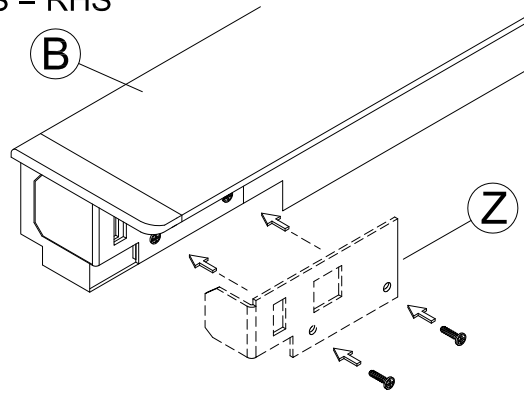
No Automatic Tailgate Release:
GO TO STEP **5A**



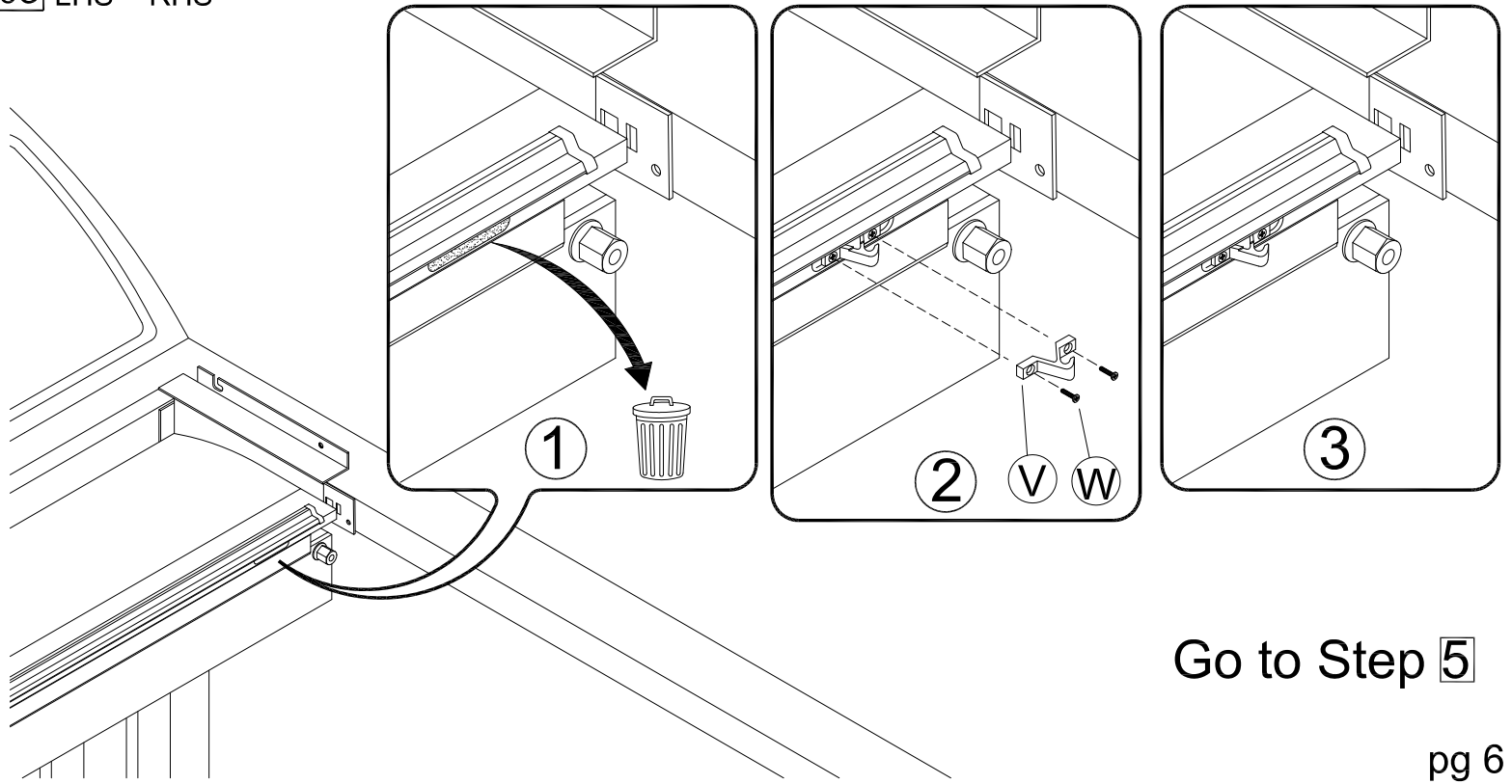
5A LHS = RHS



5B LHS = RHS

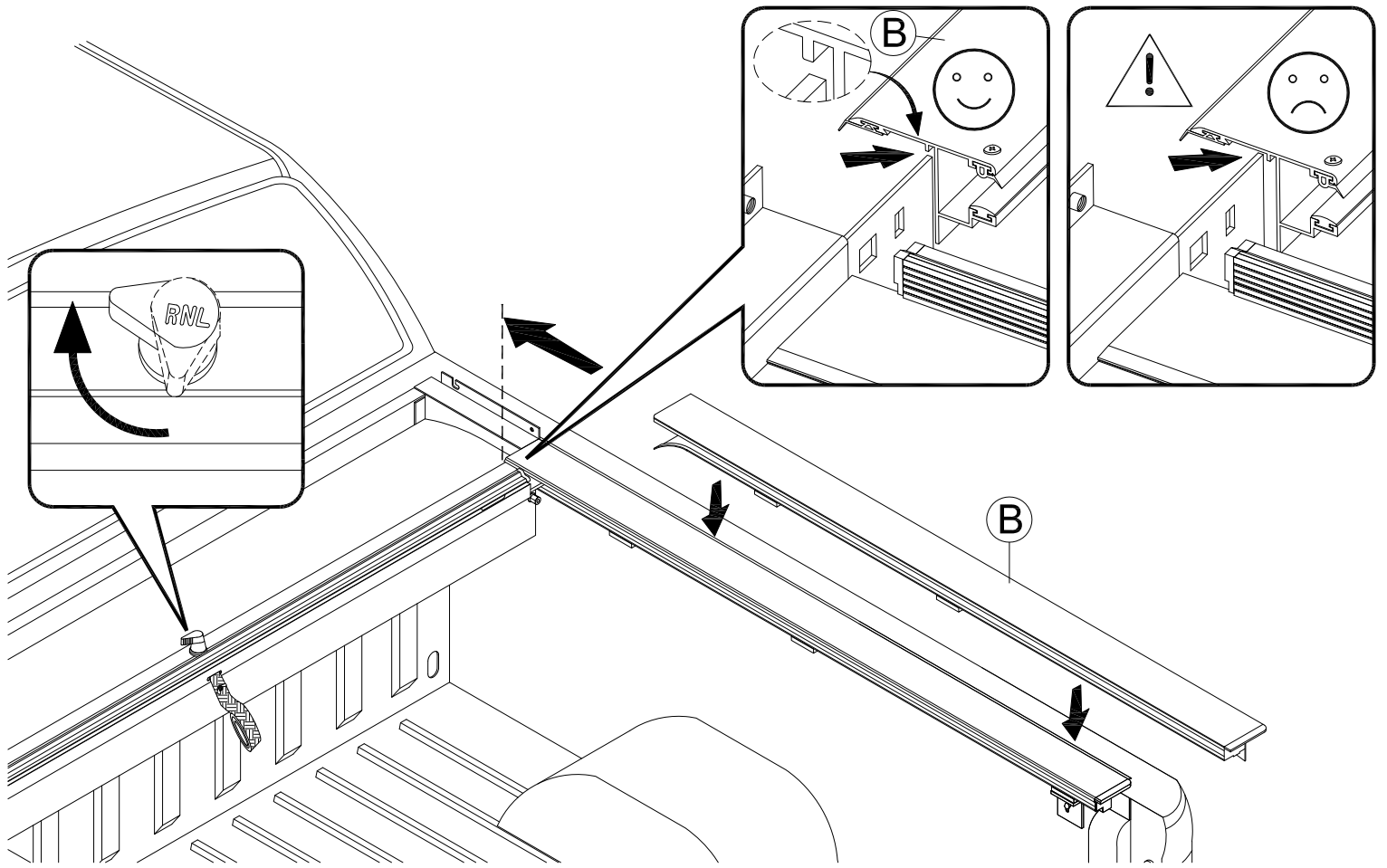


5C LHS = RHS

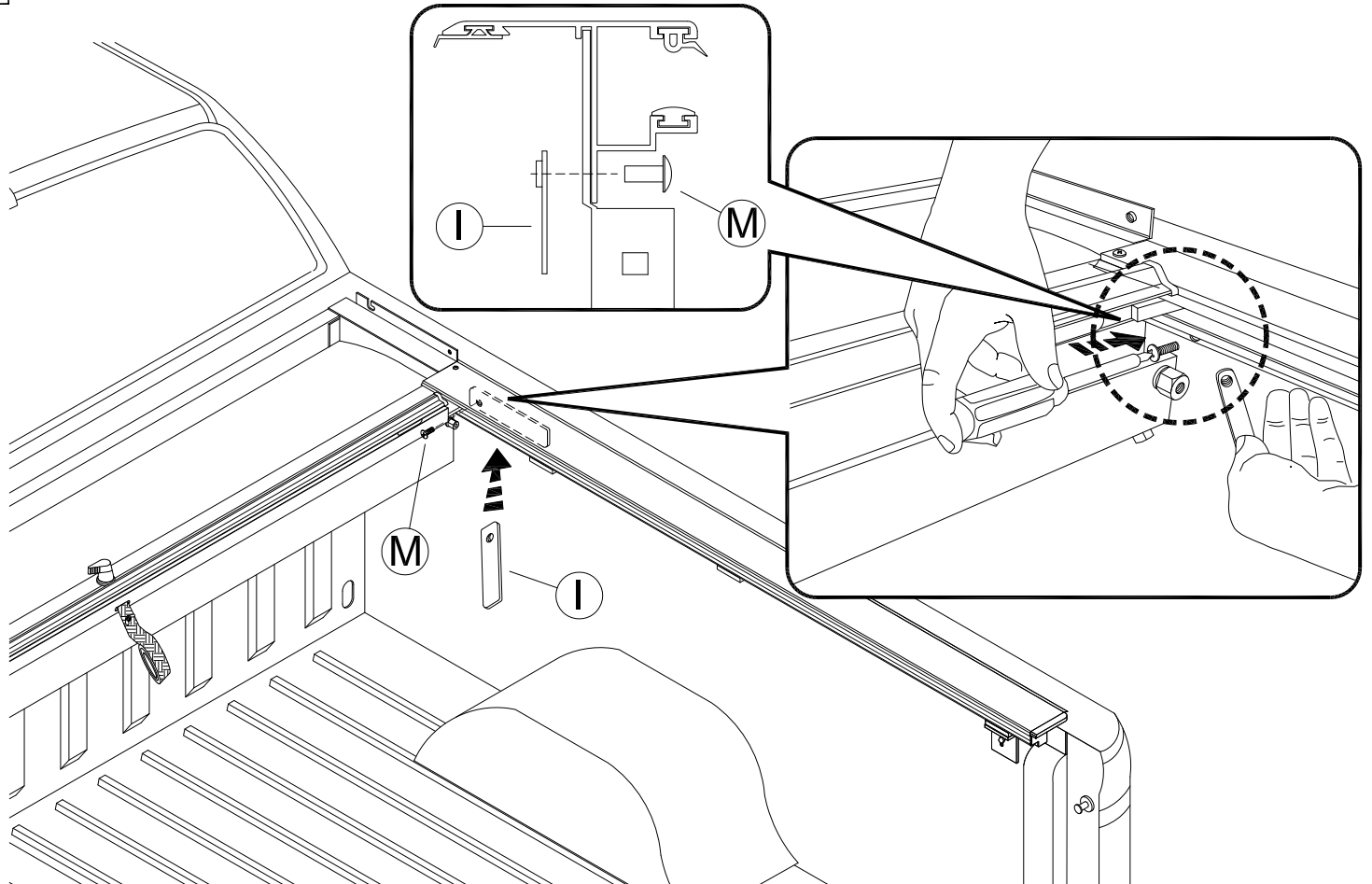


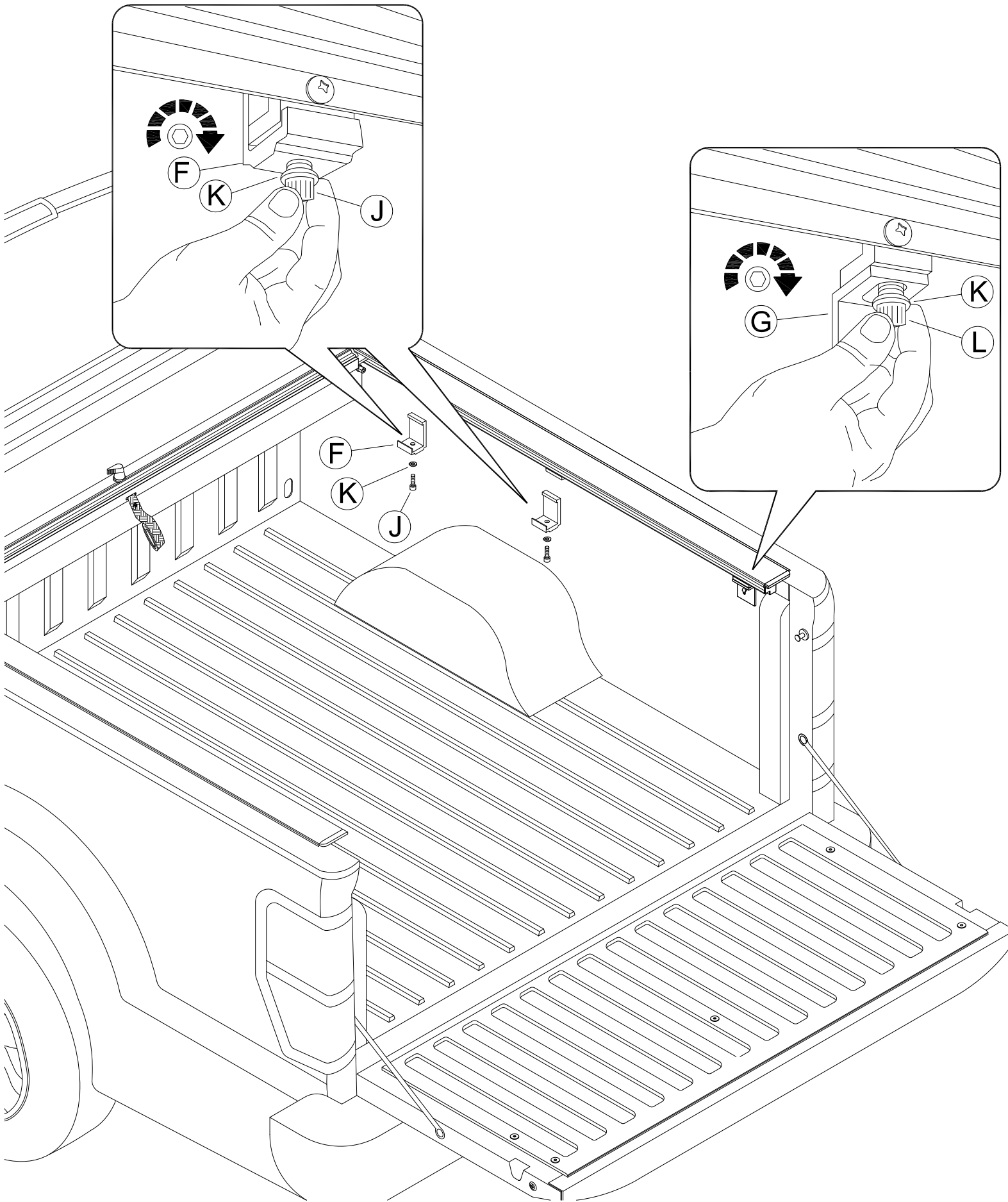
Go to Step **5**

5 LHS = RHS



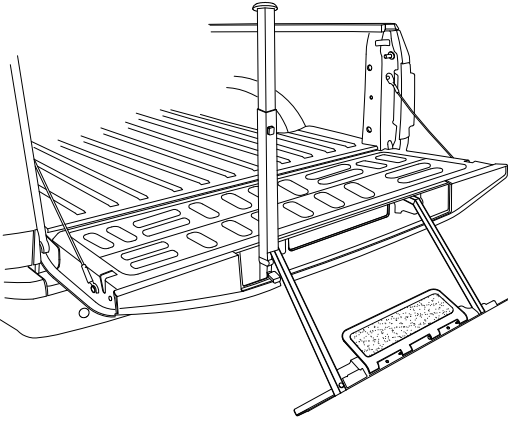
6 LHS = RHS



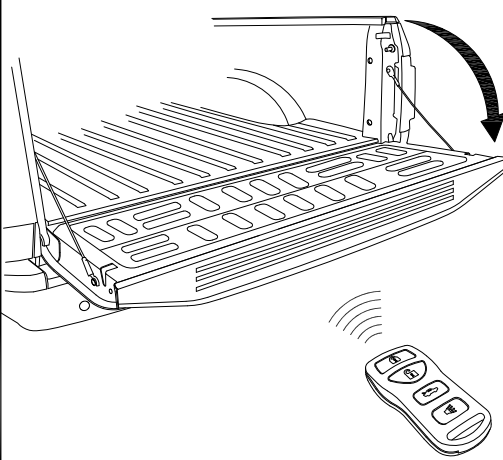


Note: 6.5' and 8' beds include 4 sets of clamps

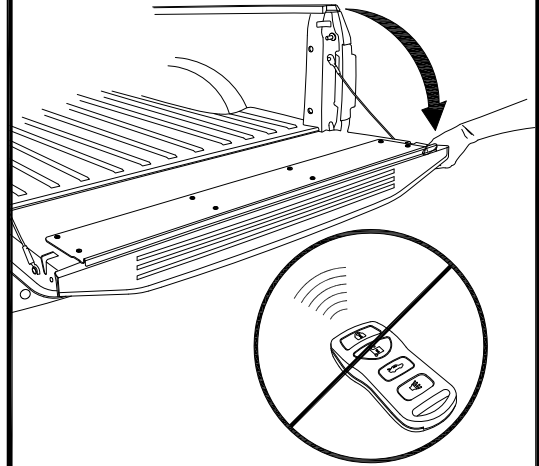
Integral Tailgate Step:
GO TO STEP 8



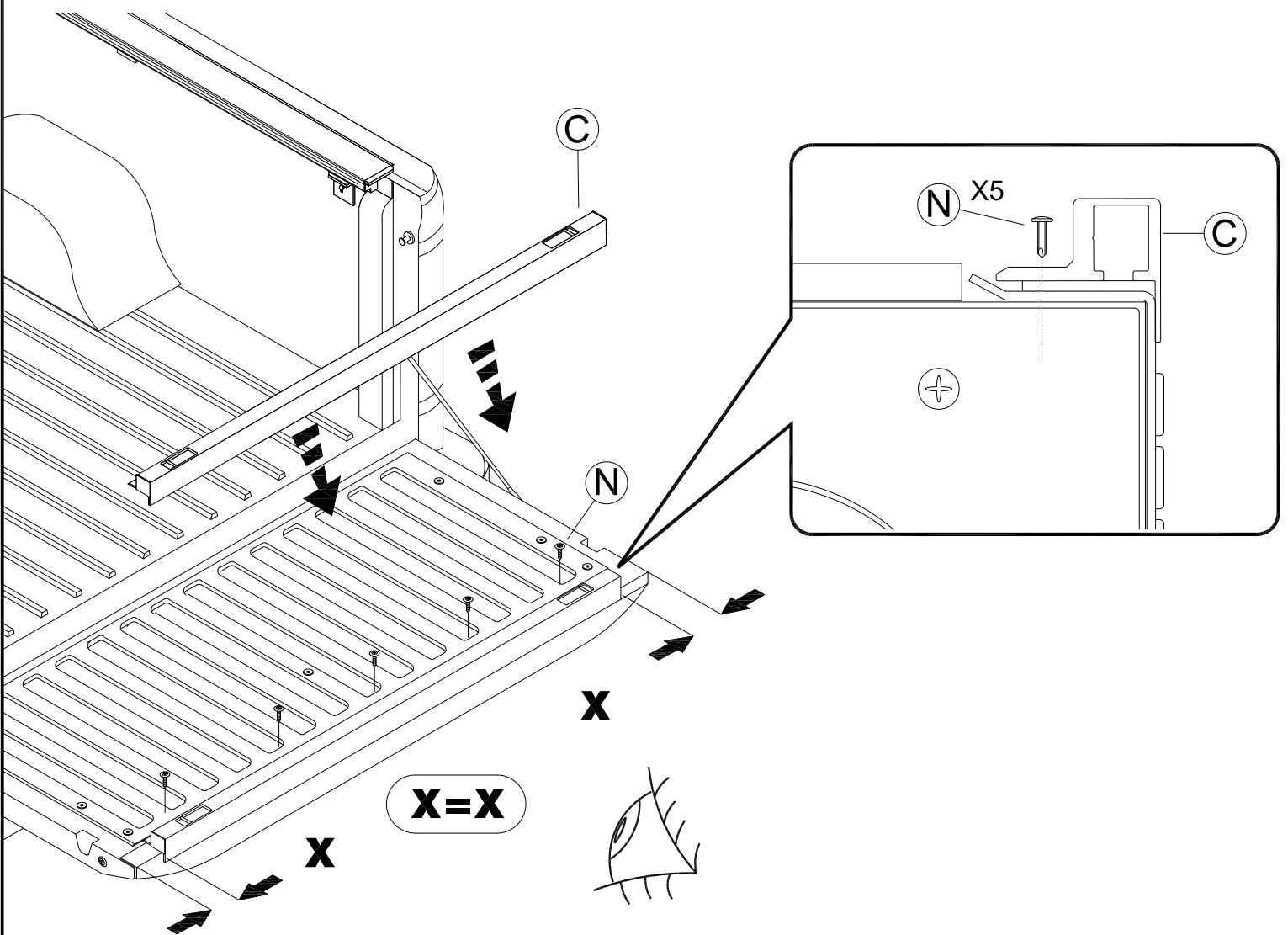
Automatic Release Tailgate:
GO TO STEP 8

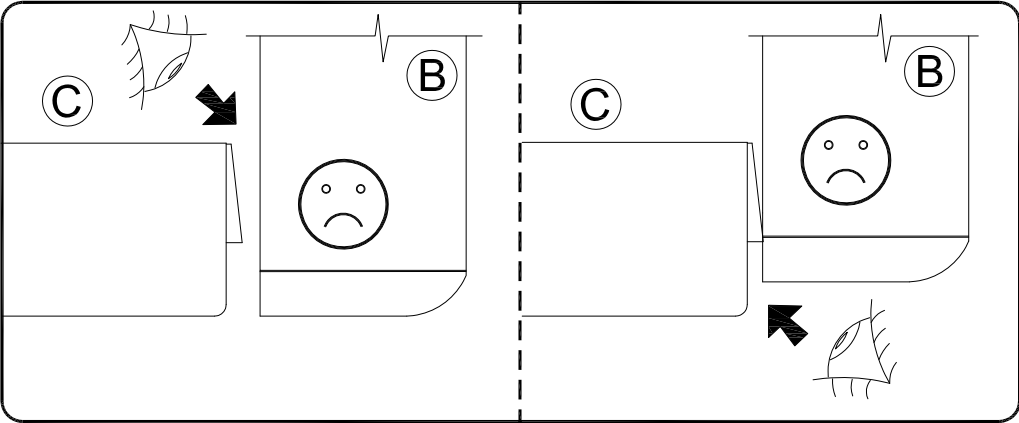
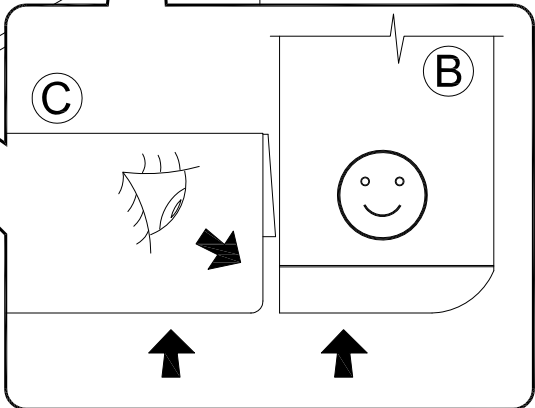
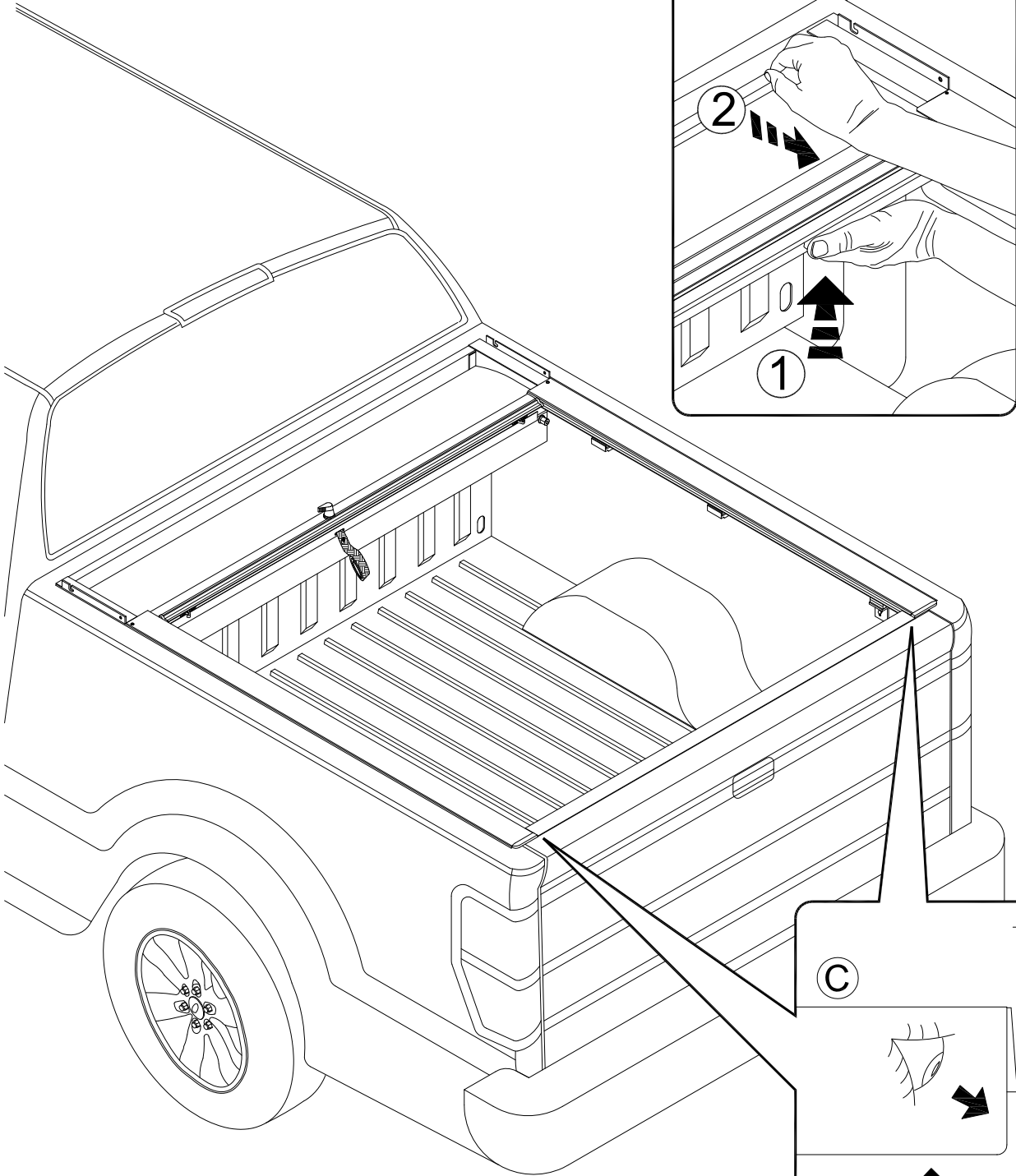


No Integral Tailgate Step or Automatic Release:
GO TO STEP 8A



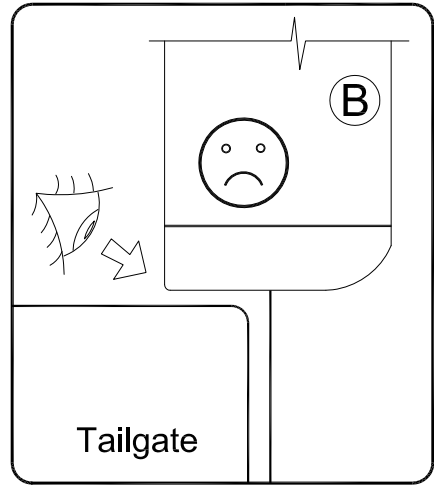
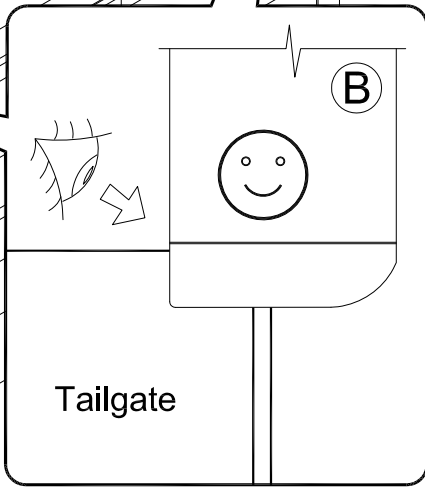
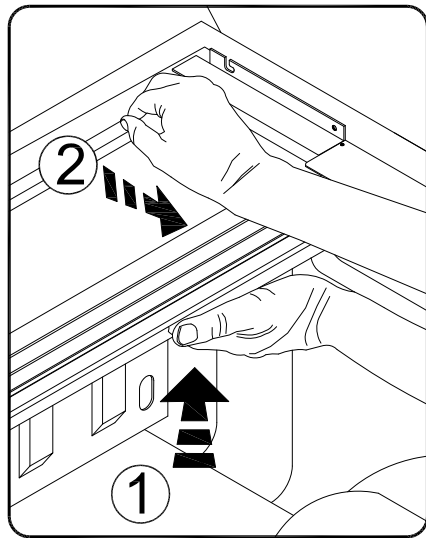
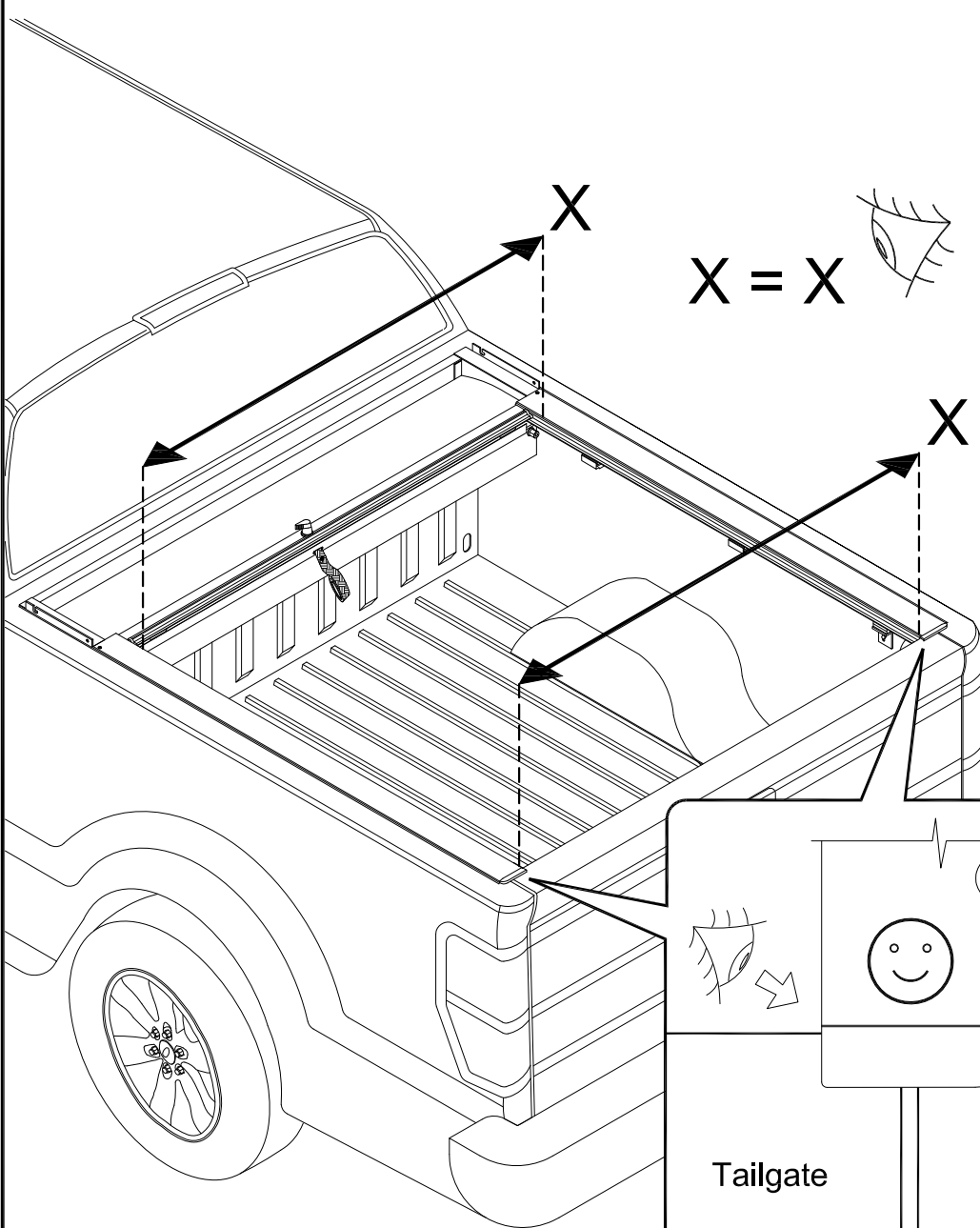
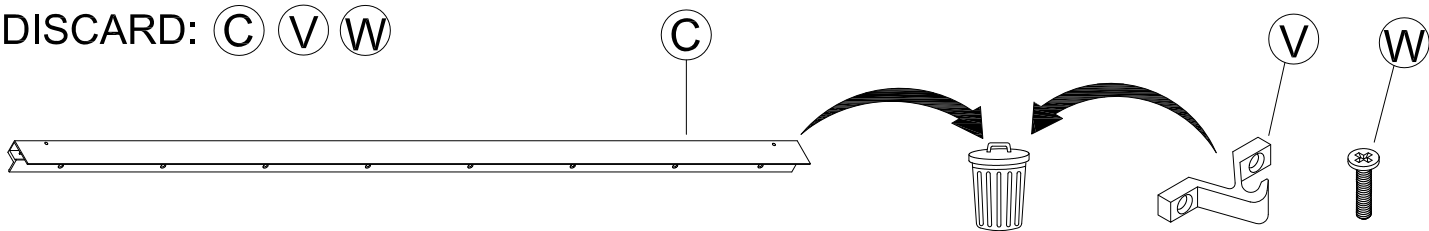
8A



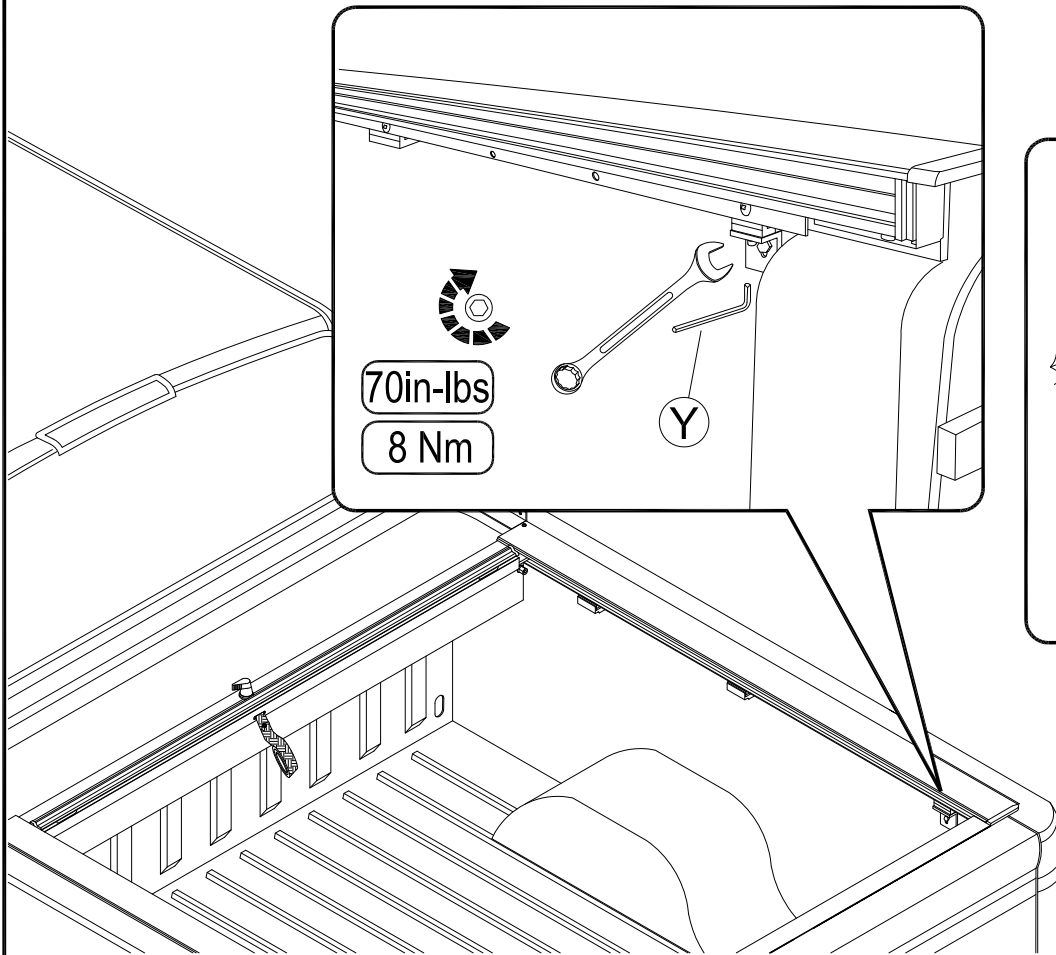


Go to Step 9

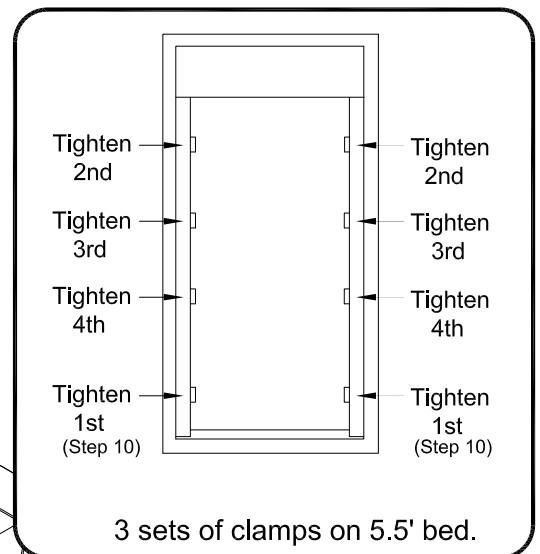
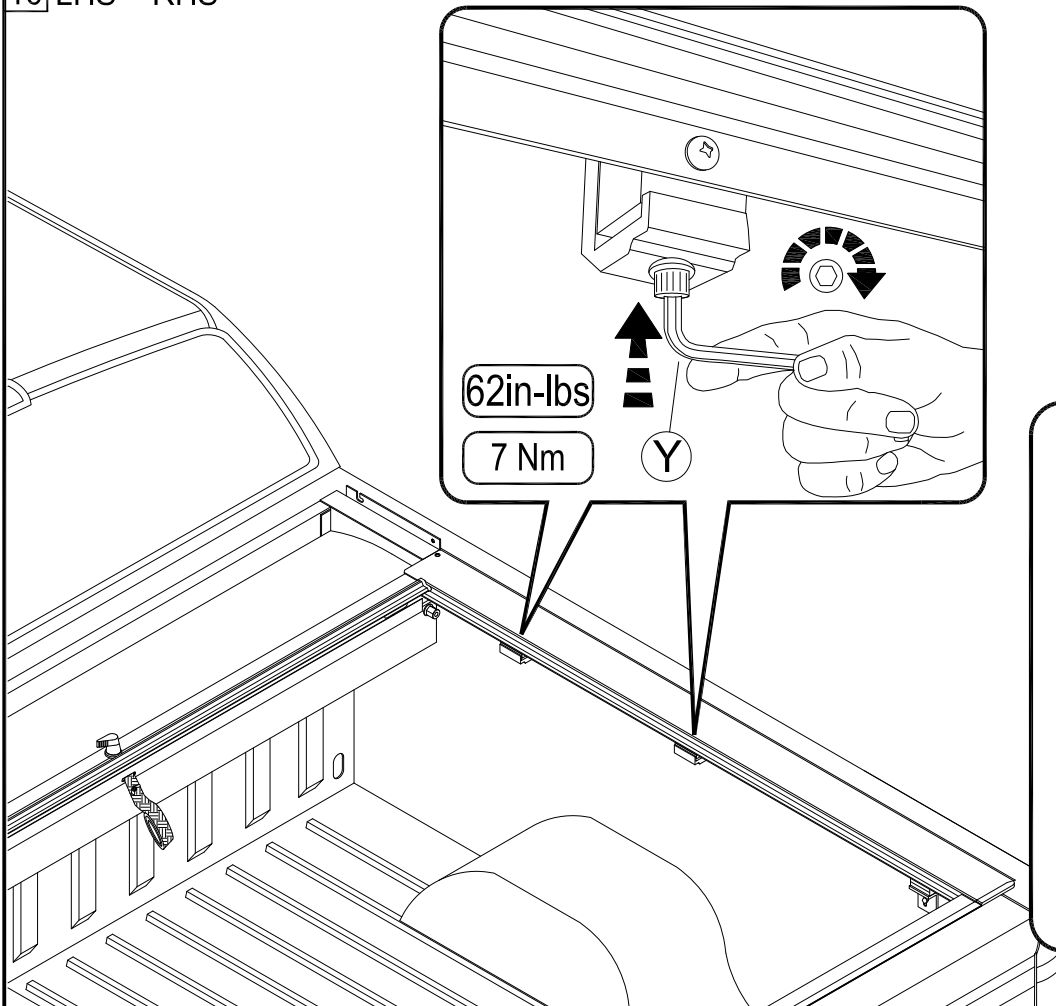
DISCARD: (C) (V) (W)



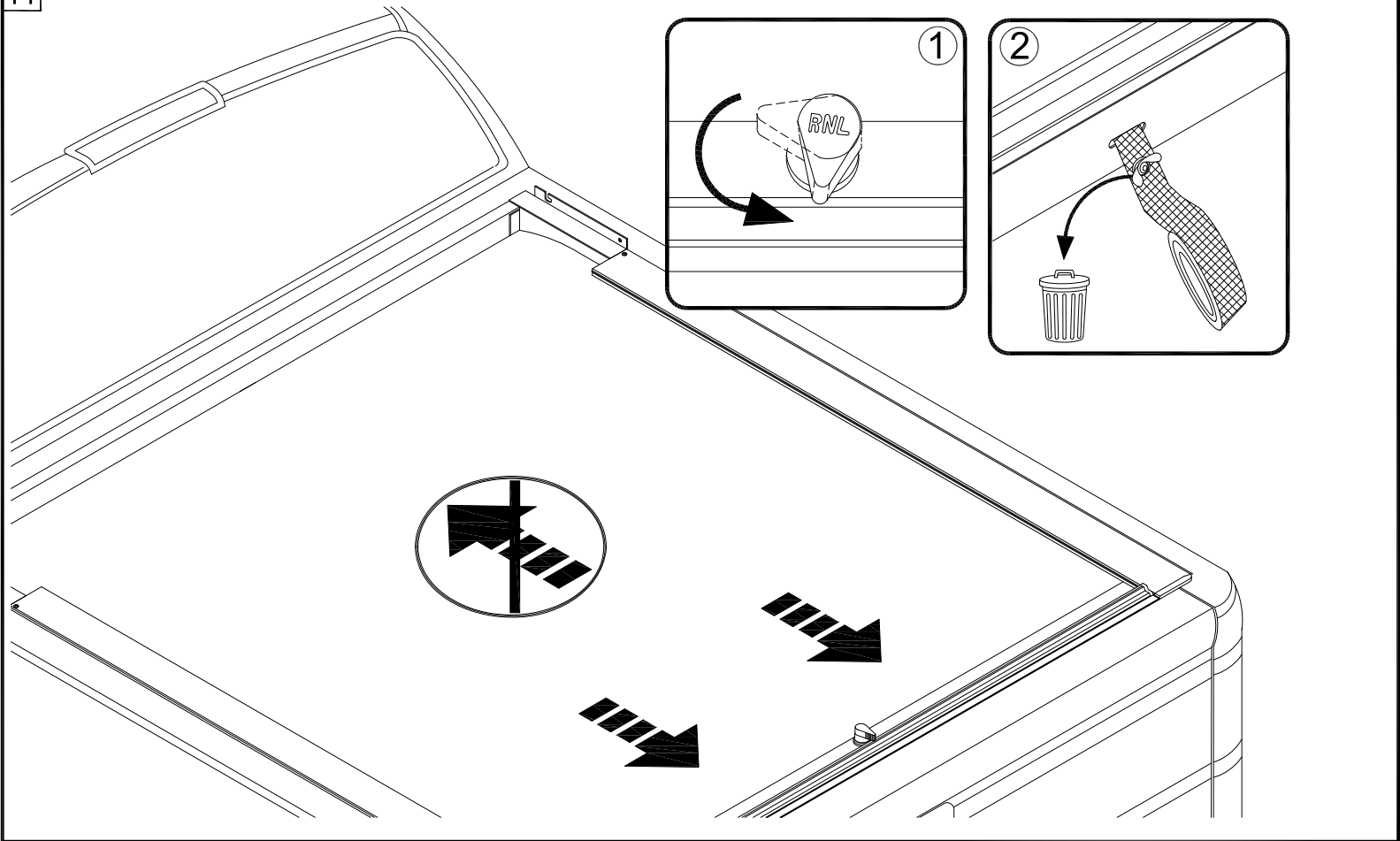
9 LHS = RHS



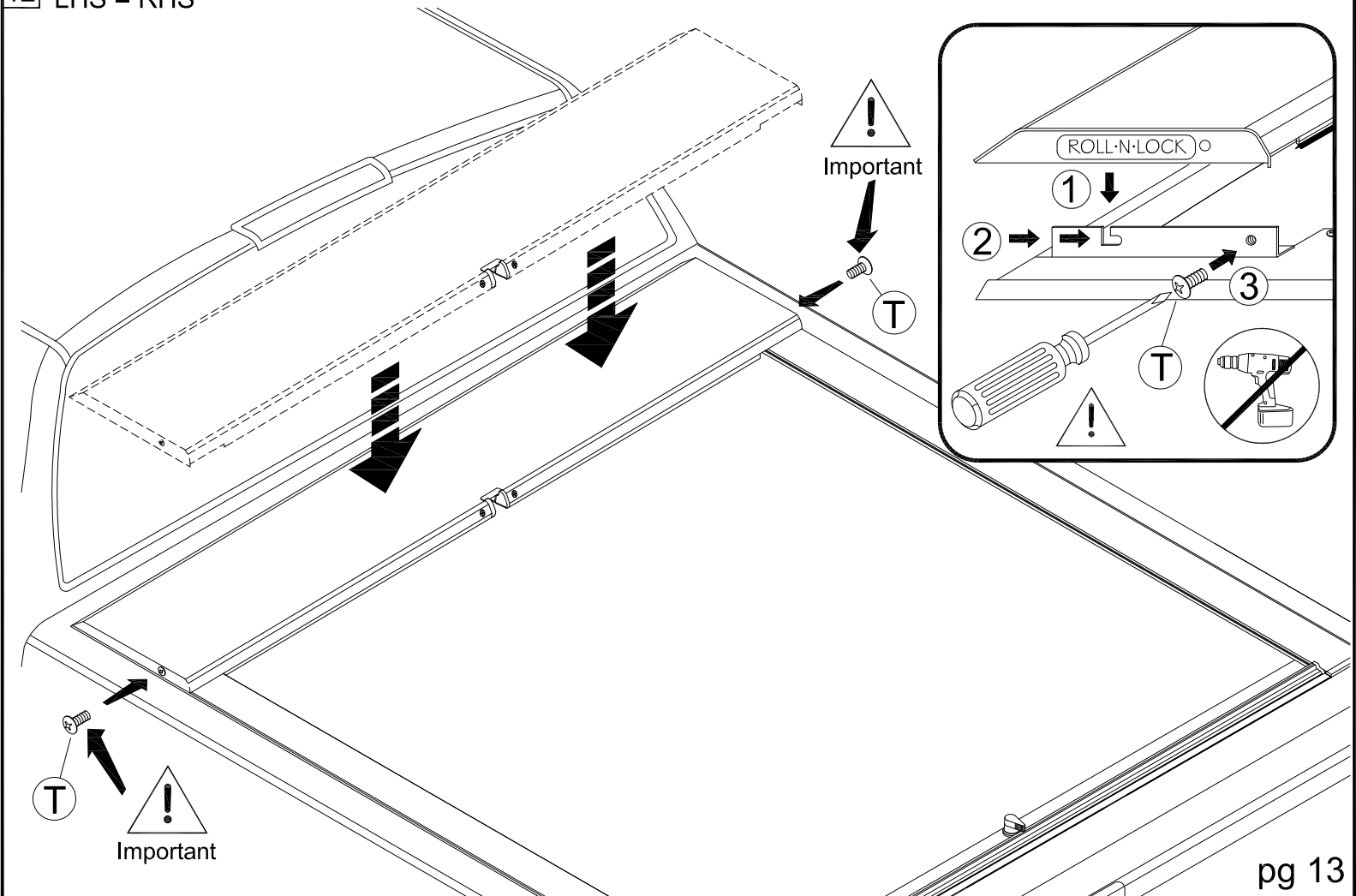
10 LHS = RHS



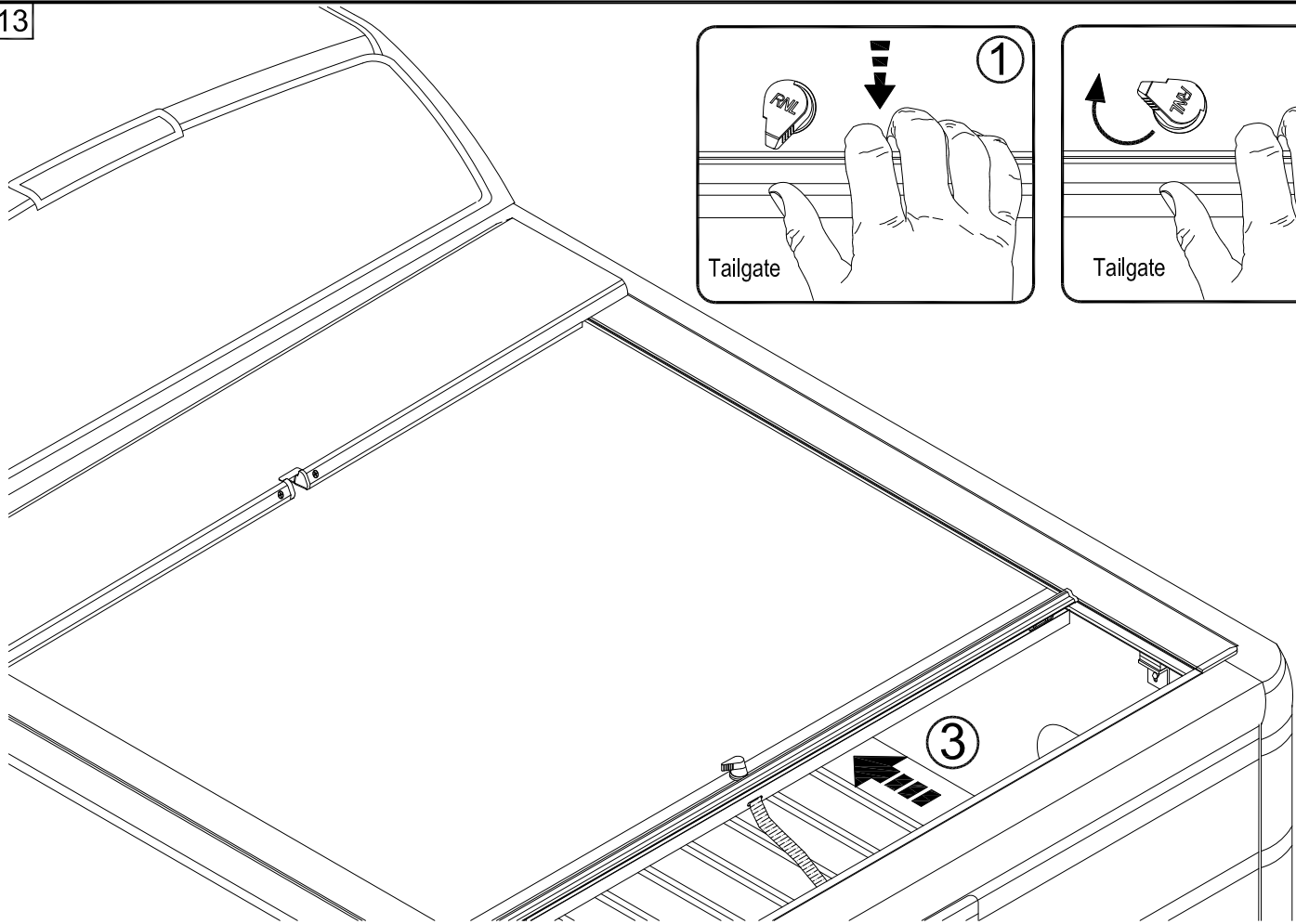
11



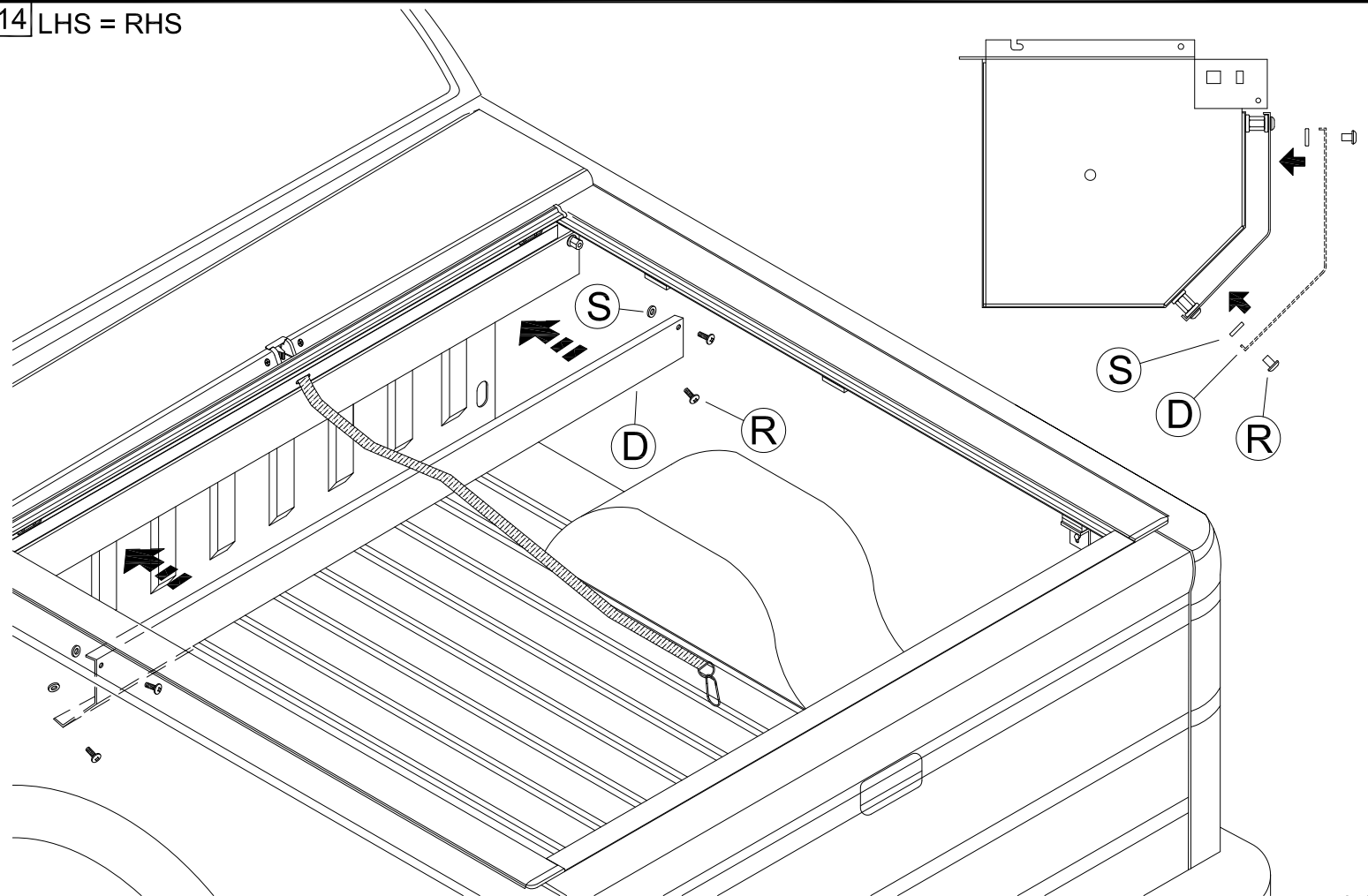
12 LHS = RHS

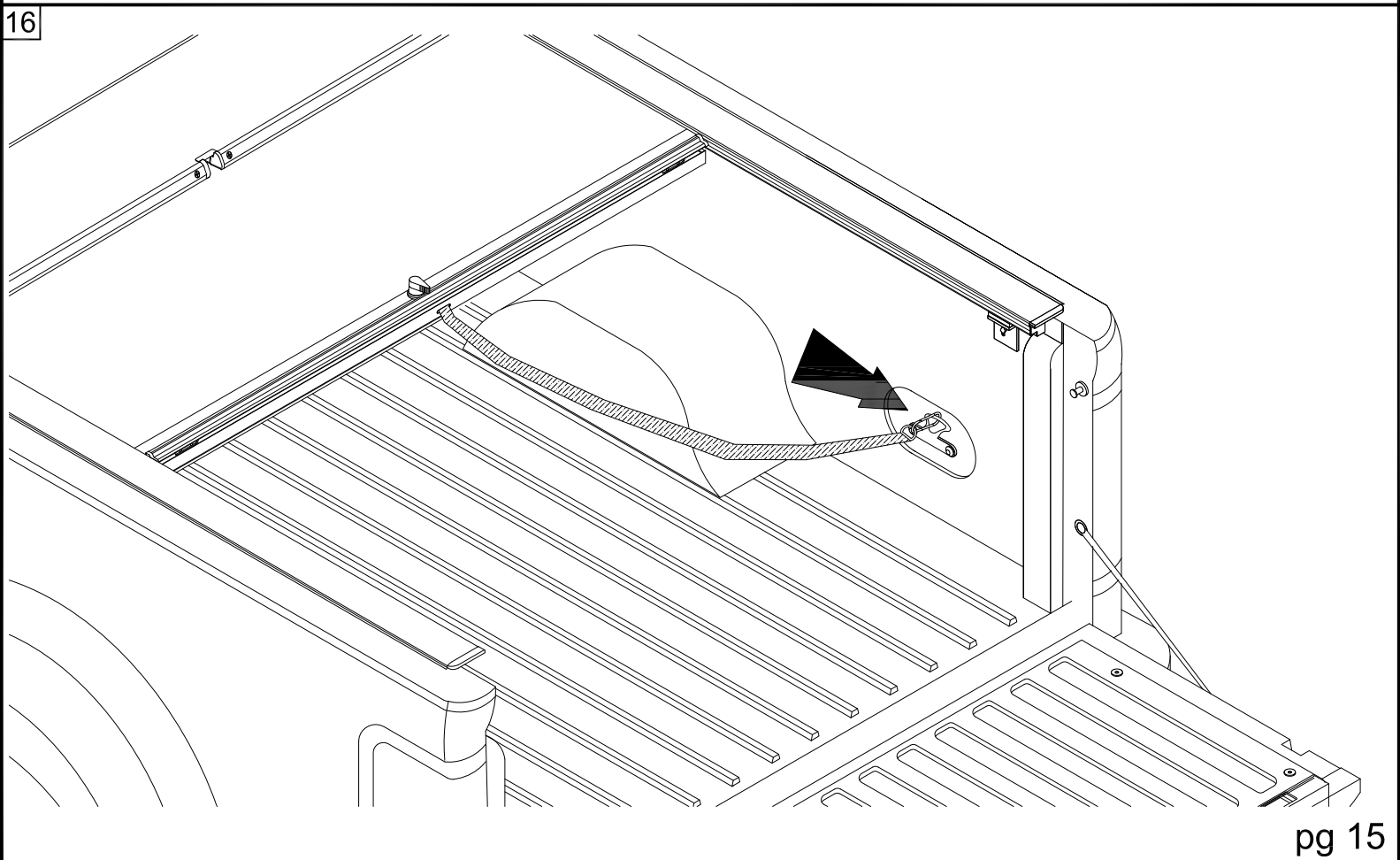
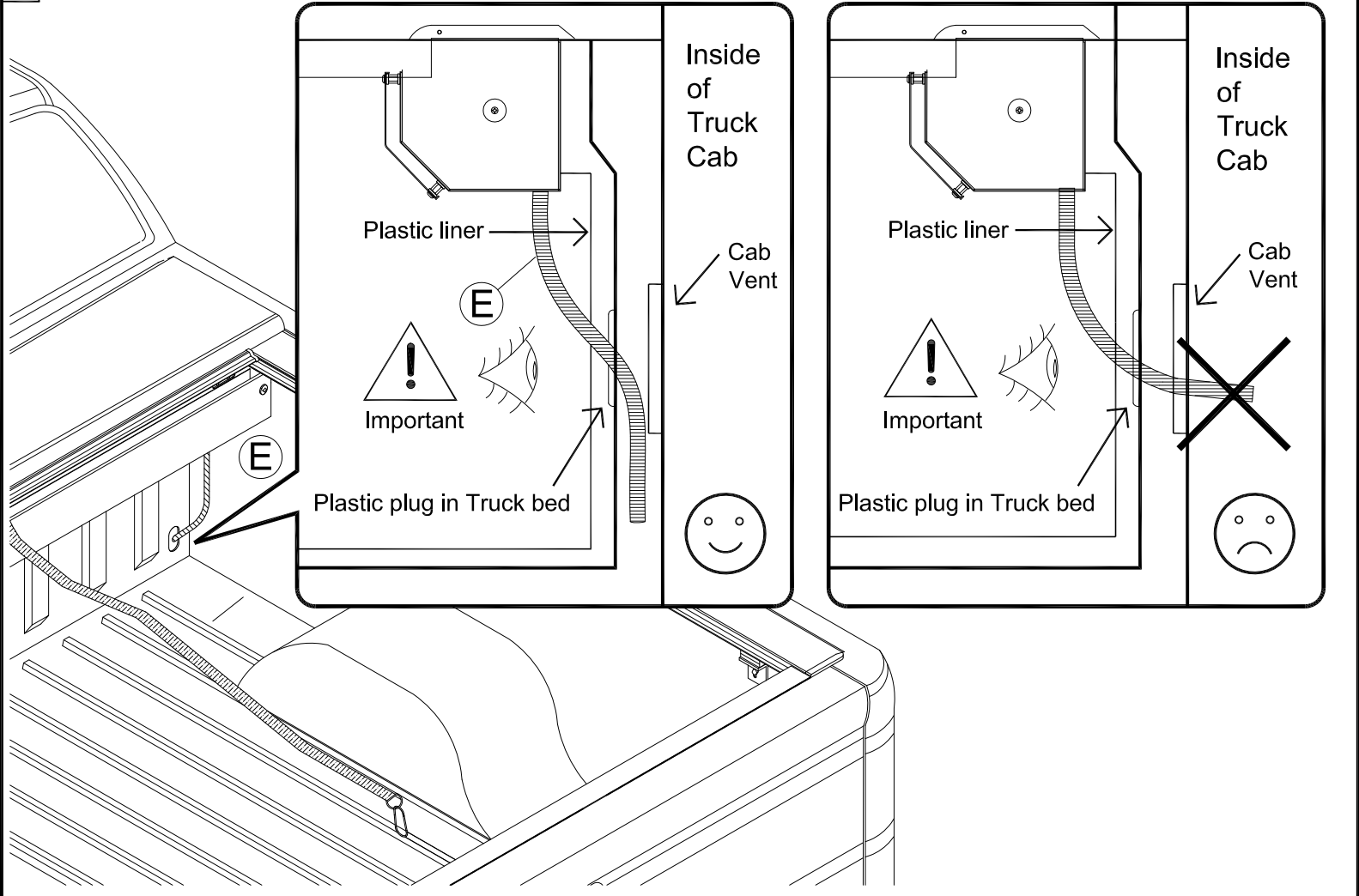


13



14 LHS = RHS







Questions?

Please call Roll•N•Lock Customer Service
at 800-952-7655 or visit rollnlock.com