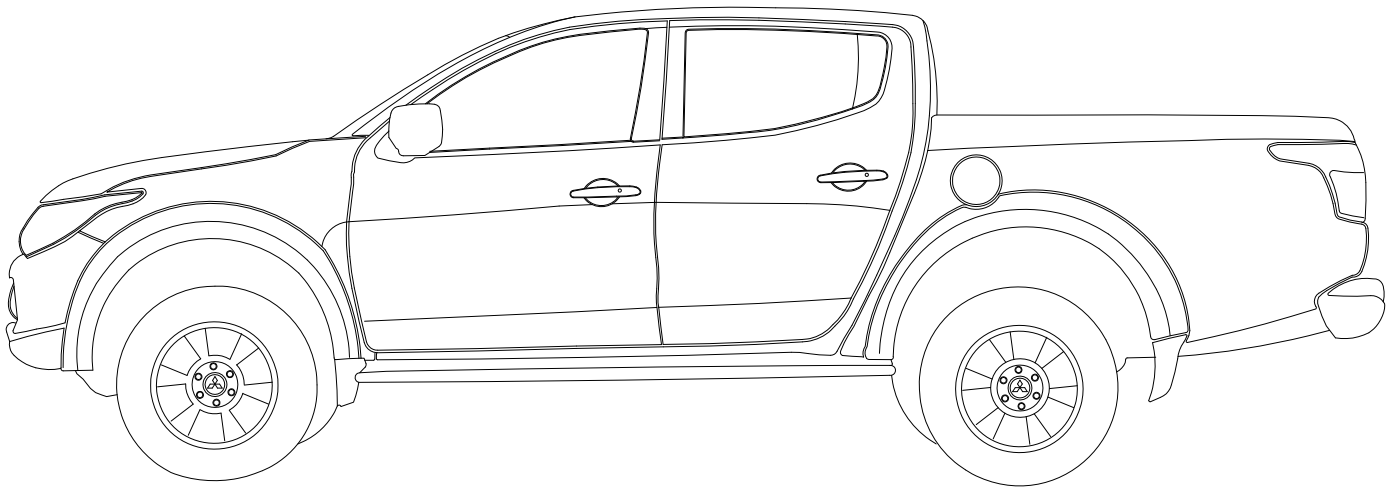




Installation Guide

2016 L200 Mitsubishi

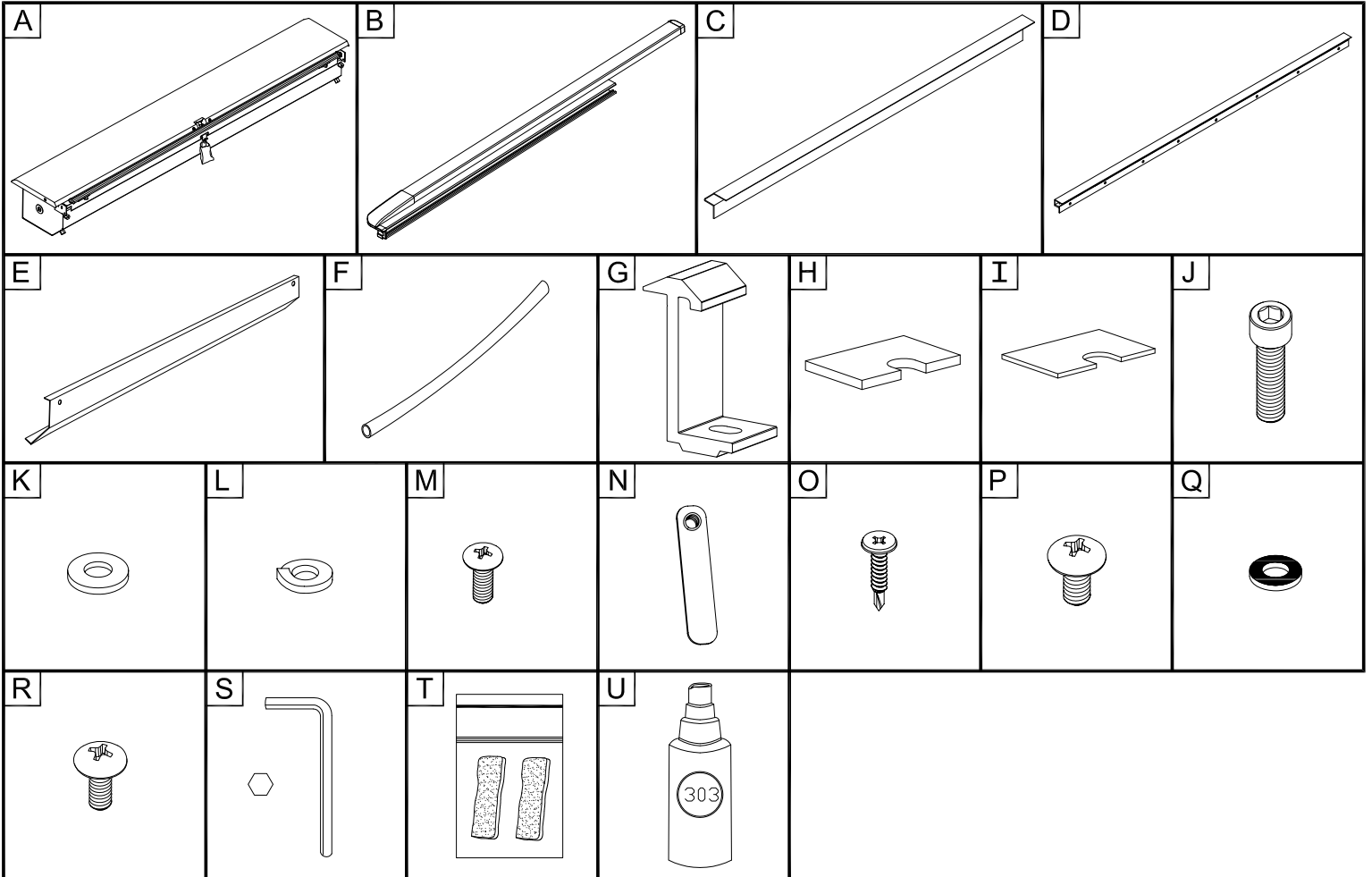


Product Code:
614

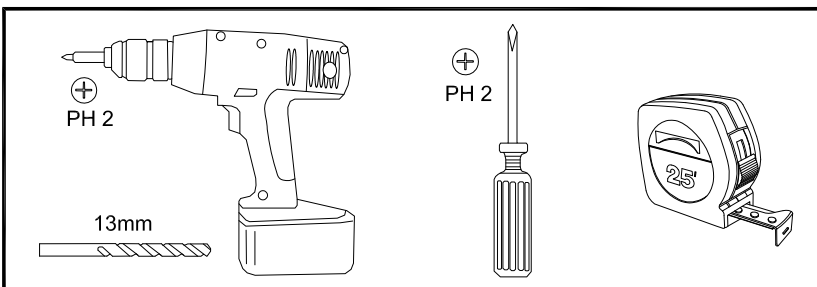
EN	Installation Guide
ES	Instrucciones de Instalación
DE	Montageanleitung
IT	Istruzioni per l'installazione
FR	Les Instructions d'Installation
TH	คำแนะนำในการติดตั้ง
RU	Инструкция по установке
AR	تعليمات التثبيت

Parts List

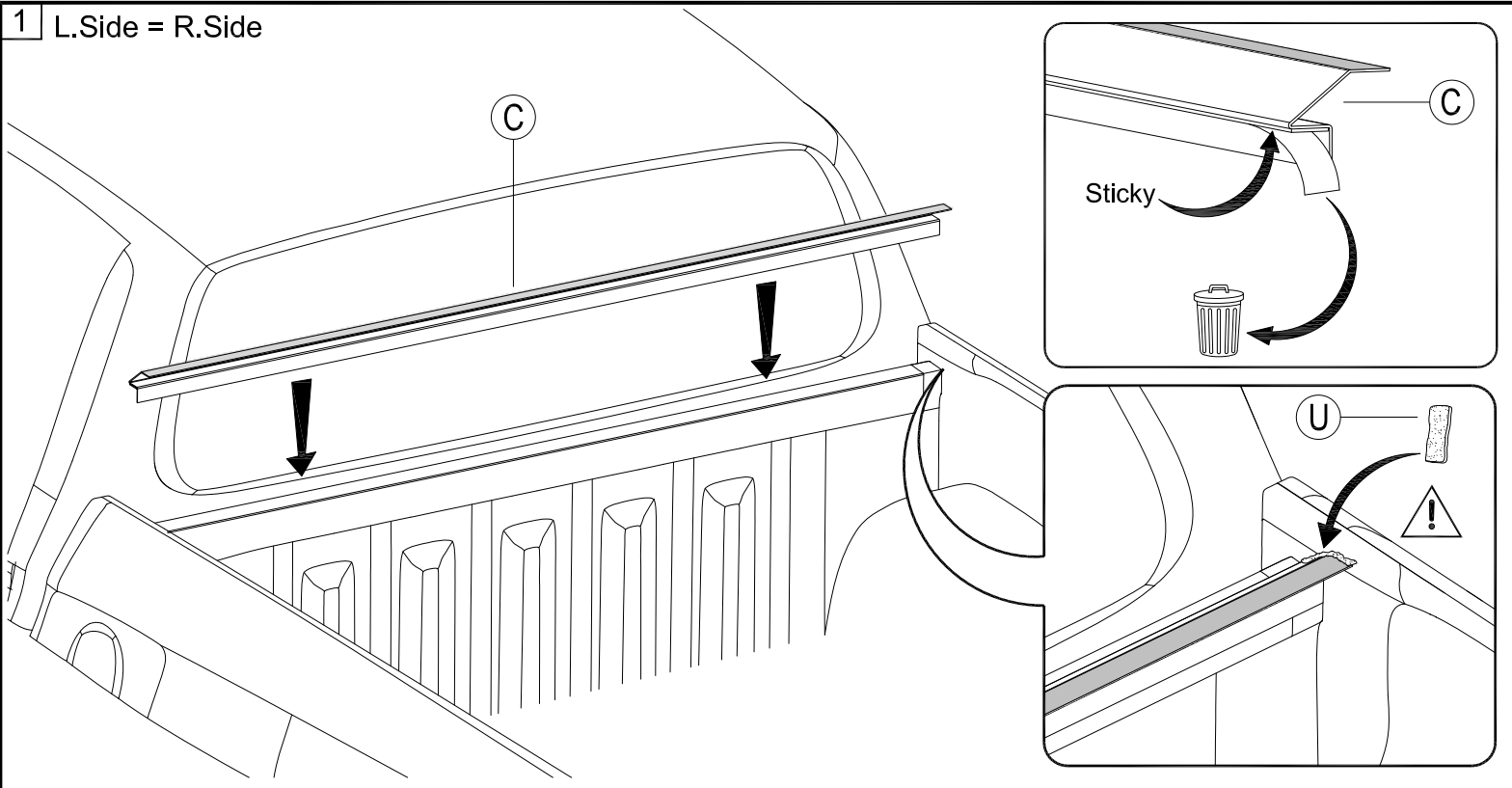
Item	Part Name	Qty.	Item	Part Name	Qty.	Item	Part Name	Qty.
A	Housing	1	H	1/8" Bed Clamp Shim	8	O	#8 x 3/4" Self Tap Screw	5
B	Track	2	I	1/16" Bed Clamp Shim	4	P	1/4-20 x 3/8" Screw	4
C	Bulk Head Flange	1	J	5/16" Socket Cap Screw	4	Q	Black Rubber Washer	4
D	Tailgate Extrusion	1	K	5/16" Flat Washer	4	R	1/4" Lid Screw Black	2
E	Cargo Shield	1	L	5/16" Lock Washer	4	S	1/4" Allen Wrench	1
F	Drain Tube	2	M	#10-24 x 1/2" Screw	2	T	Butyl Caulk Strips	1
G	Bed Clamp	4	N	Cargo Nut	2	U	303 Vinyl Protector	1



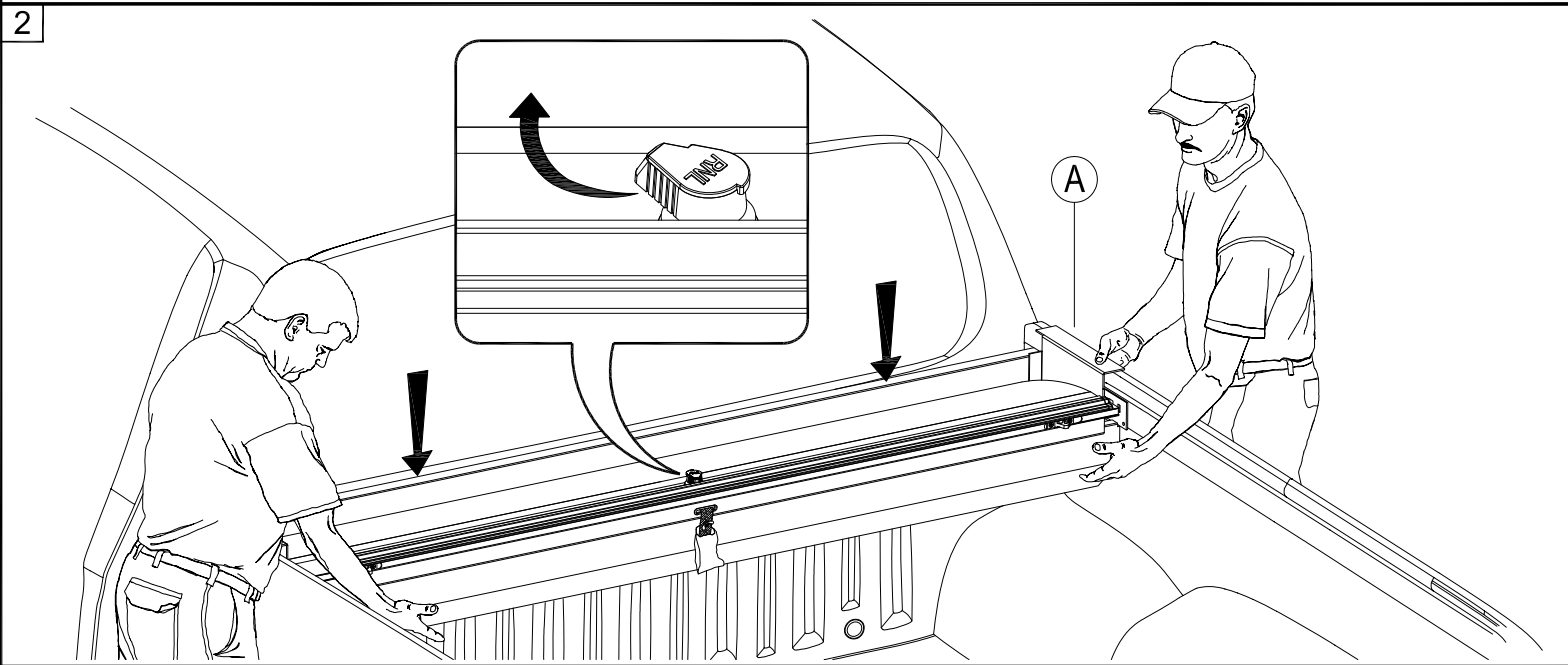
Tools Needed



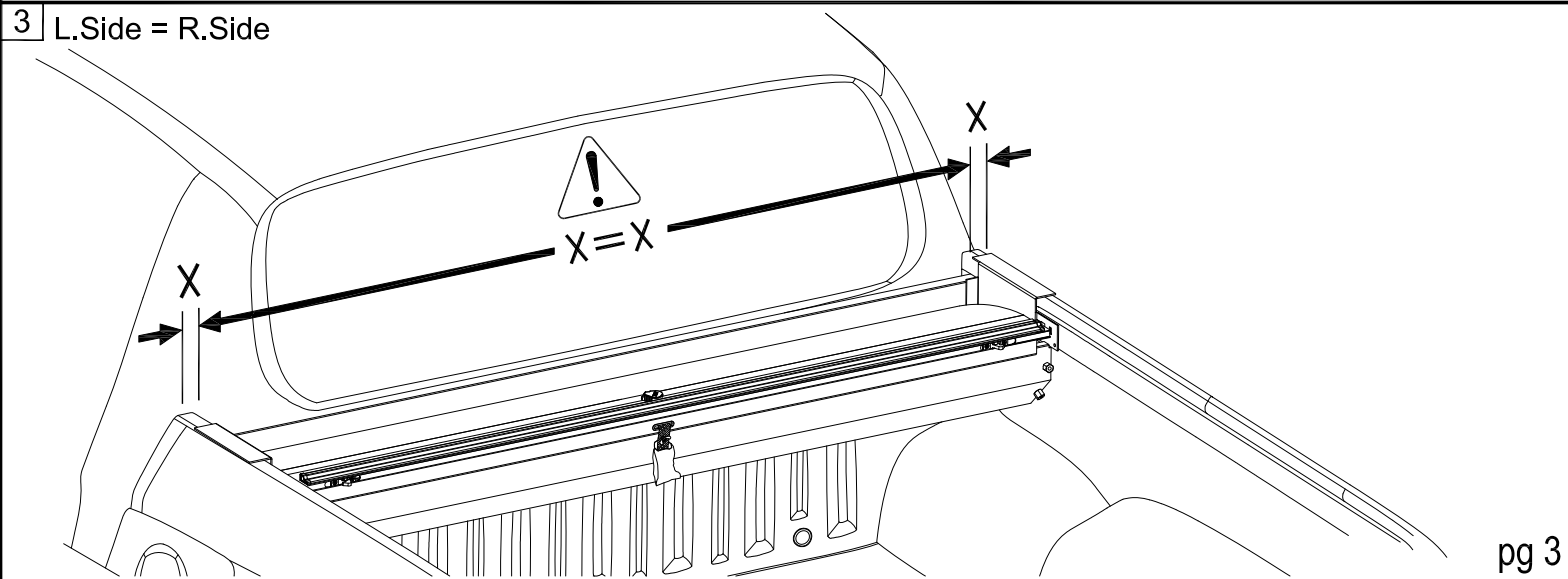
1 L.Side = R.Side

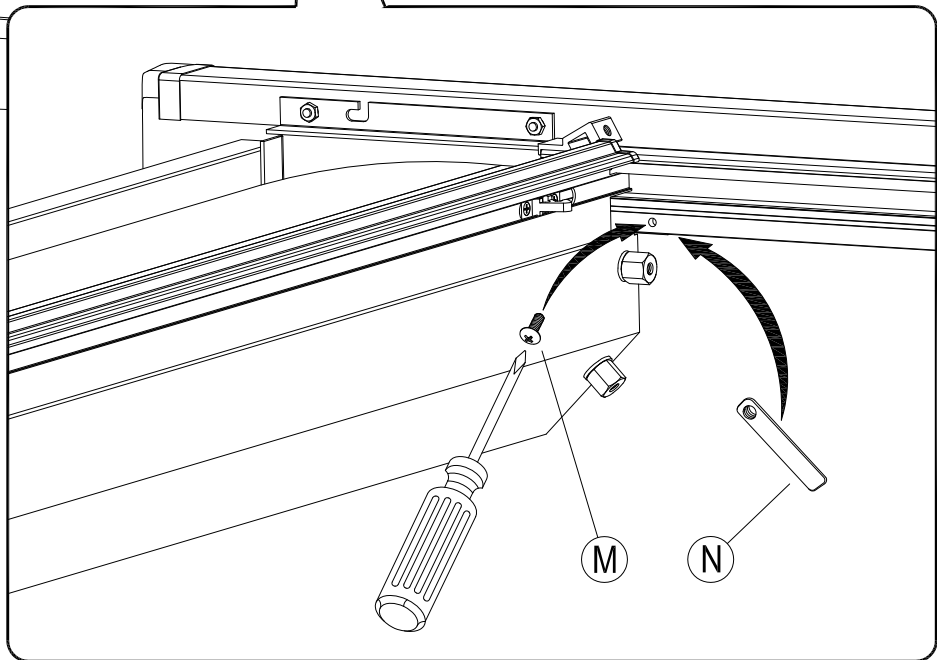
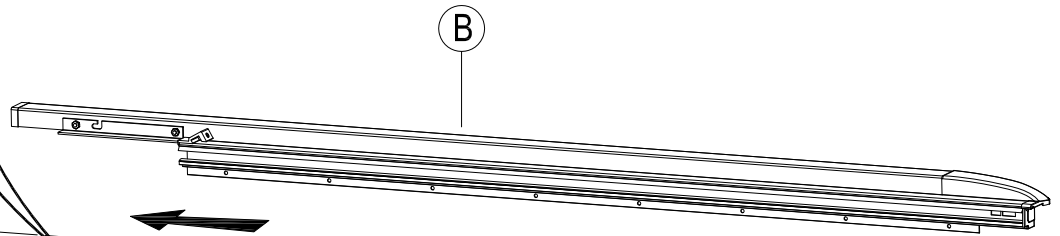
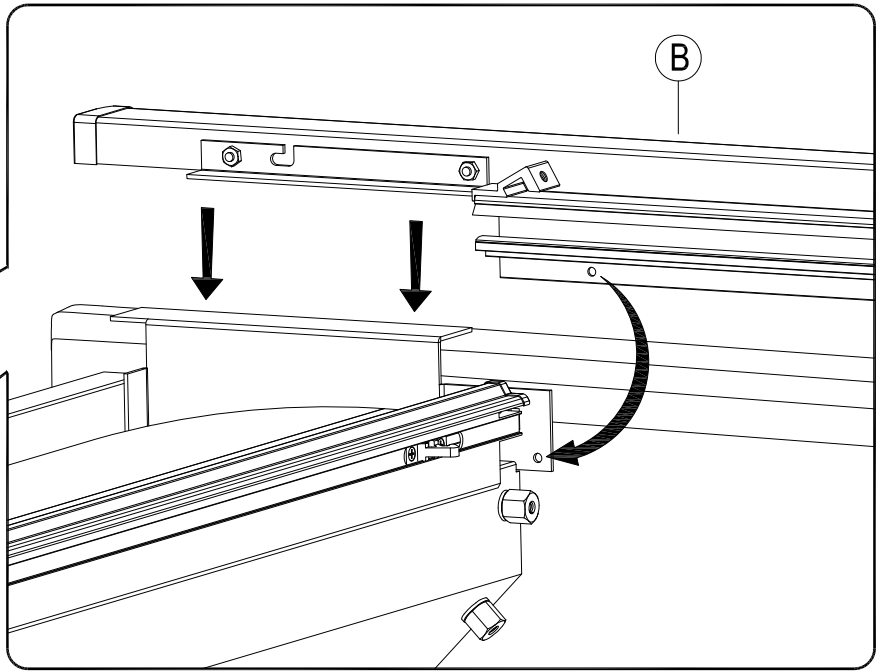
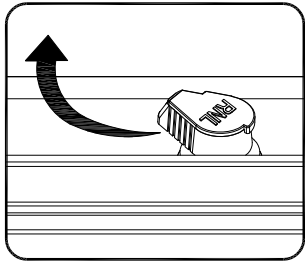


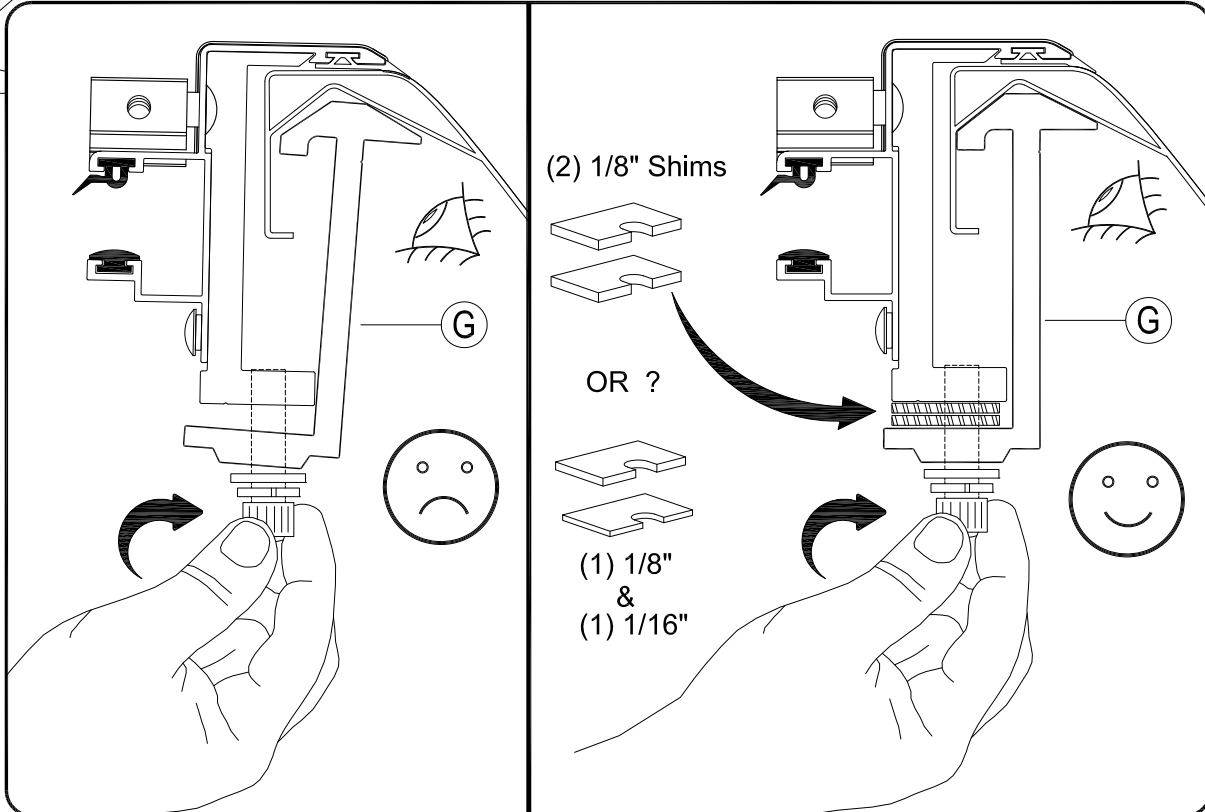
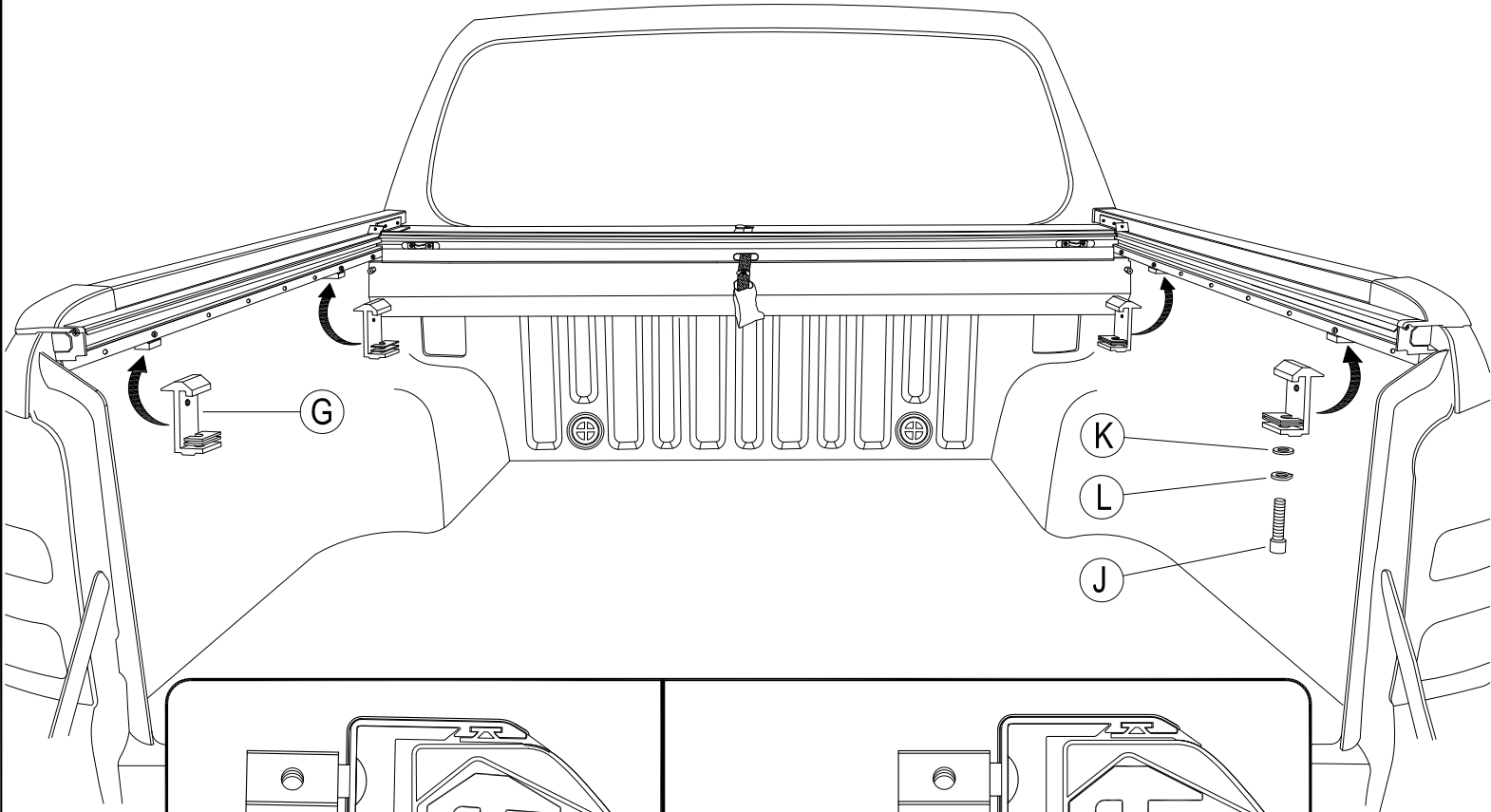
2



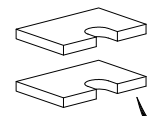
3 L.Side = R.Side



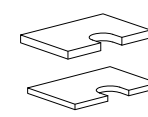




(2) 1/8" Shims

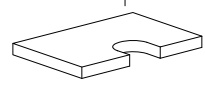


OR ?



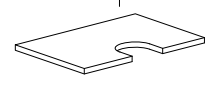
(1) 1/8"
&
(1) 1/16"

H

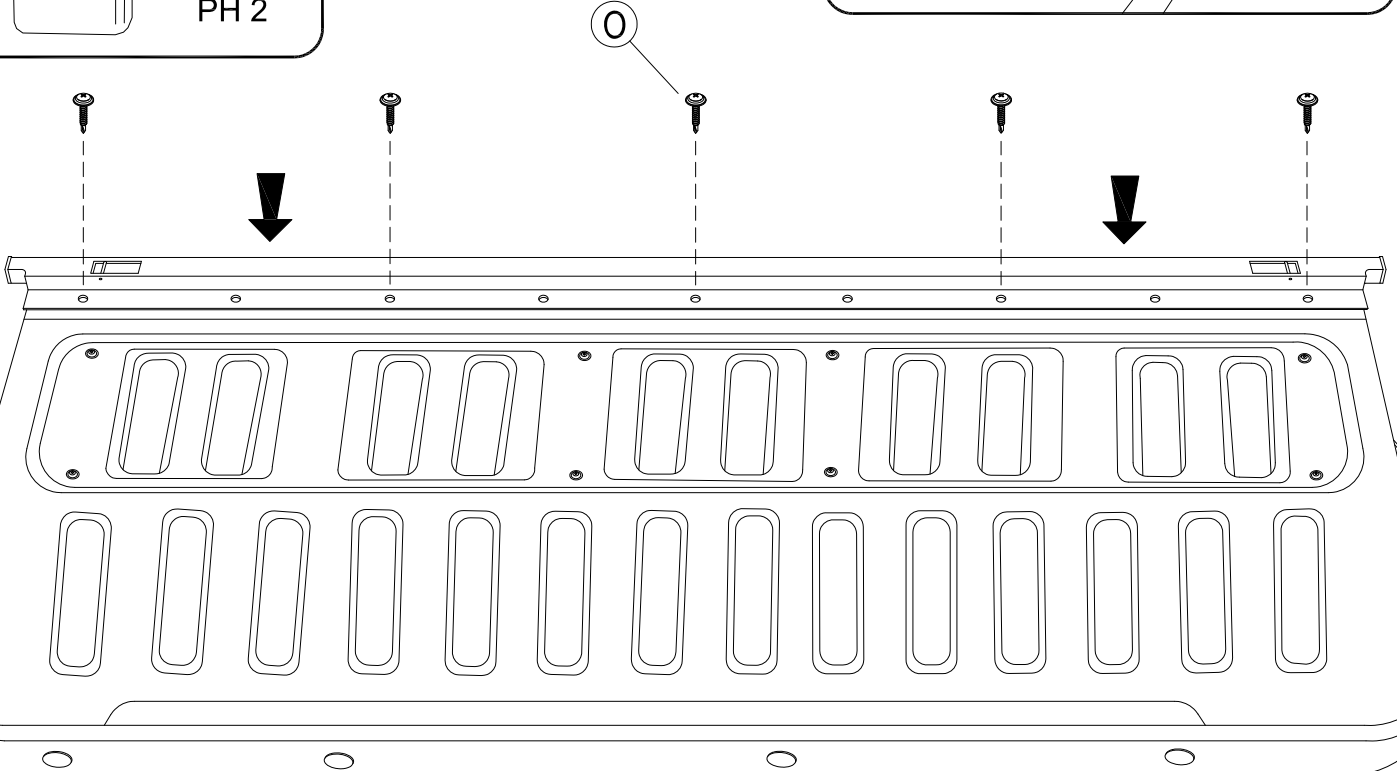
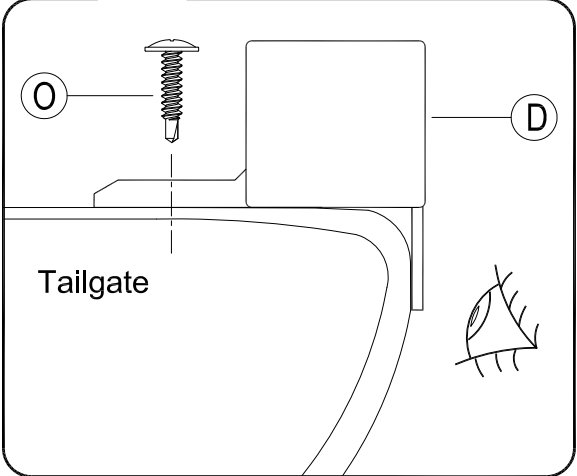
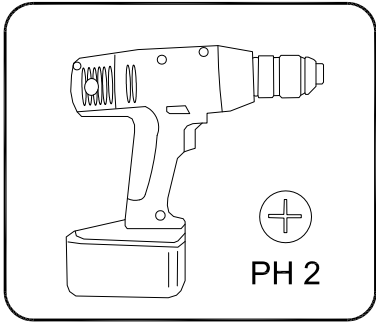
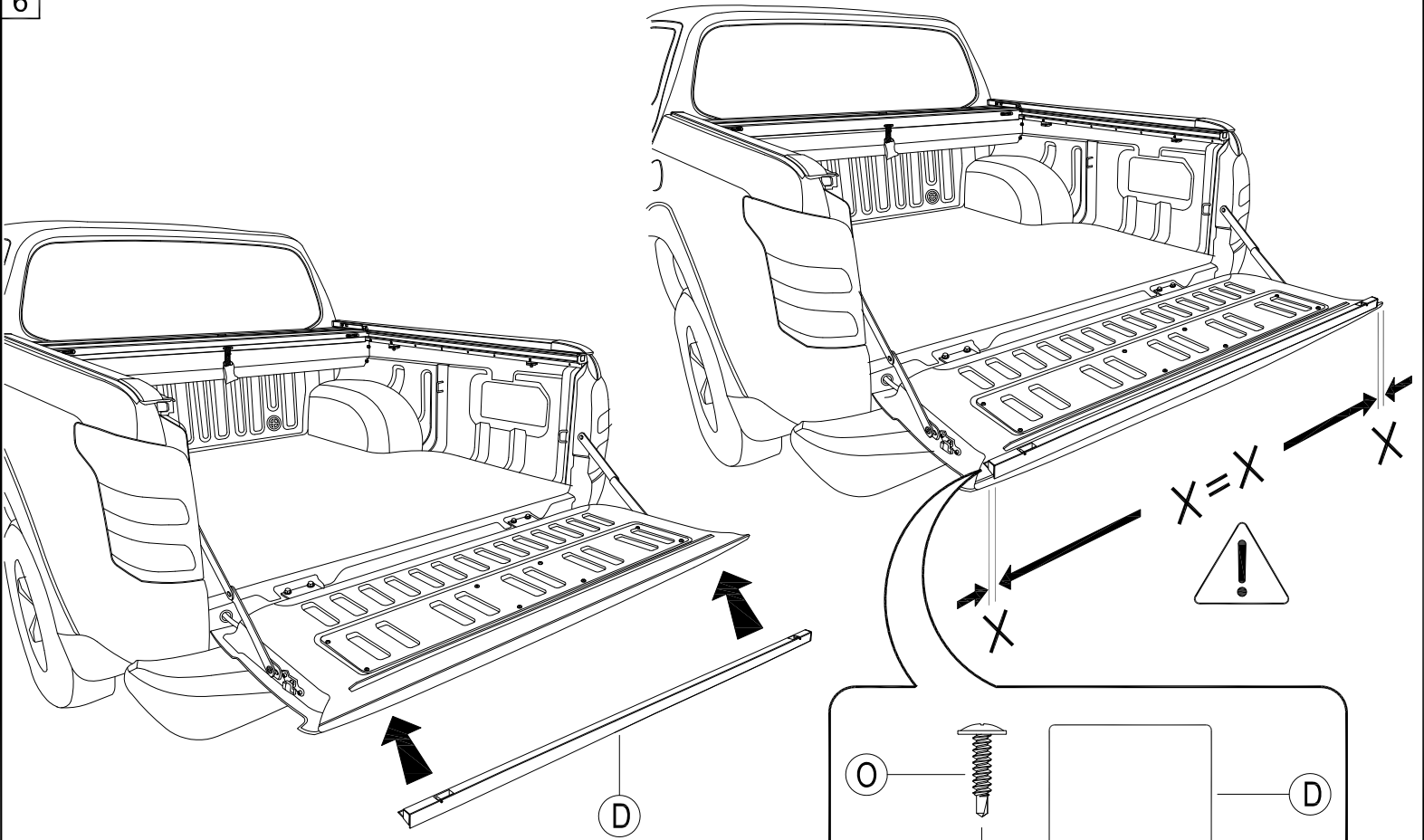


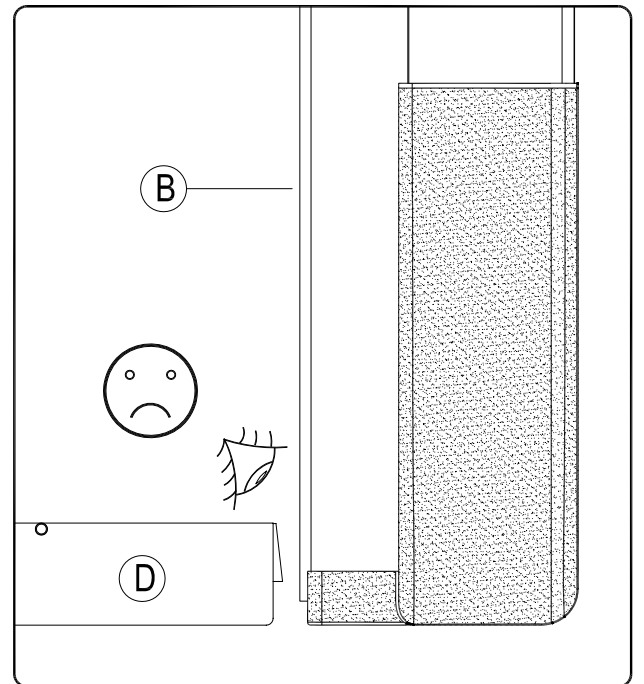
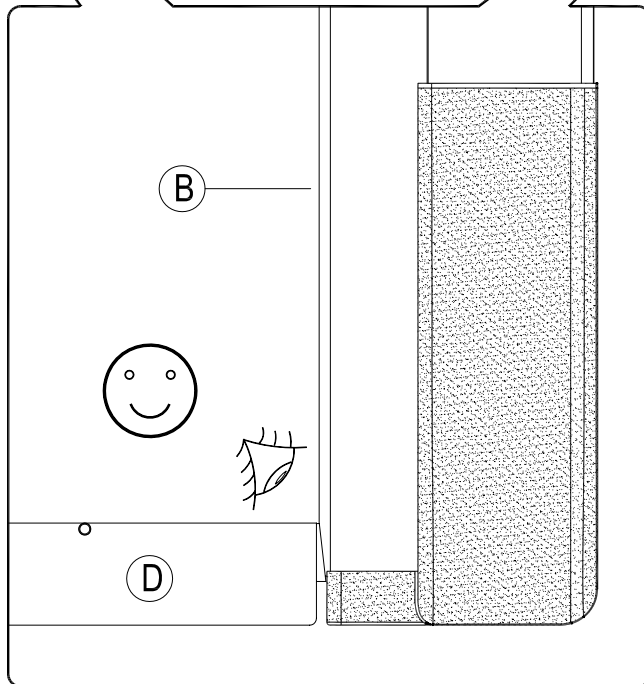
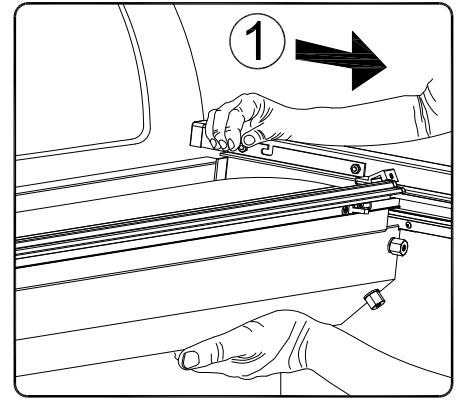
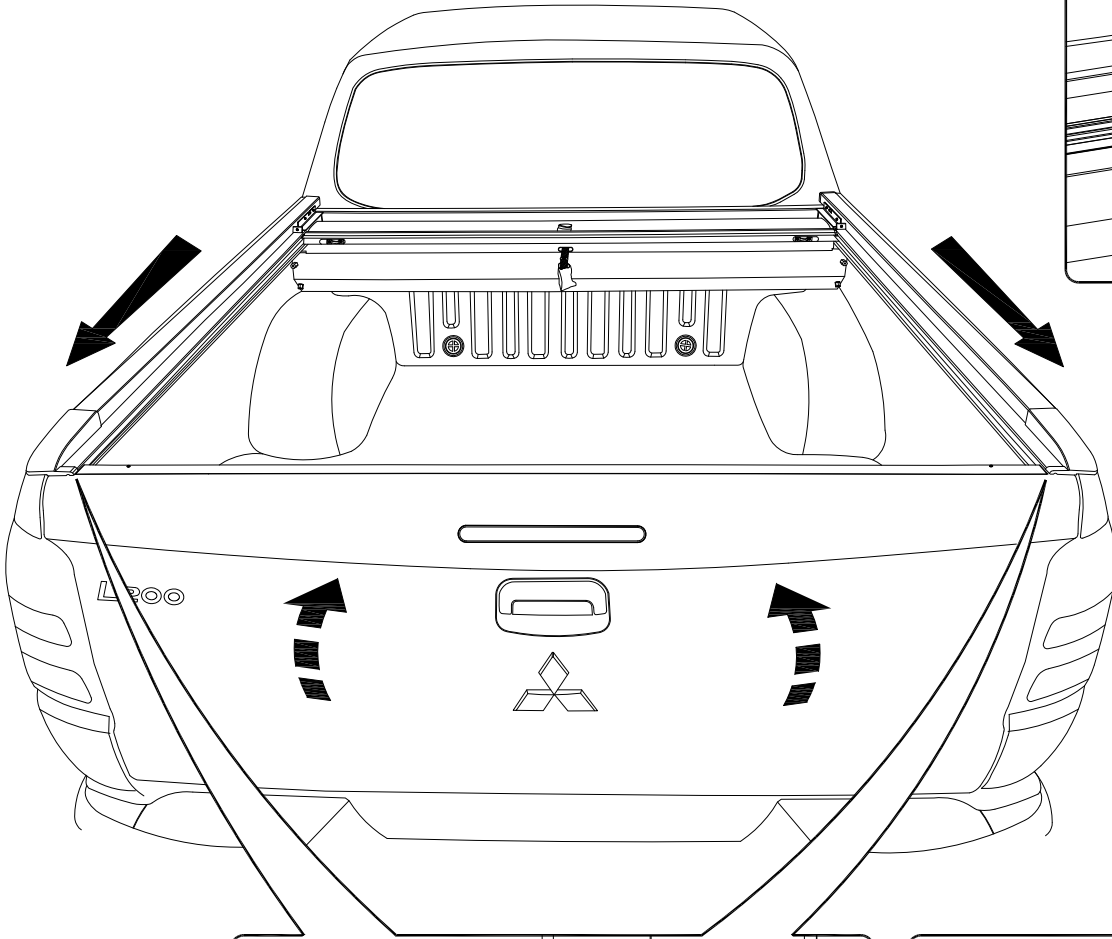
1/8" Shim

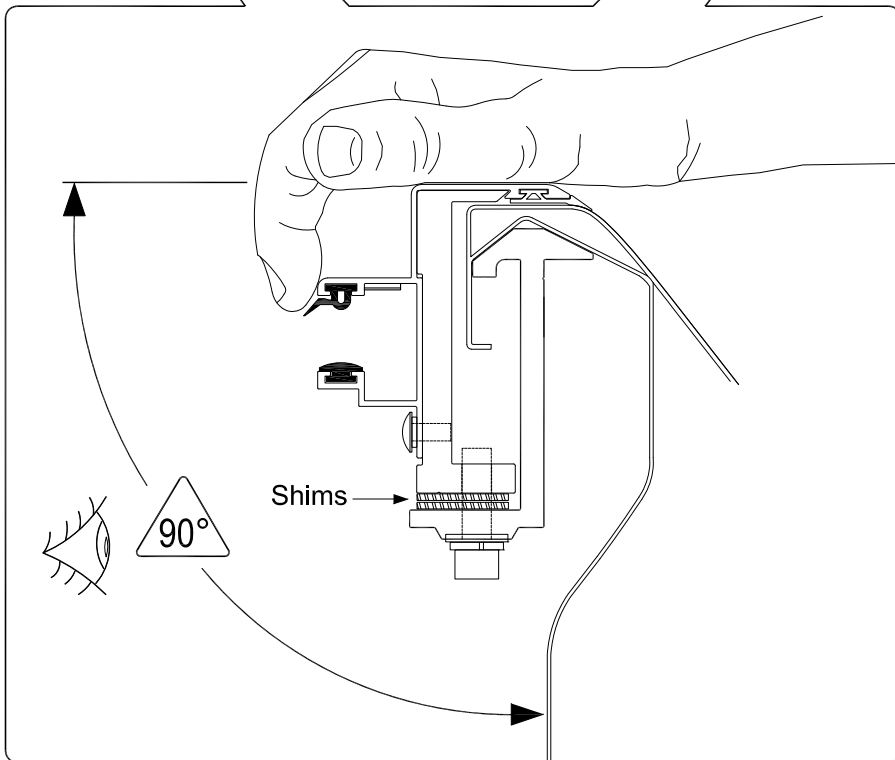
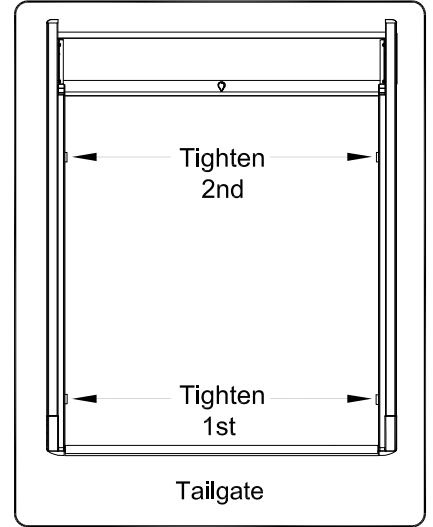
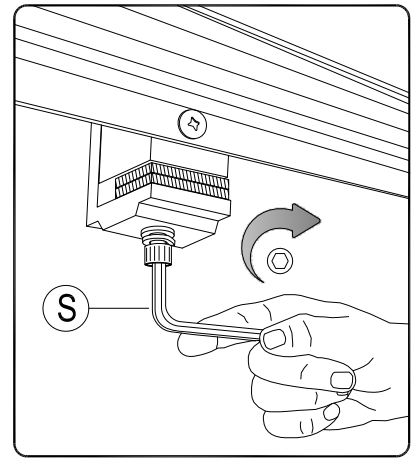
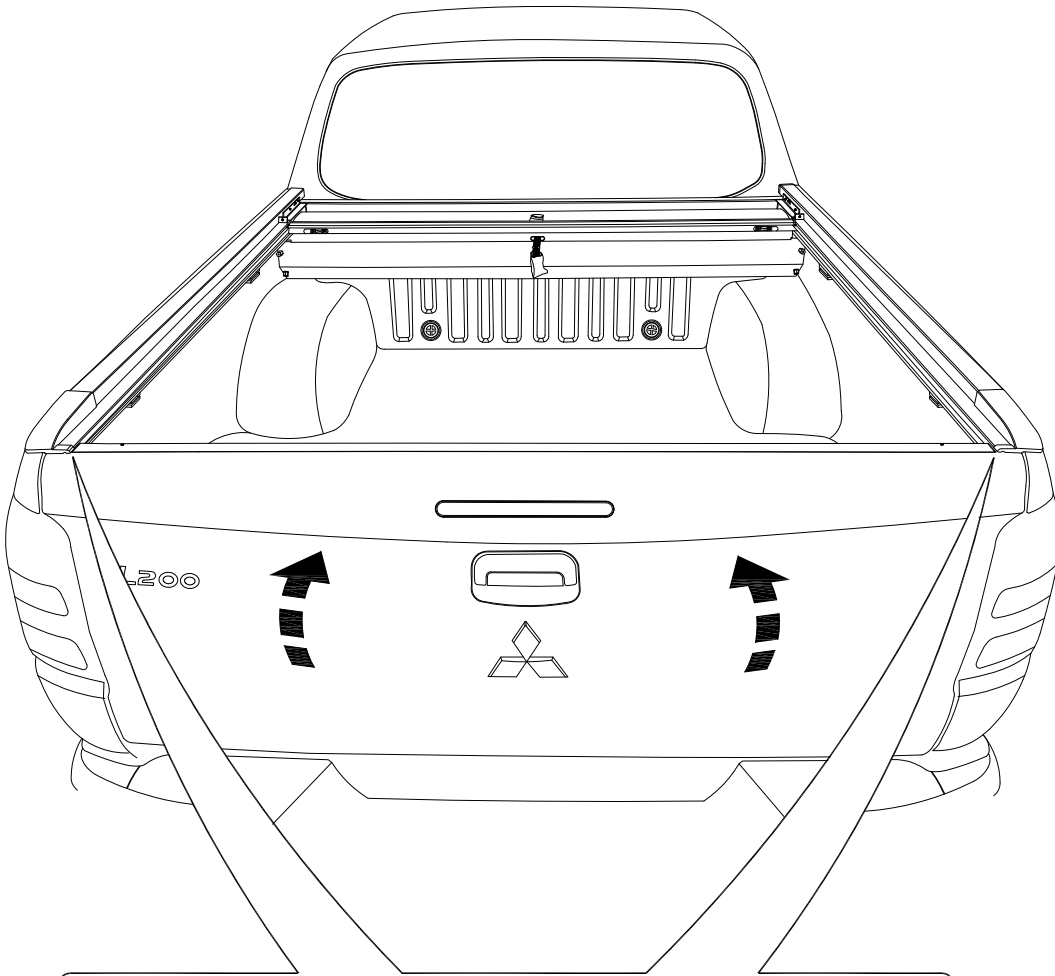
I



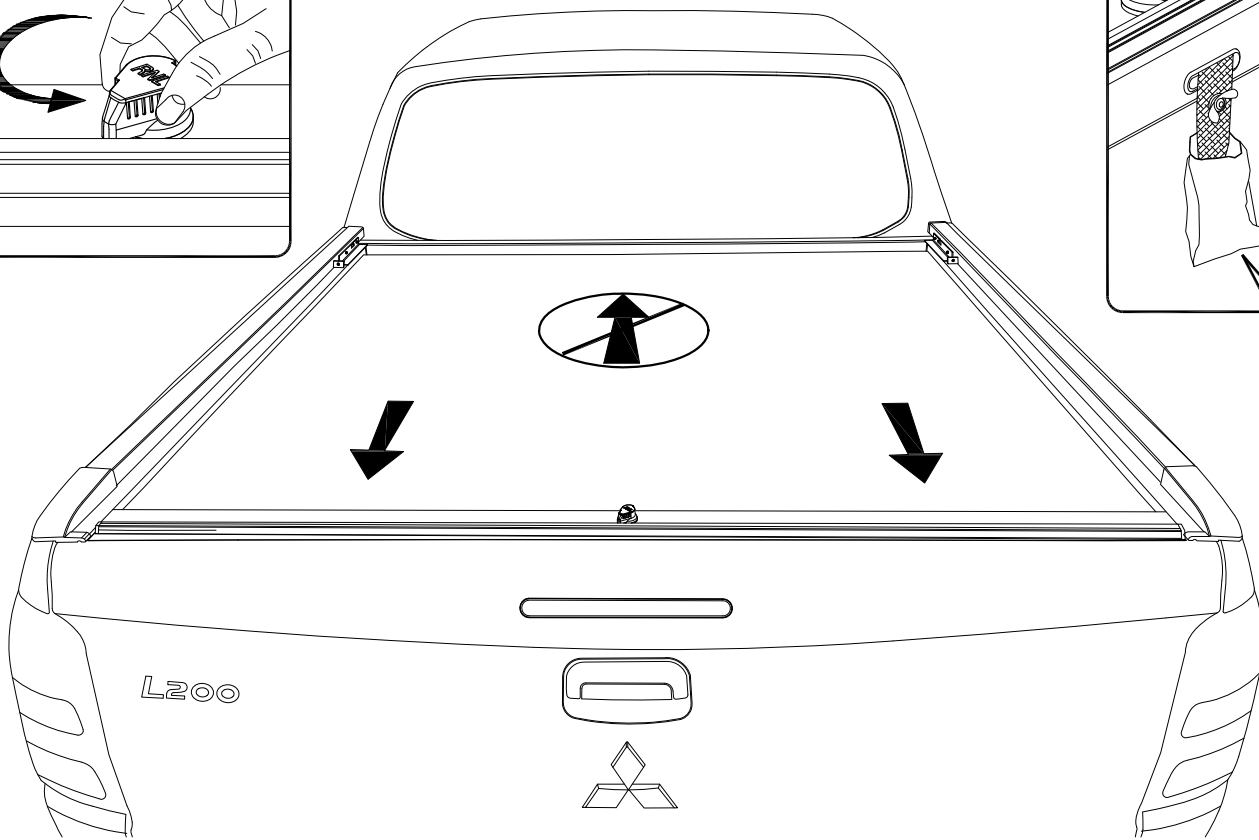
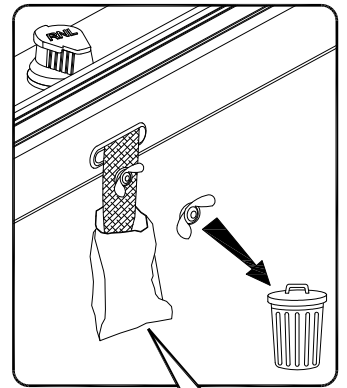
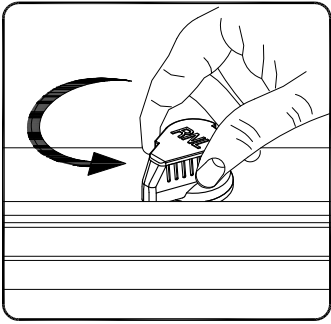
1/16" Shim



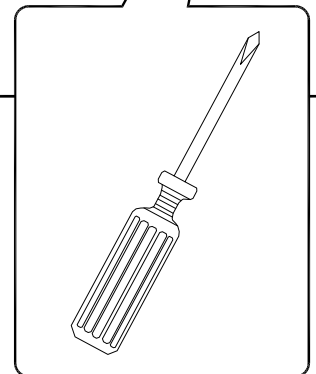
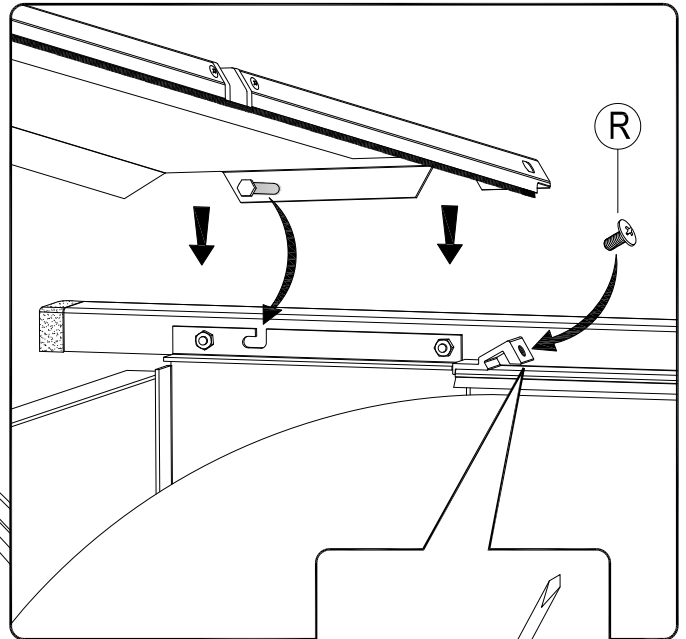
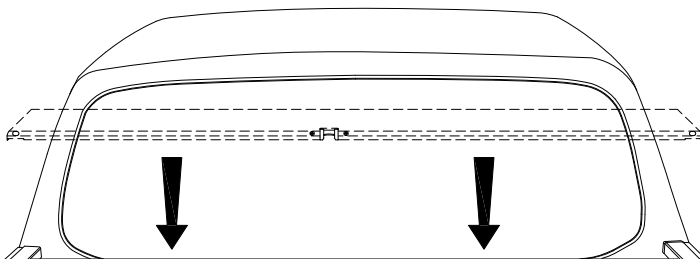




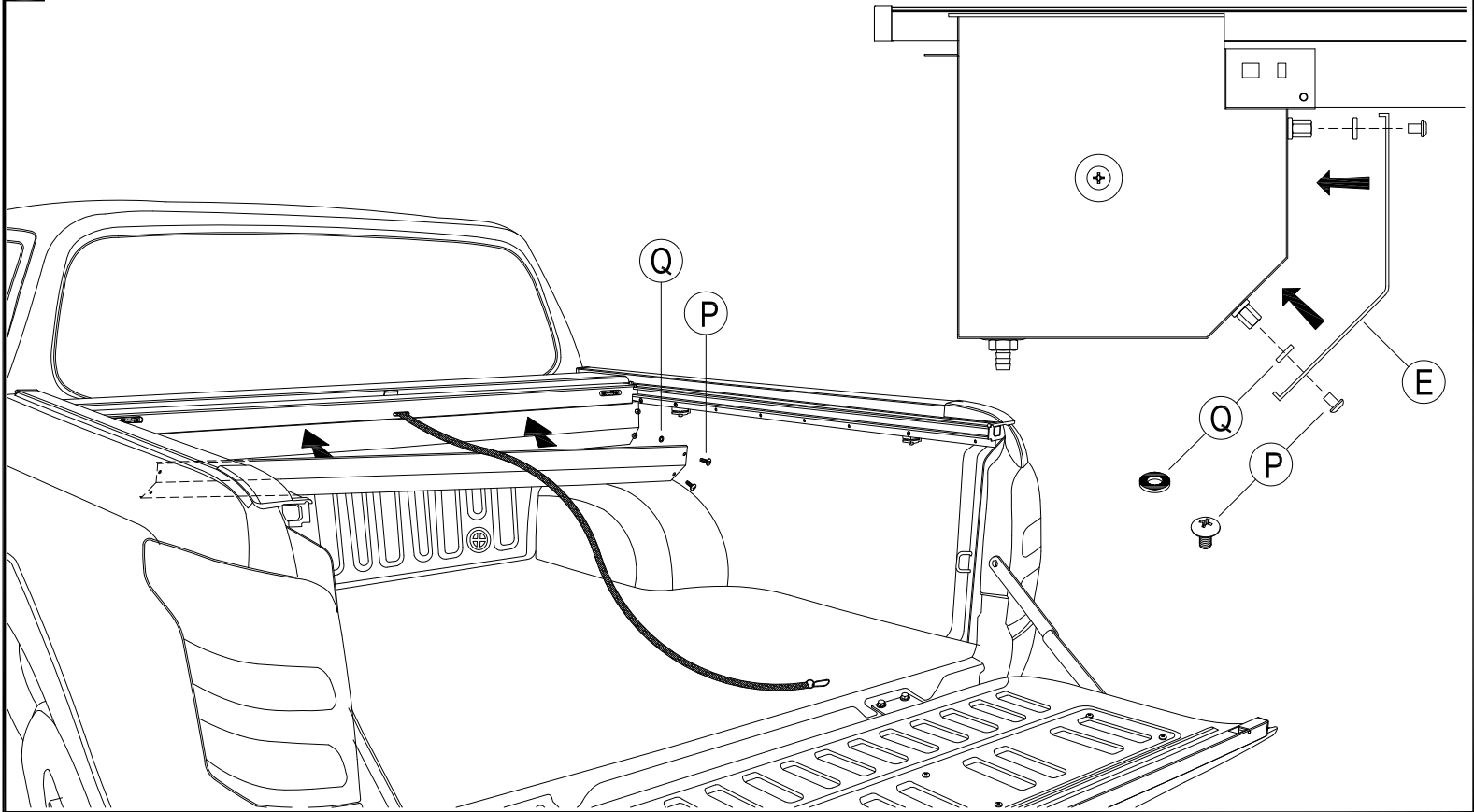
9



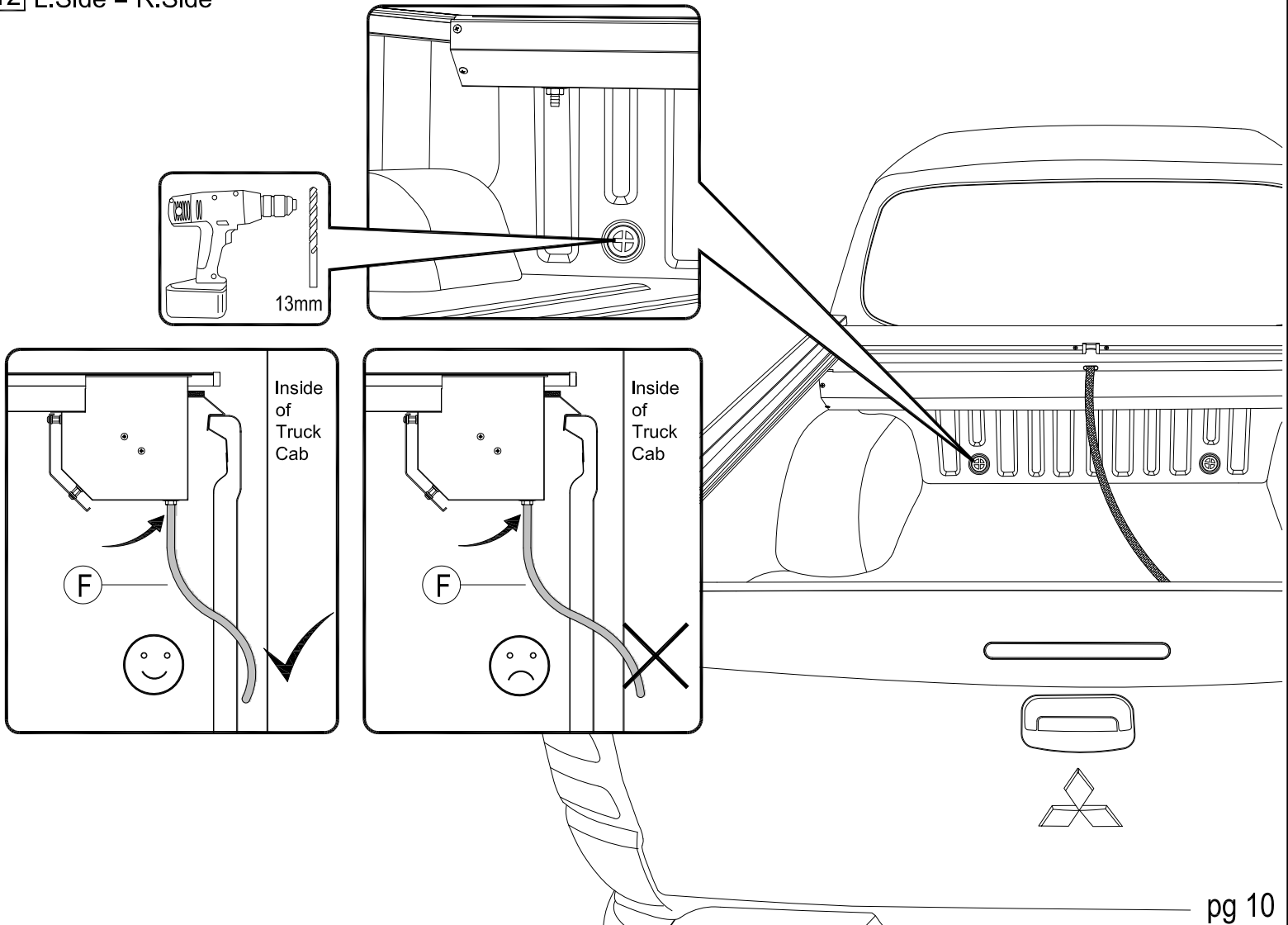
10 L.Side = R.Side



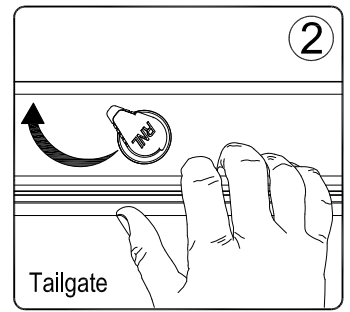
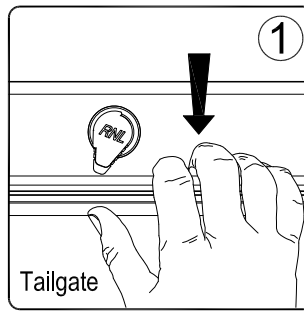
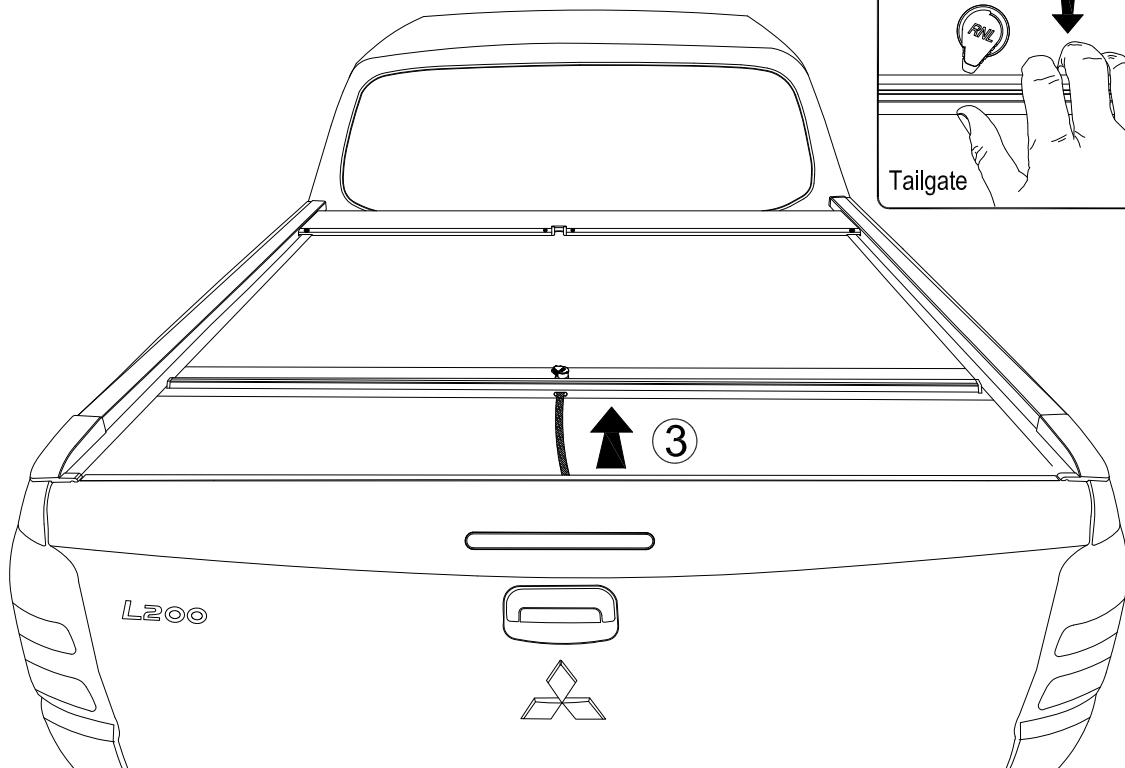
11 L.Side = R.Side



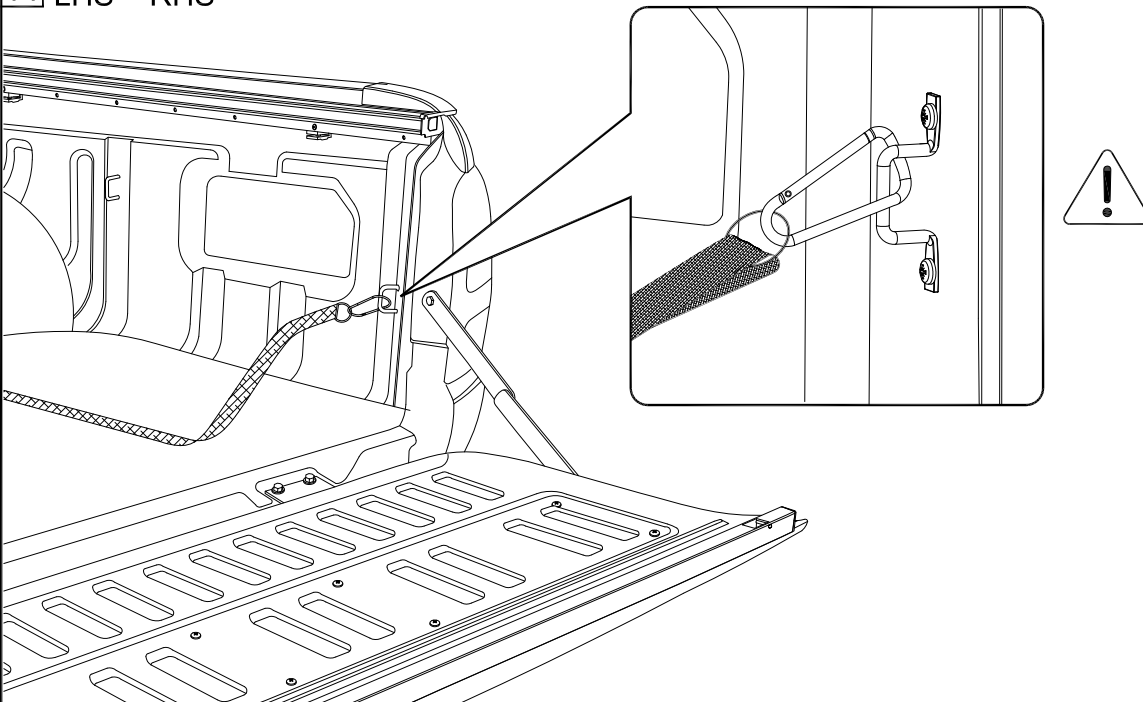
12 L.Side = R.Side



13



14 LHS = RHS



ROLL·N·LOCK®

Questions?

Please call Roll·N·Lock Customer Service
at 954-785-7655 or visit rollinlock.com